

[54] HOUSING FOR SMOKE DETECTOR OR SIMILAR ARTICLE

[76] Inventor: John L. Poesl, 1118 Cabot St., Peterborough, Ontario, Canada

[**] Term: 14 Years

[21] Appl. No.: 868,128

[22] Filed: Jan. 6, 1978

[51] Int. Cl. D10-05

[52] U.S. Cl. D10/106

[58] Field of Search D10/104, 106, 121; D13/40, 41; 340/577, 579, 584, 586, 593, 594, 628, 629, 632

[56] References Cited

U.S. PATENT DOCUMENTS

D. 75,571 6/1928 Lawrence et al. D13/40
D. 236,719 9/1975 Sparks et al. D10/106

Primary Examiner—Susan J. Lucas
Attorney, Agent, or Firm—Willis H. Taylor, Jr.

[57] CLAIM

The ornamental design for a housing for smoke detector or similar article, substantially as shown and described.

DESCRIPTION

FIG. 1 is a view in perspective of the top, front and left side of the housing for smoke detector or similar article of the present invention;

FIG. 2 is a view in elevation of the right side thereof on a reduced scale;

FIG. 3 is a bottom view thereof on a reduced scale; and,

FIG. 4 is a view in rear elevation thereof on a reduced scale.

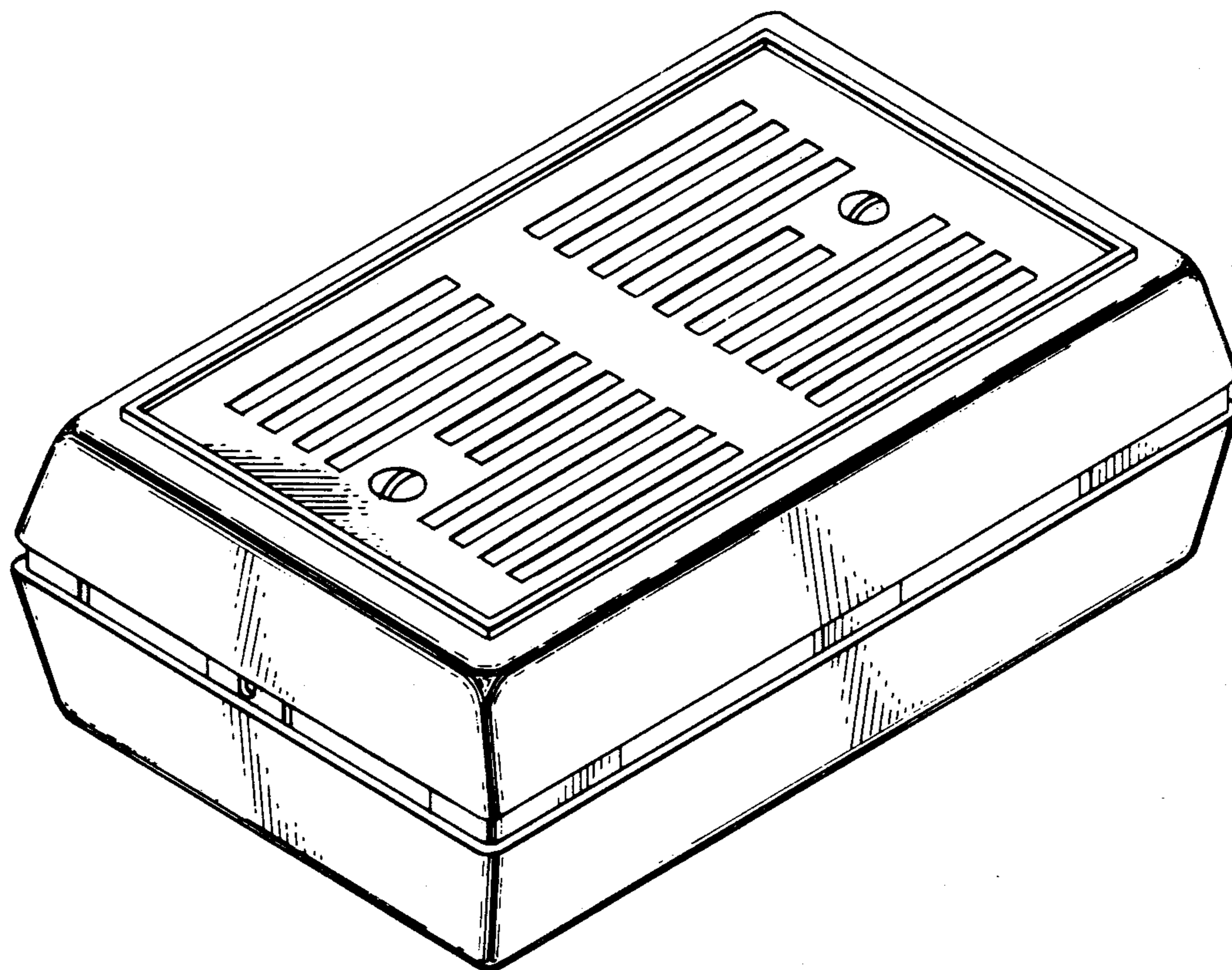


FIG. 1.

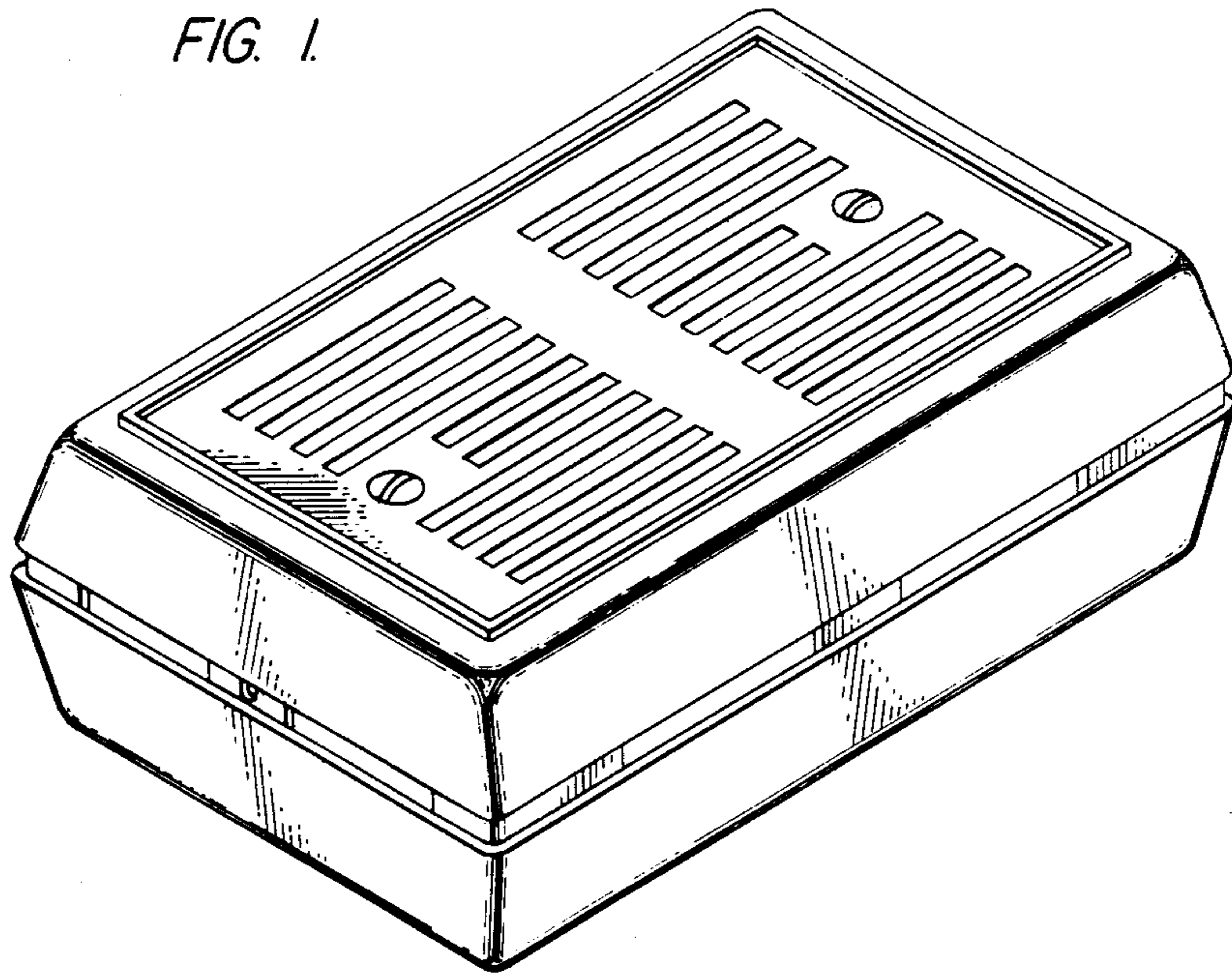


FIG. 2.

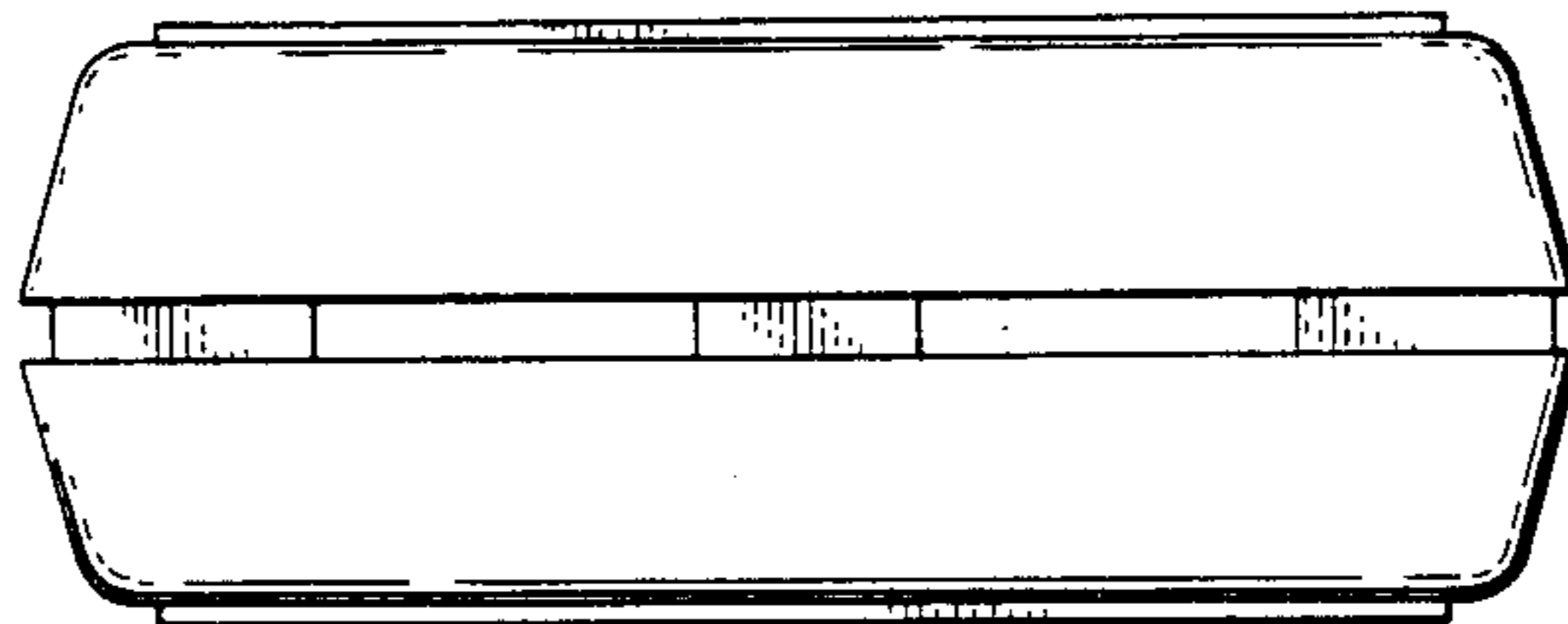


FIG. 3.

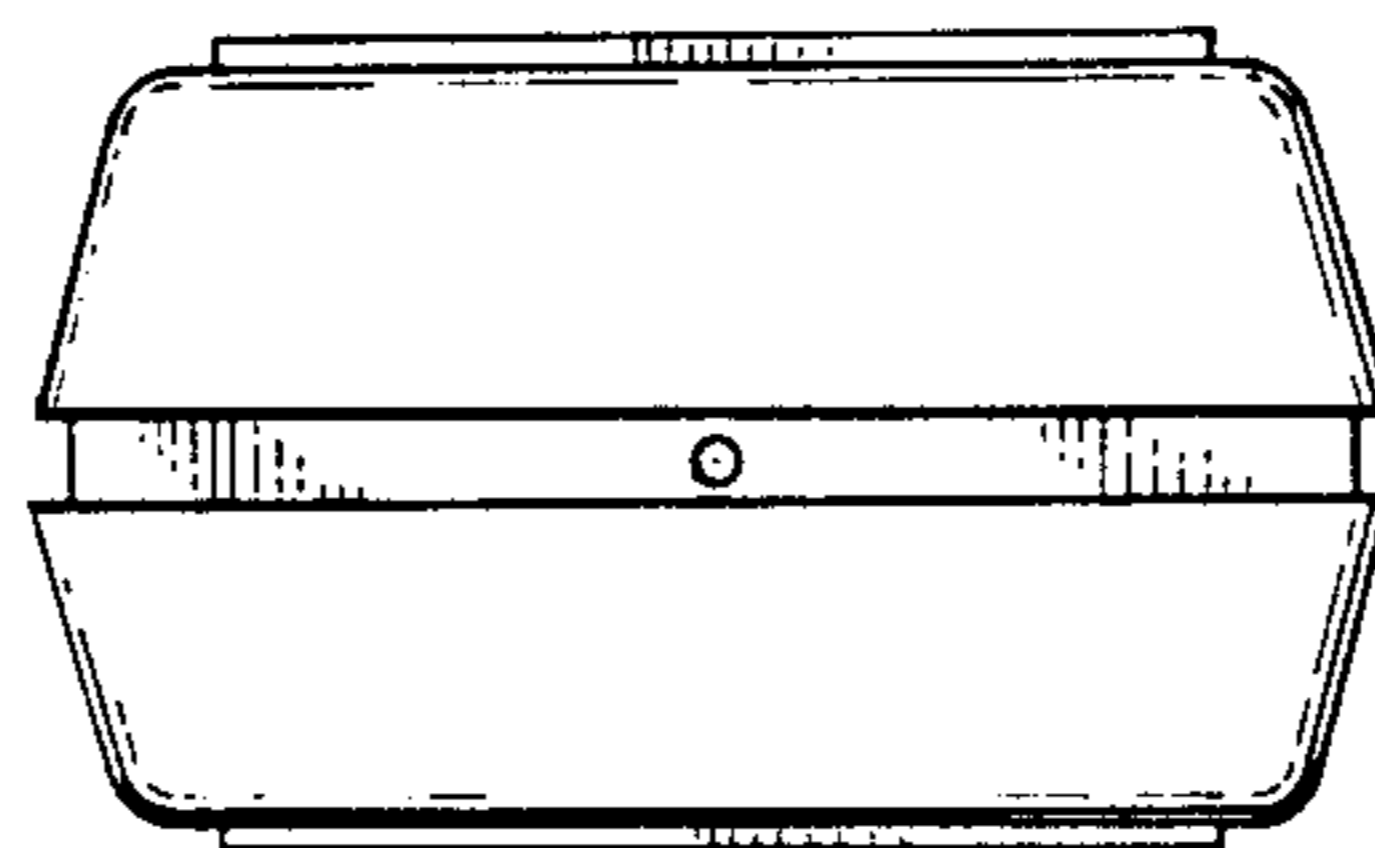


FIG. 4.

