

[54] PHARMACEUTICAL BLISTER PACKAGE

[56]

References Cited

U.S. PATENT DOCUMENTS

[75] Inventor: Eugene J. Meierhoefer, Hackettstown, N.J.  
[73] Assignee: Warner-Lambert Company, Morris Plains, N.J.

D. 201,497	6/1965	Ninger .....	D1/12 X
D. 212,150	9/1968	Caliman, Jr. ....	D9/194
D. 237,865	12/1975	Meierhoefer .....	D9/192
3,689,458	9/1972	Hellstrom .....	206/530
3,921,805	11/1975	Compere .....	206/532

Primary Examiner—Robert C. Spangler  
Attorney, Agent, or Firm—David B. Ehrlinger

[\*\*] Term: 14 Years

[57] CLAIM

[21] Appl. No.: 801,285

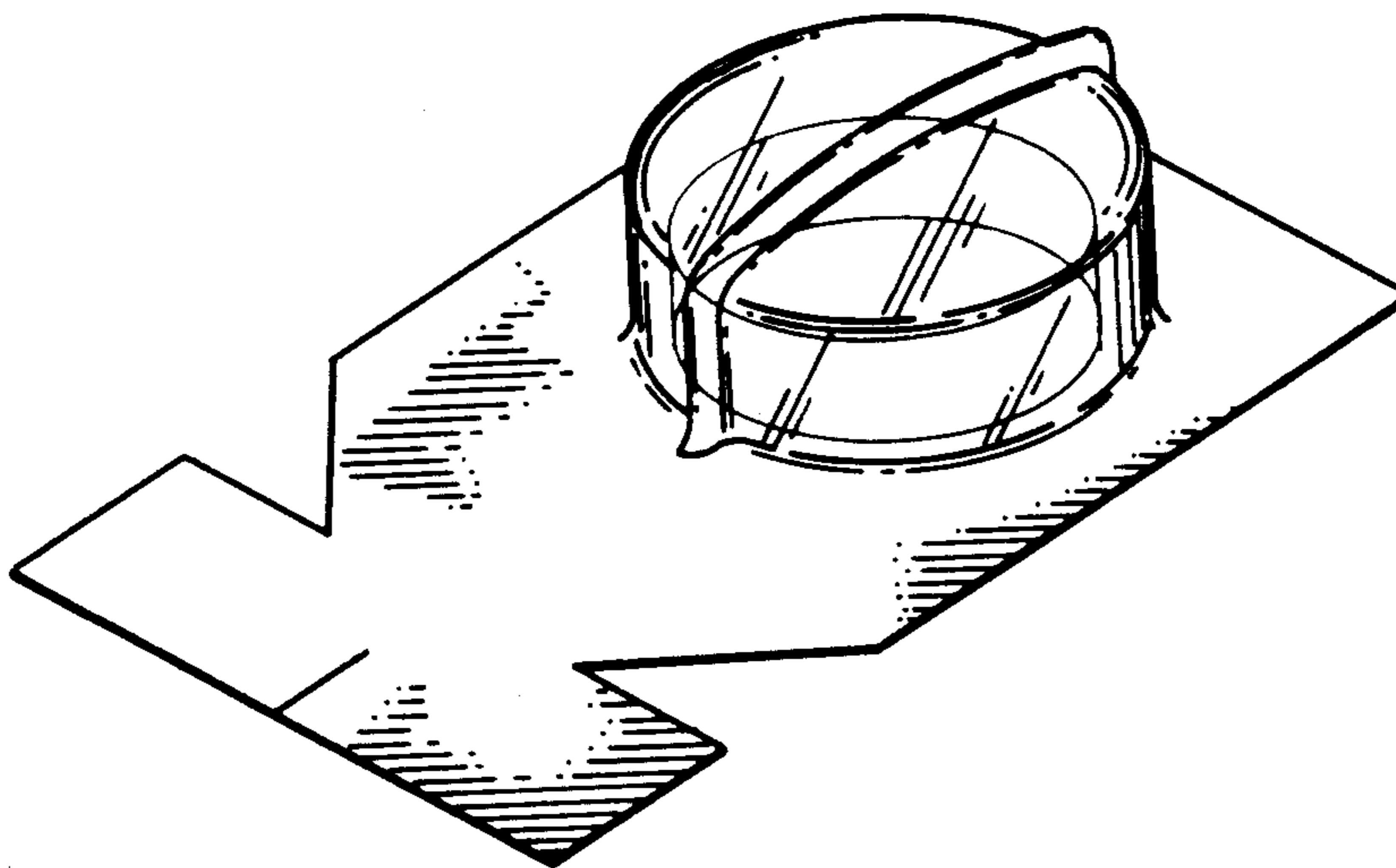
The ornamental design for a pharmaceutical blister package, substantially as shown and described.

[22] Filed: May 27, 1977

DESCRIPTION

[51] Int. Cl. .... D9—03  
[52] U.S. Cl. .... D9/192; D9/193  
[58] Field of Search ..... D28/2; D9/191-194,  
D9/182, 186; 206/528-532, 539, 460, 461, 484;  
D1/12

FIG. 1 is a top perspective view of a pharmaceutical blister package showing my new design;  
FIG. 2 is a top plan view;  
FIG. 3 is an end elevational view thereof; and  
FIG. 4 is a side elevational view thereof.  
The bottom is plain and unornamented but has the slit seen in FIGS. 1 and 2.



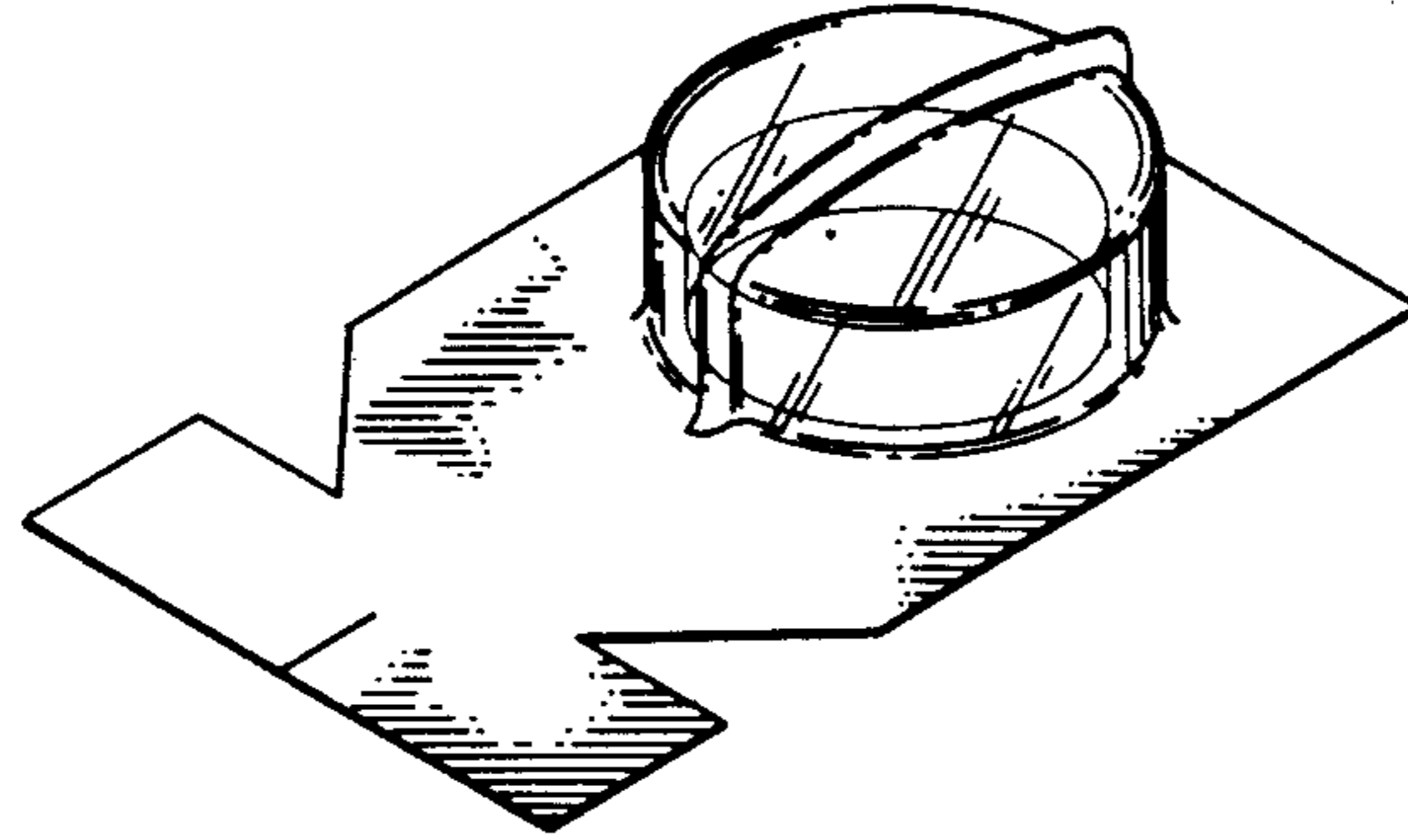


FIG. 1

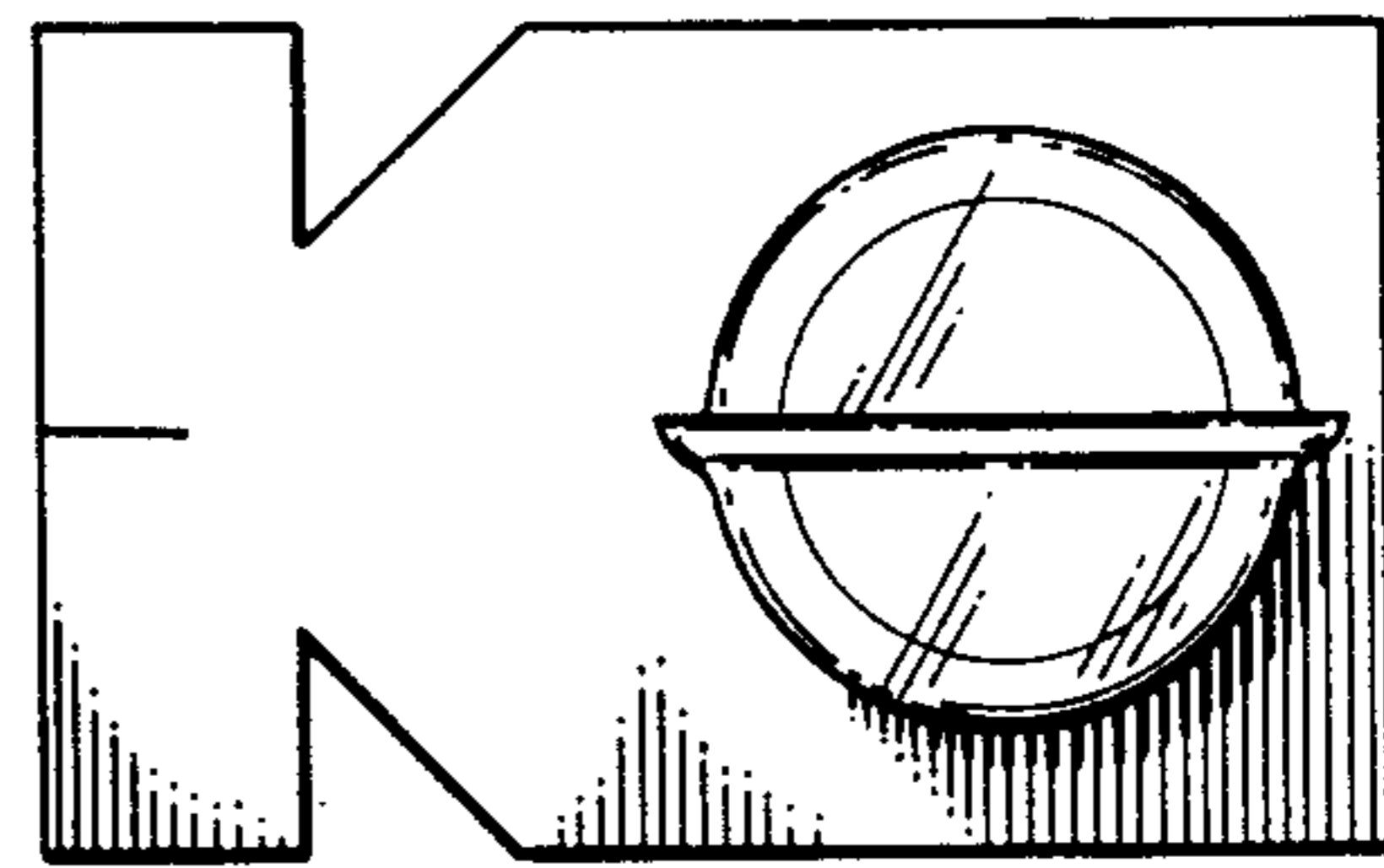


FIG. 2



FIG. 3



FIG. 4