

[54] **STACKABLE ART EASEL**
 [76] Inventor: **Dorothea L. Dubler**, 250 N. Stetson Park Dr., Deland, Fla. 32720
 [**] Term: **14 Years**
 [21] Appl. No.: **827,382**
 [22] Filed: **Aug. 24, 1977**
 [51] Int. Cl. **D6-99**
 [52] U.S. Cl. **D6/180; D6/184; D19/91**
 [58] **Field of Search** D6/180, 181, 186, 184, D6/188, 157; 248/441, 450, 454, 459, 460, 449; D19/91

D. 181,693	12/1957	Tichnor	D6/181
1,313,257	8/1919	Carlson	D6/186 X
2,783,061	2/1957	Owen	D6/180 X
3,121,576	2/1964	Schade	248/441 X
3,190,603	6/1965	Finnemann	248/450

Primary Examiner—Bruce W. Dunkins
Attorney, Agent, or Firm—George H. Baldwin

[57] **CLAIM**

The ornamental design for a stackable art easel, as shown and described.

DESCRIPTION

FIG. 1 is a perspective view of a stackable art easel showing my new design;
 FIG. 2 is a front elevational view thereof;
 FIG. 3 is a top plan view thereof; and
 FIG. 4 is a bottom plan view thereof.
 The rear of the easel is the same in appearance as the front shown in FIG. 2.

[56] **References Cited**
U.S. PATENT DOCUMENTS
 D. 59,607 11/1921 Spencer D6/180
 D. 143,066 12/1945 Gallaher D6/181

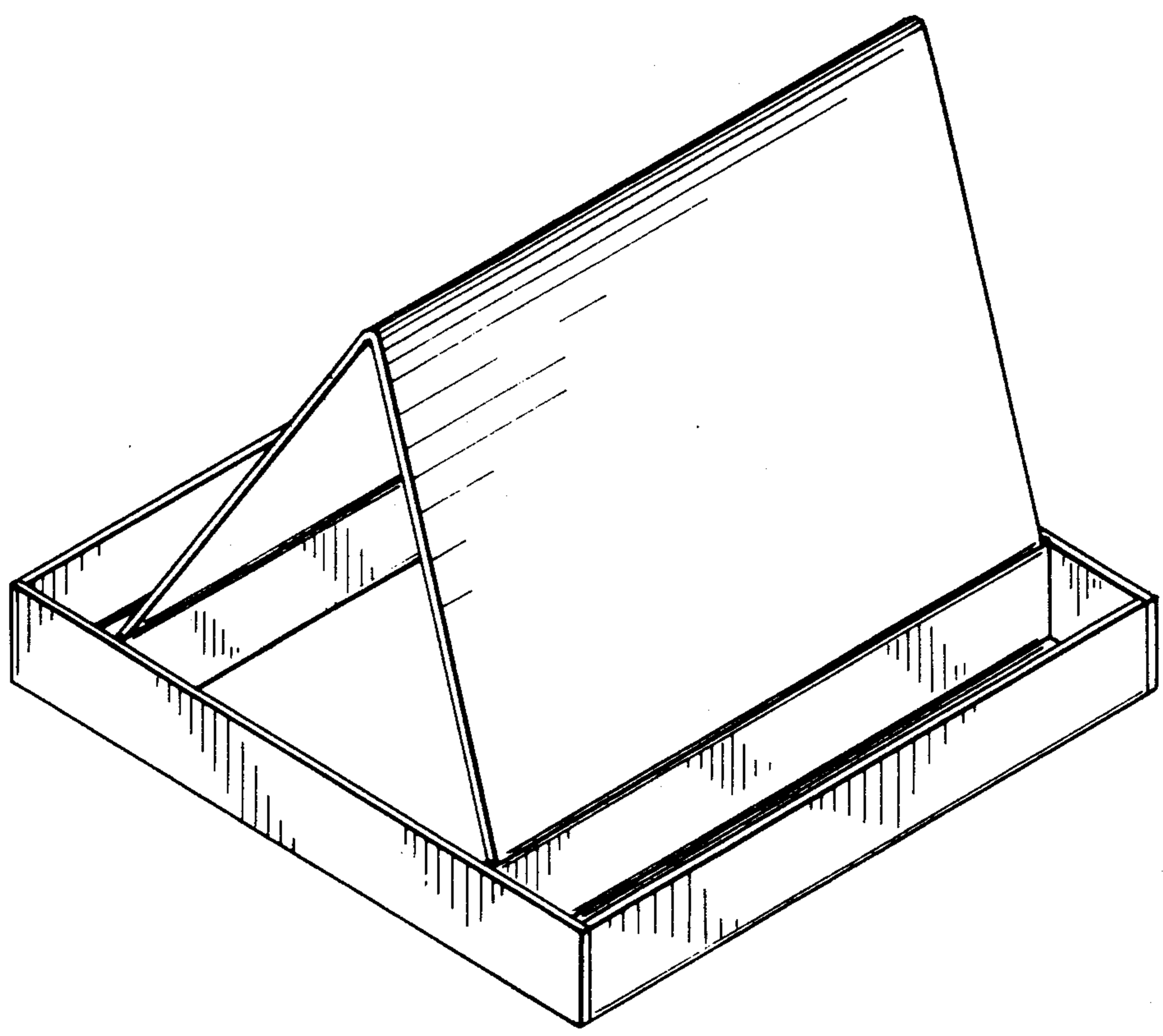


FIG. 1

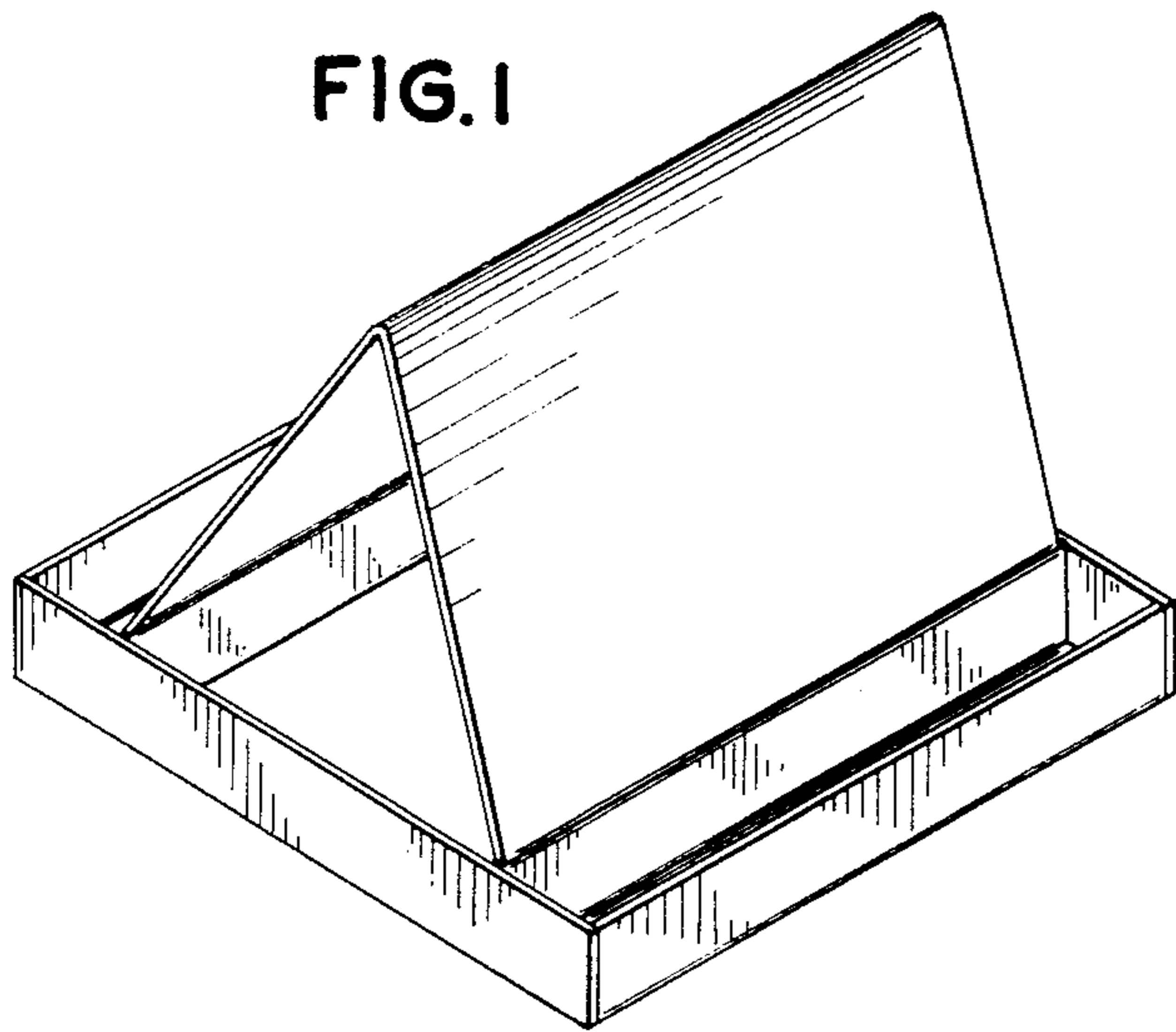


FIG. 2

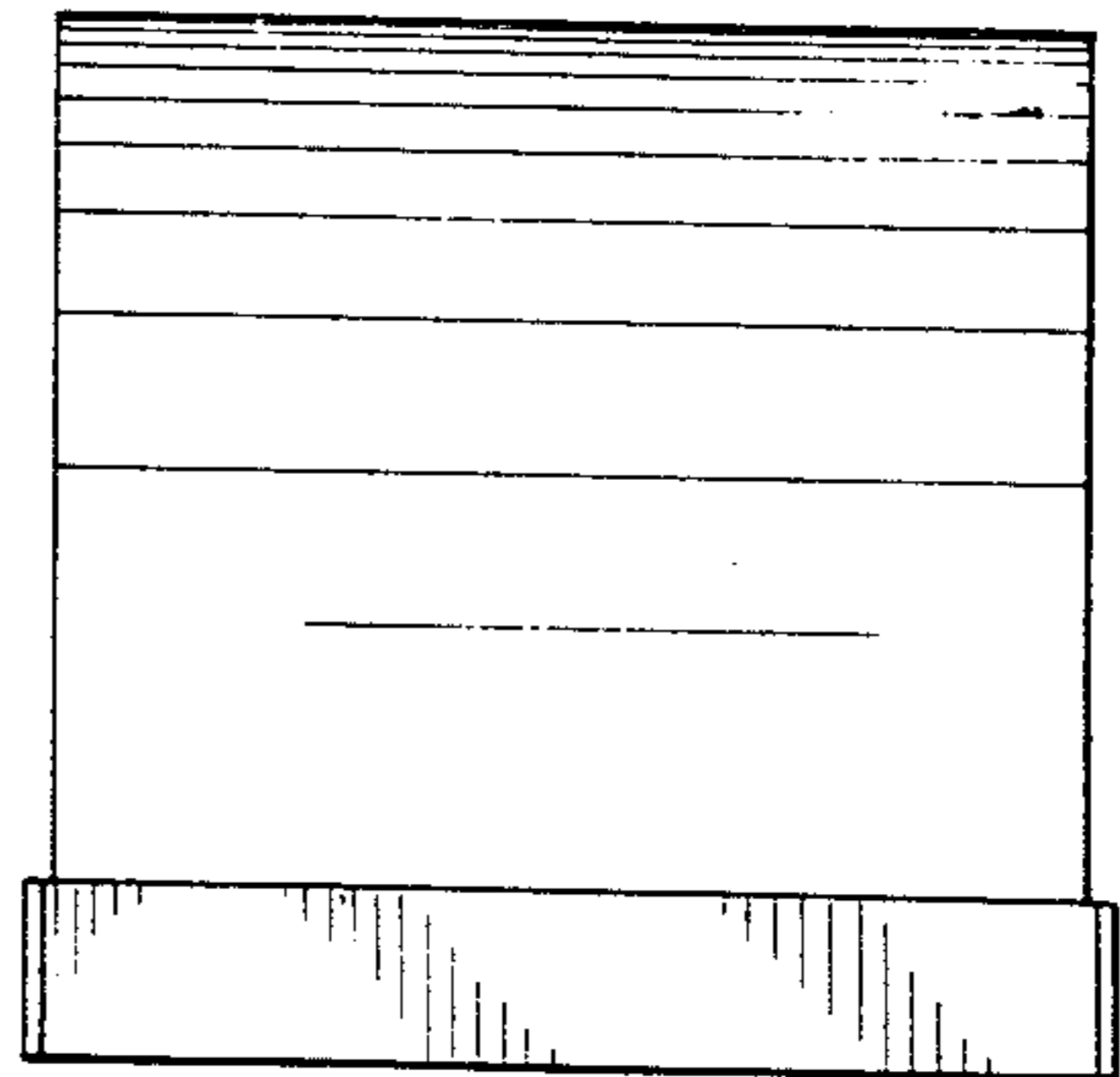


FIG. 3

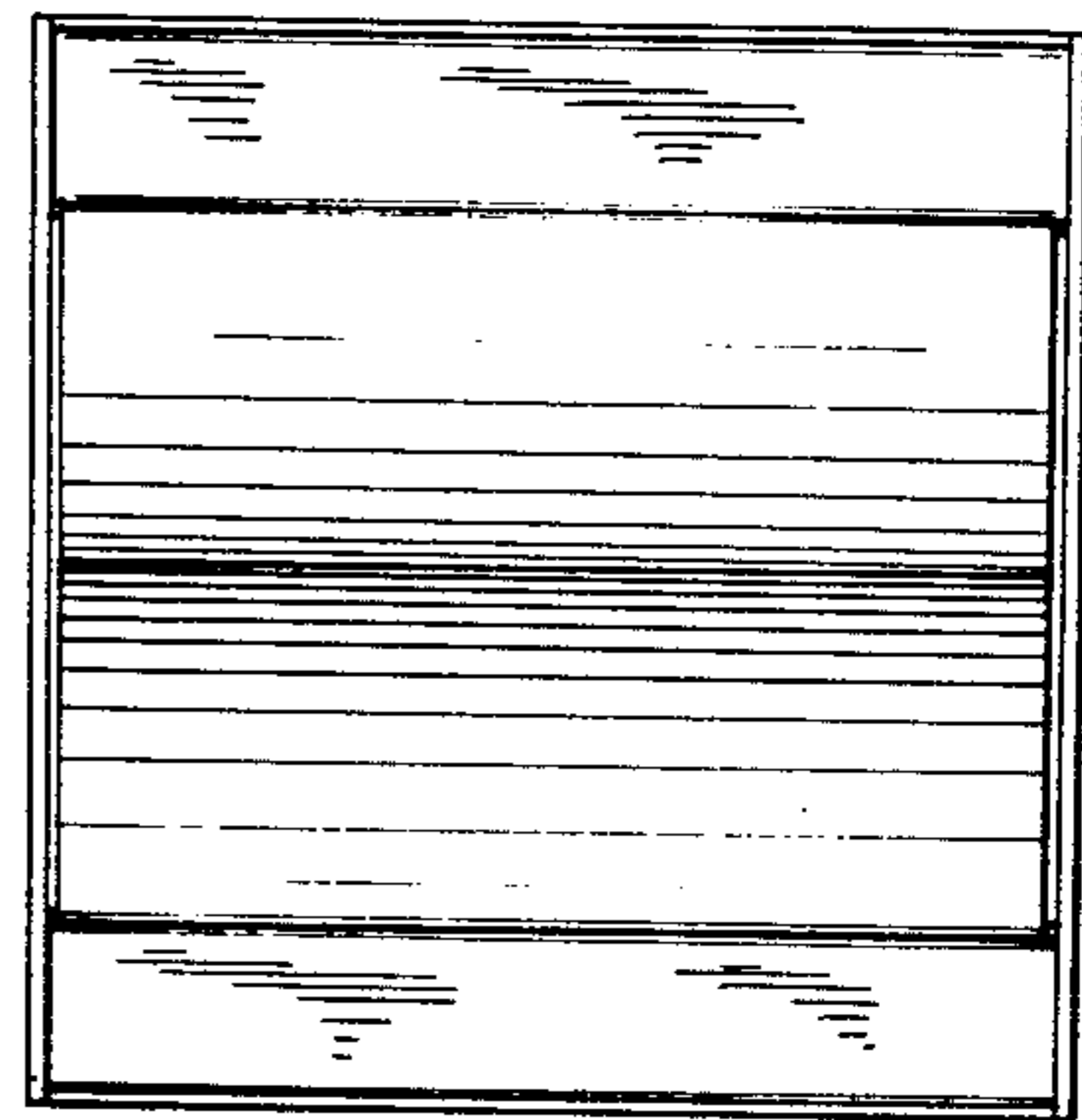


FIG. 4

