

[54] **SKI EQUIPMENT HOLDER**

[75] Inventor: **Ronald H. Brink**, Ogdensburg, N.Y.

[73] Assignee: **Northern Manufacturers**, Canton, N.Y.

[\*\*] Term: **14 Years**

[21] Appl. No.: **878,929**

[22] Filed: **Feb. 17, 1978**

[51] Int. Cl. .... **D6-04**

[52] U.S. Cl. .... **D6/125; D6/114**

[58] **Field of Search** ..... **D6/112, 114, 116, 120, D6/124, 125, 129, 130, 134, 136, 137; D8/363, 366, 373, 380, 381; 211/60 R, 60 SK, 87, 90, 100; 248/309 R, 310, 311.1, 312, 315**

[56] **References Cited**

**U.S. PATENT DOCUMENTS**

D. 132,368	5/1942	Jorgensen	.....	D6/137
D. 164,956	10/1951	Price	.....	D6/116
2,430,571	11/1947	Johnson	.....	211/100
2,956,812	10/1960	Lundquist	.....	211/60 SK

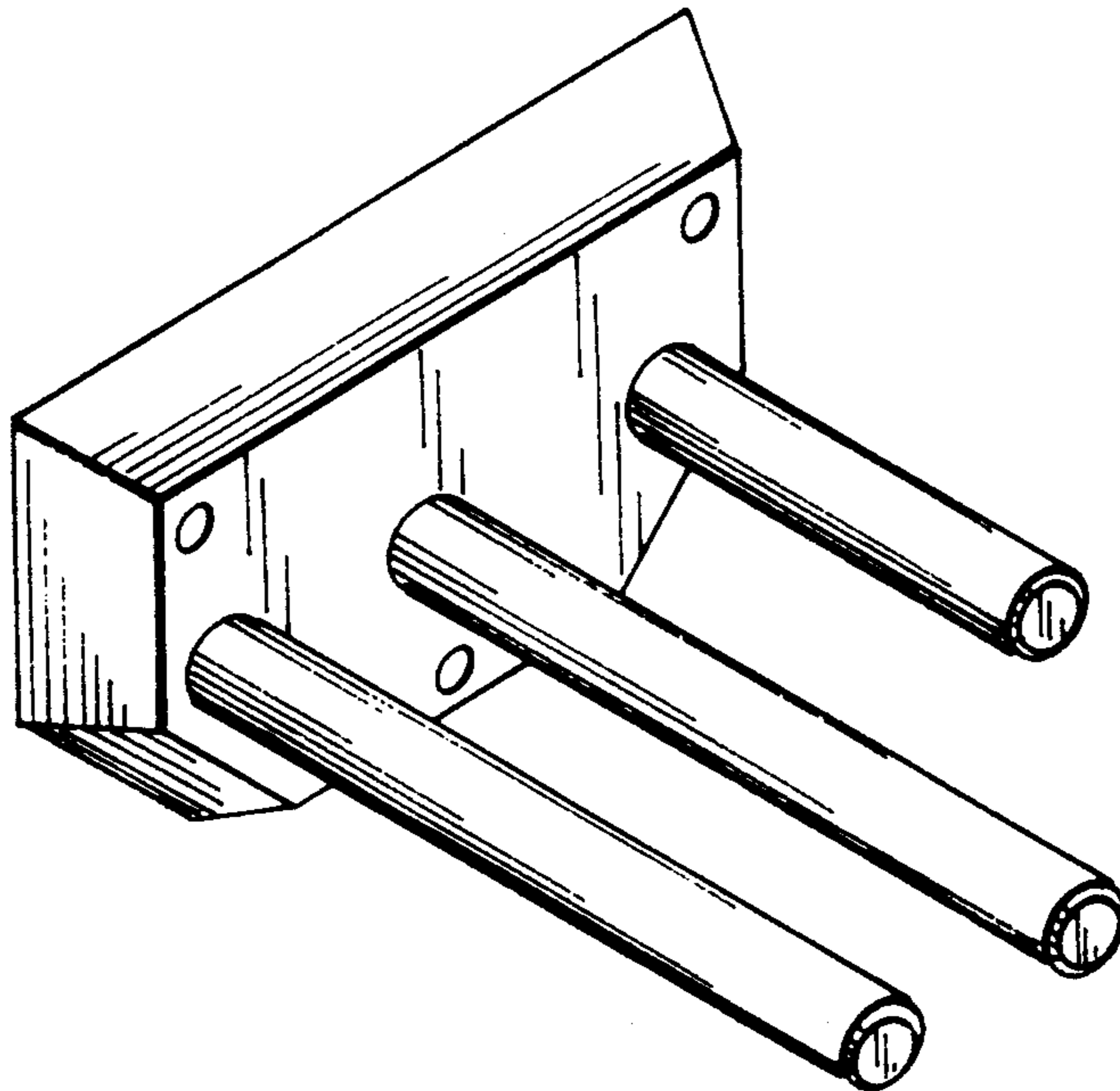
*Primary Examiner*—Bernard Ansher  
*Assistant Examiner*—B. J. Bullock  
*Attorney, Agent, or Firm*—Richard Von K. Bruns

[57] **CLAIM**

The ornamental design for a ski equipment holder, as shown and described.

**DESCRIPTION**

FIG. 1 is a front perspective view of a ski equipment holder embodying my new design;  
FIG. 2 is a front elevation thereof;  
FIG. 3 is a rear elevation showing the walls and the ribbing thereof wherein the walls and ribs are of uniform thickness throughout;  
FIG. 4 is a top plan view thereof;  
FIG. 5 is a bottom plan view thereof;  
FIG. 6 is a side elevational view taken from the left of FIG. 1 shown at a 90° angle;  
FIG. 7 is a side elevational view taken from the right of FIG. 1 shown at a 90° angle.  
FIG. 8 is a sectional view taken along line 8—8 in FIG. 2.



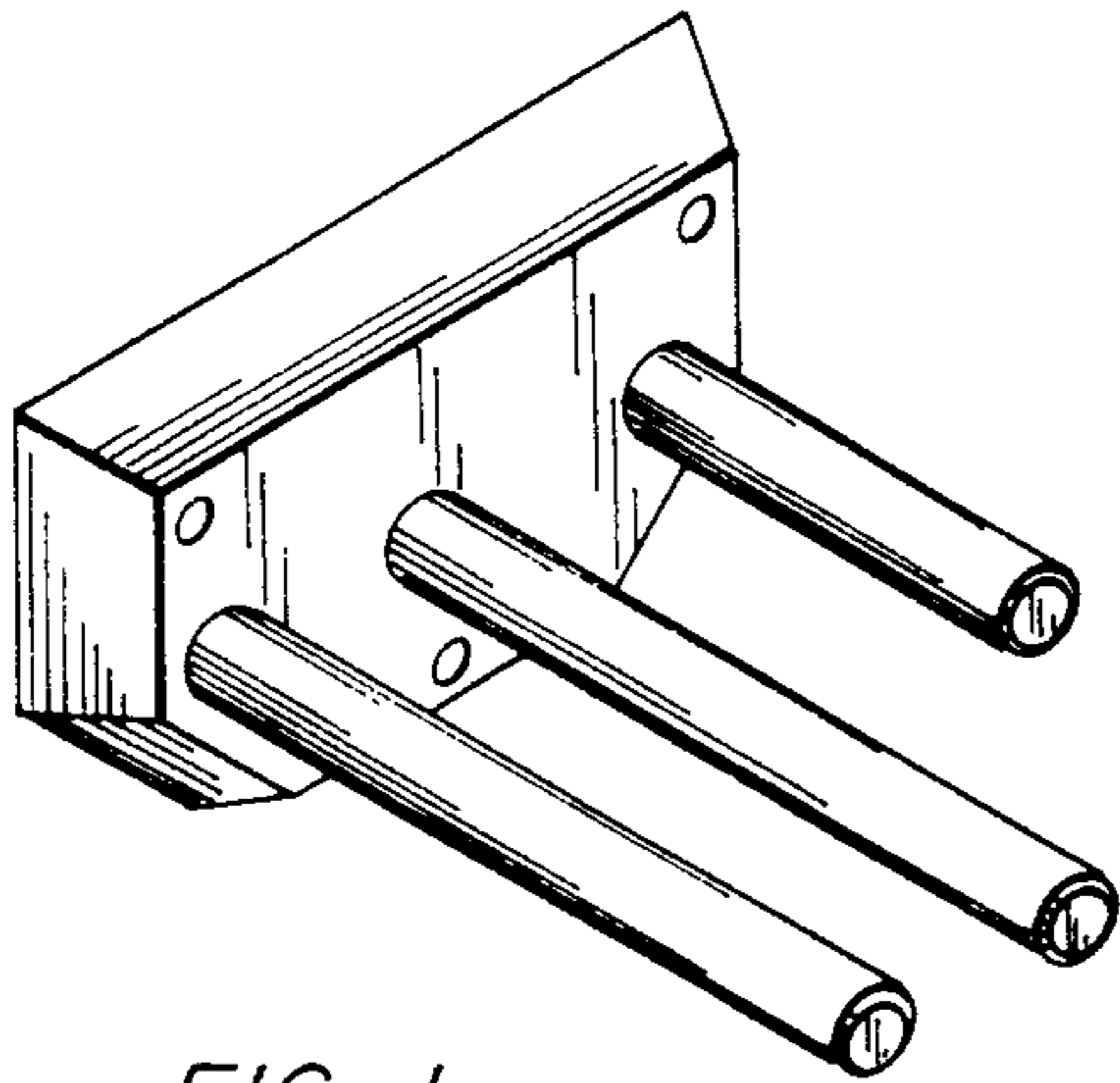


FIG. 1

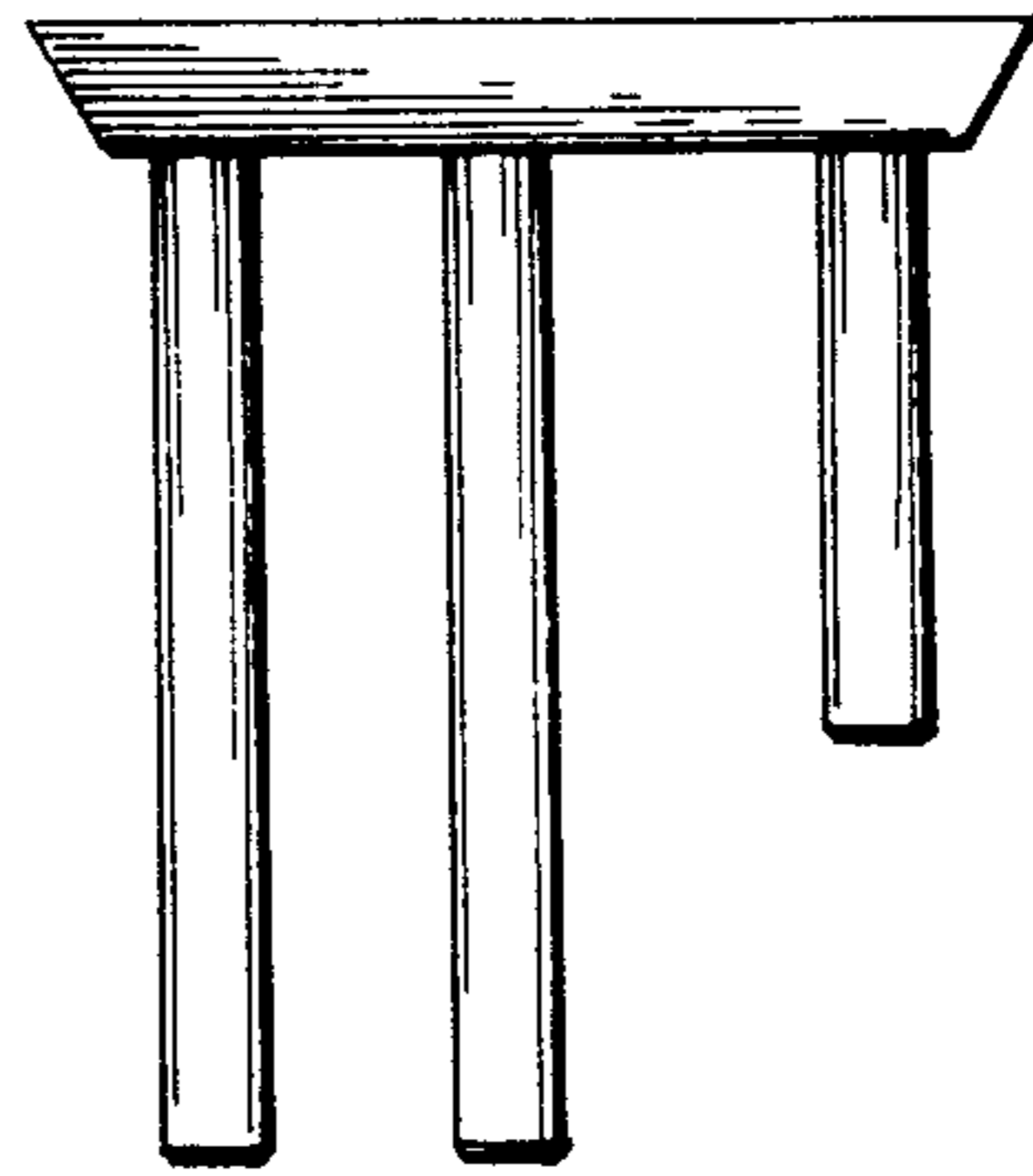


FIG. 4



FIG. 8

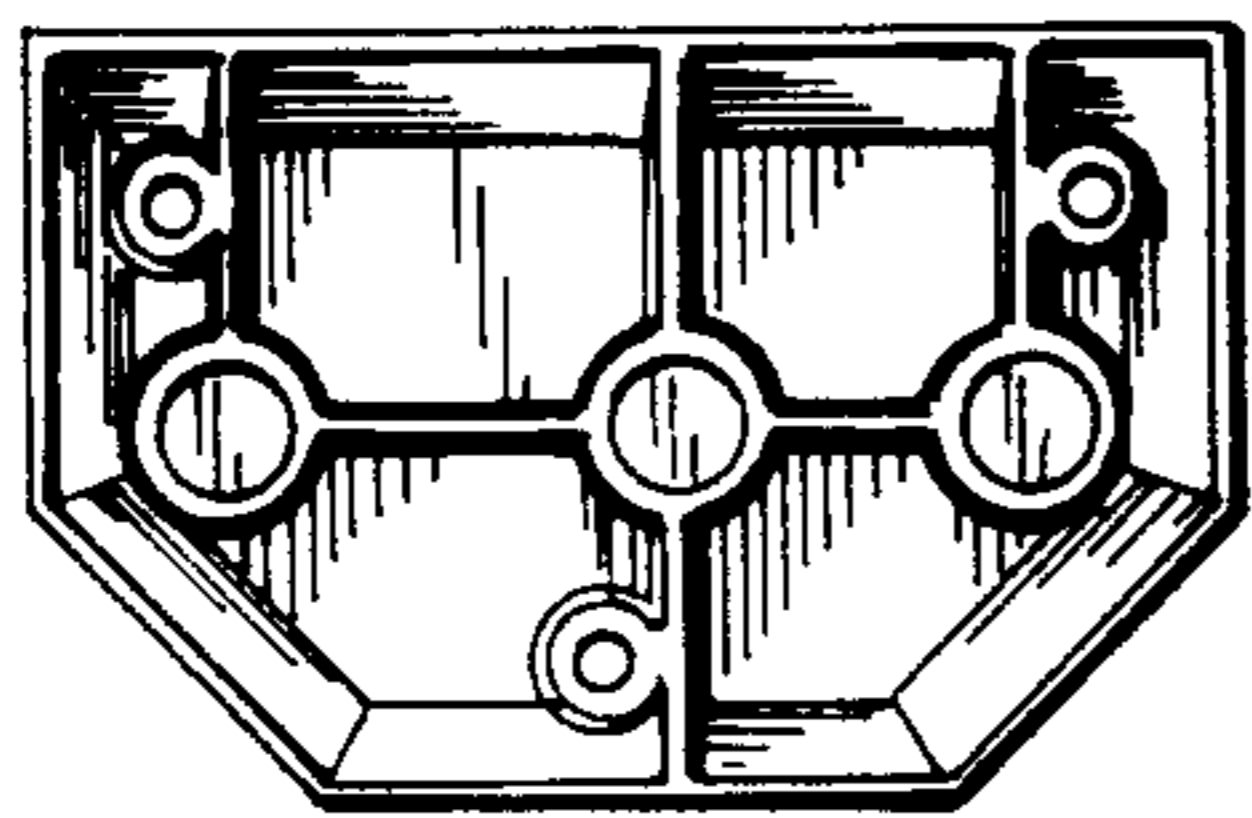


FIG. 3

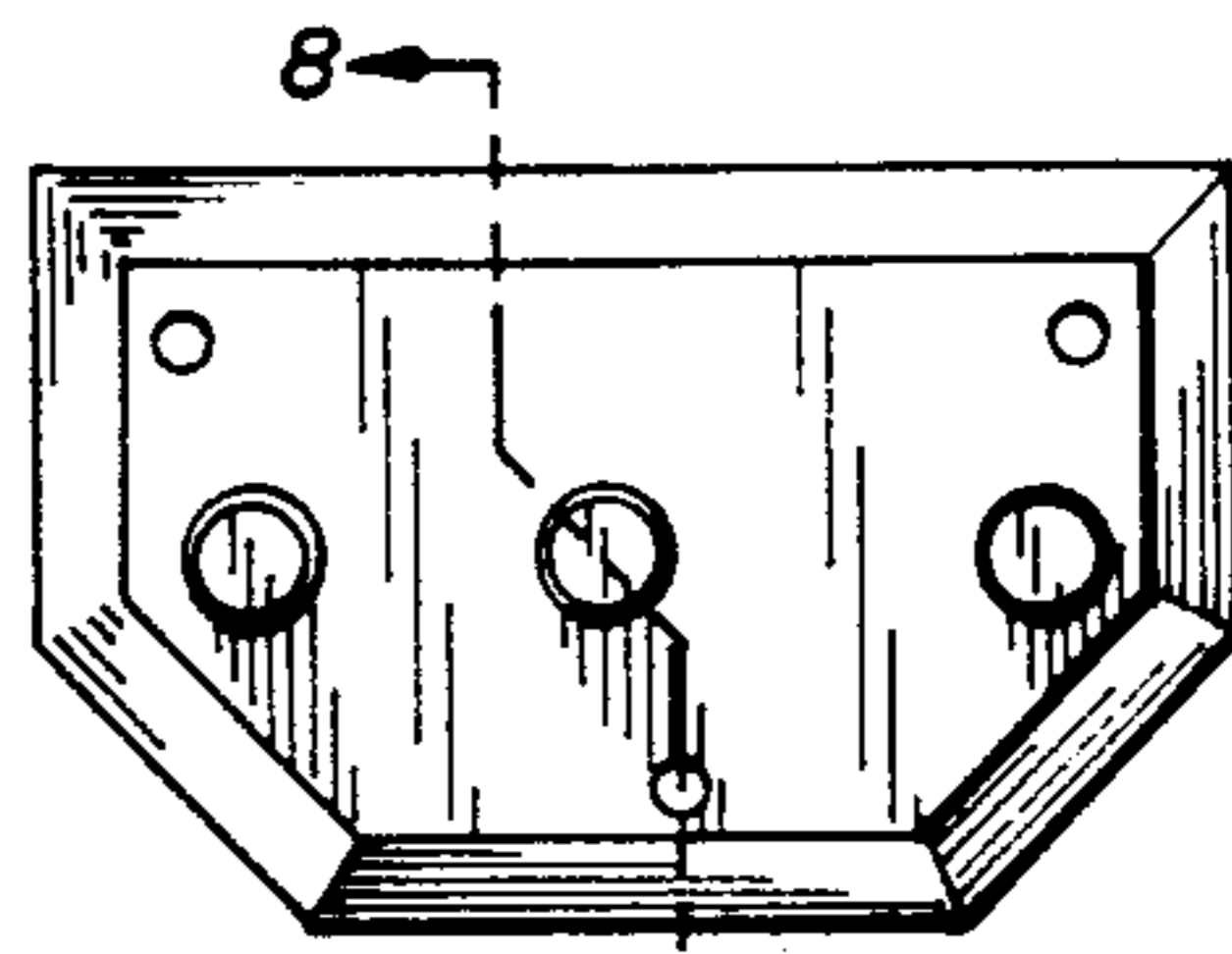


FIG. 2

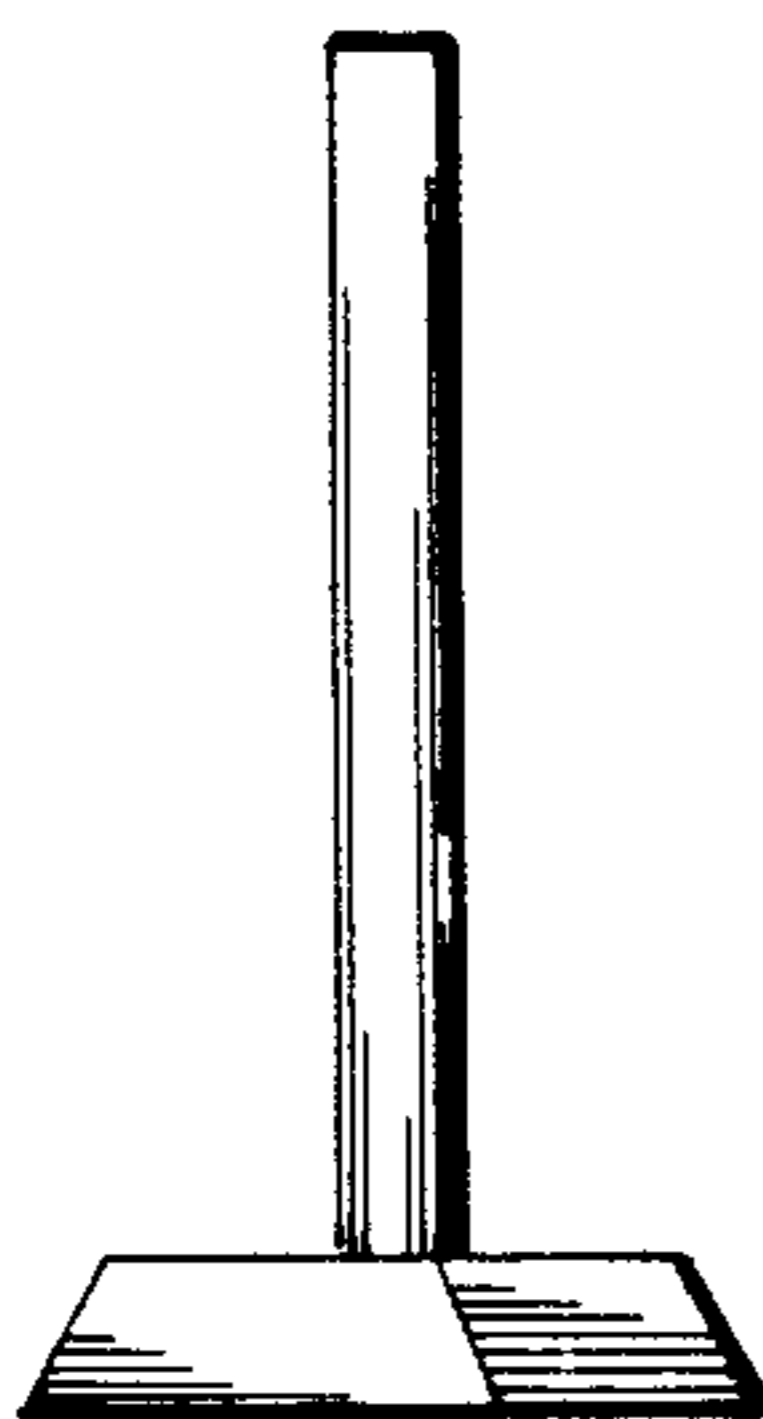


FIG. 6

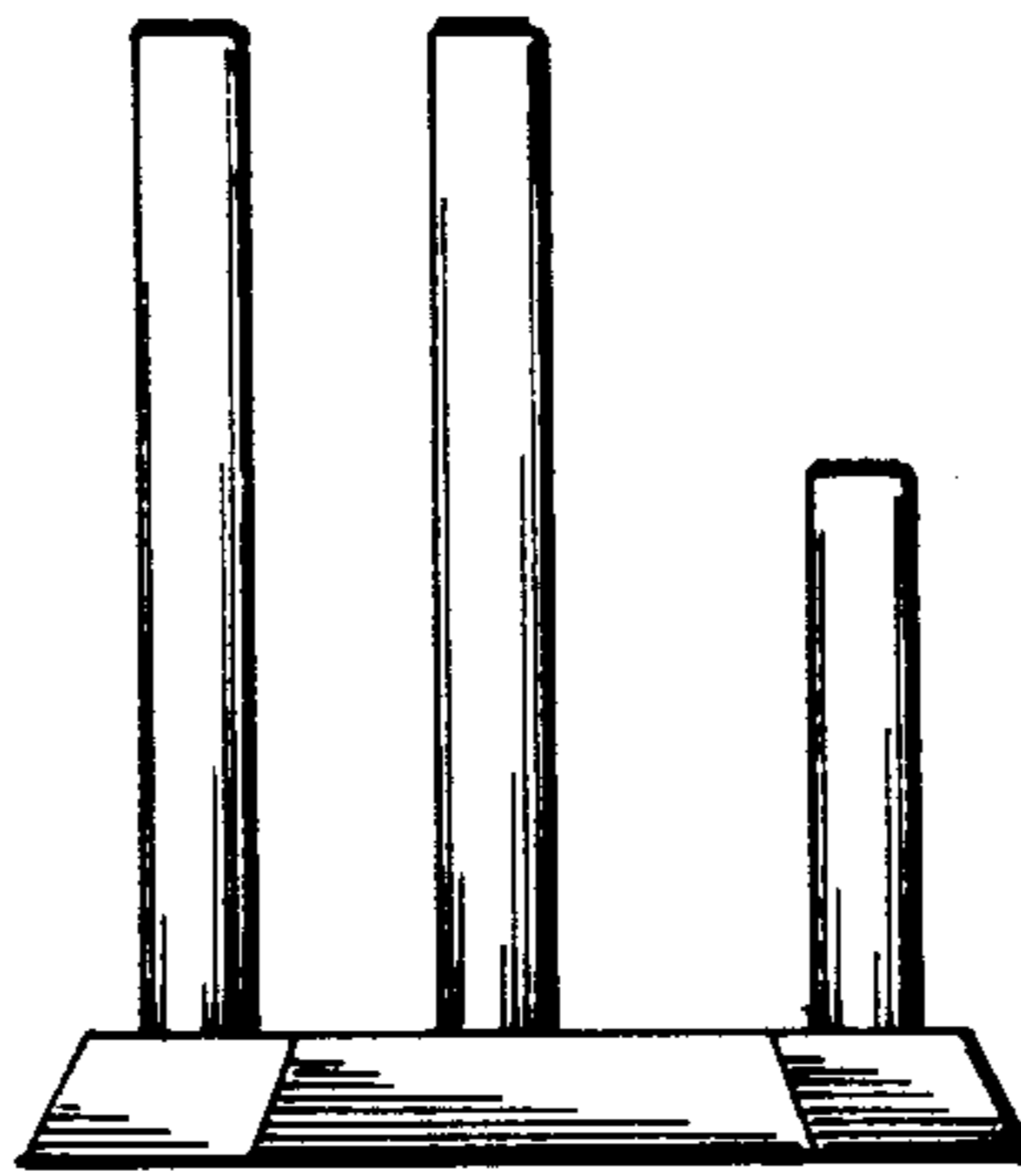


FIG. 5

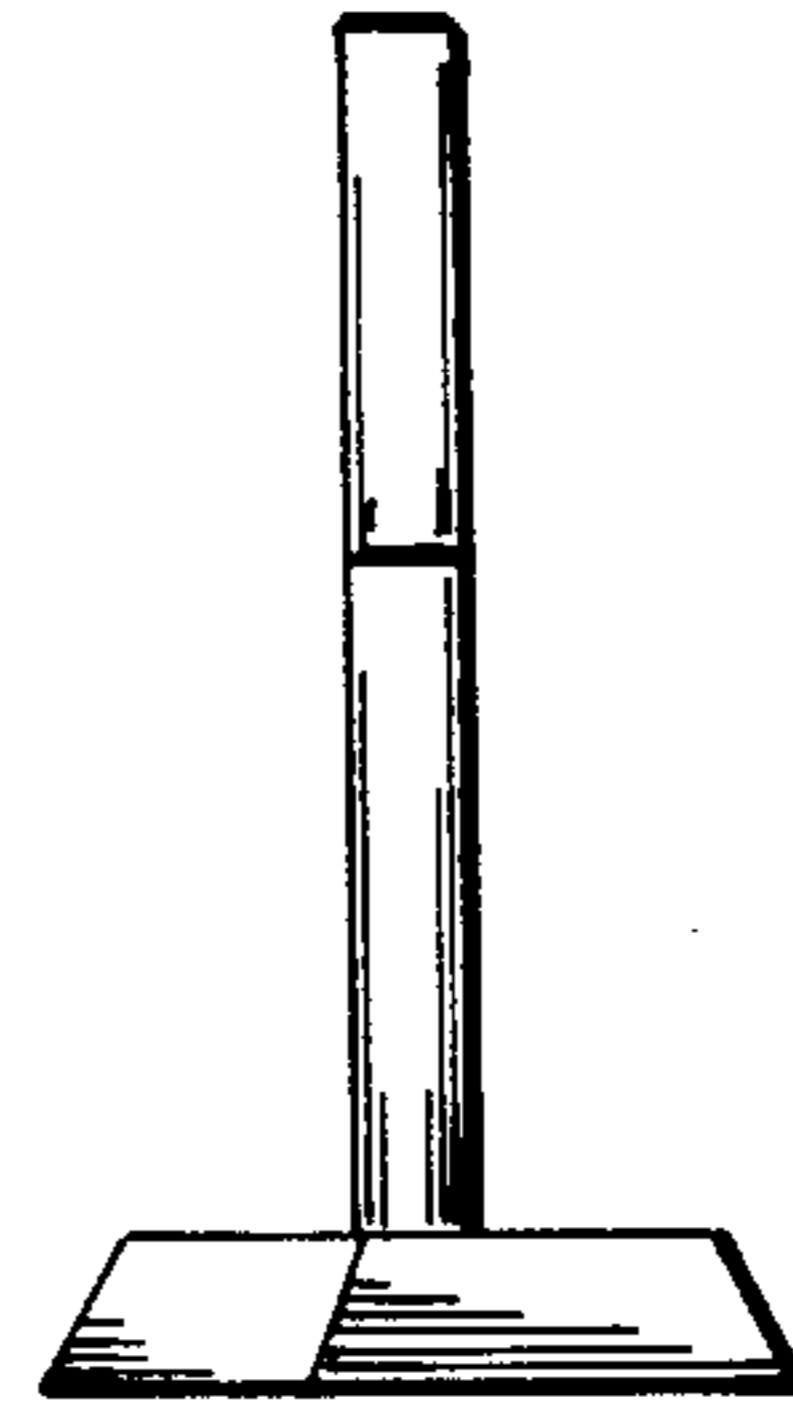


FIG. 7