

[54] TOOTHBRUSH HOLDER OR SIMILAR ARTICLE

[76] Inventor: Joseph J. Guarino, 26431 Rim Rd., Hemet, Calif. 92343

[**] Term: 14 Years

[21] Appl. No.: 901,972

[22] Filed: May 1, 1978

[51] Int. Cl. D23-02

[52] U.S. Cl. D6/94; D6/180; D6/188

[58] Field of Search D6/86-94, D6/96-103, 113, 141, 180, 188; 206/45.24, 362, 362.1, 15.2; 211/60 R, 60 A

[56] References Cited

U.S. PATENT DOCUMENTS

D. 104,334	4/1937	Campbell	D6/188
1,584,206	5/1926	Bailin	206/362
2,616,558	11/1952	Kay, Jr.	211/60 A

2,678,182 5/1954 Young 206/45.24

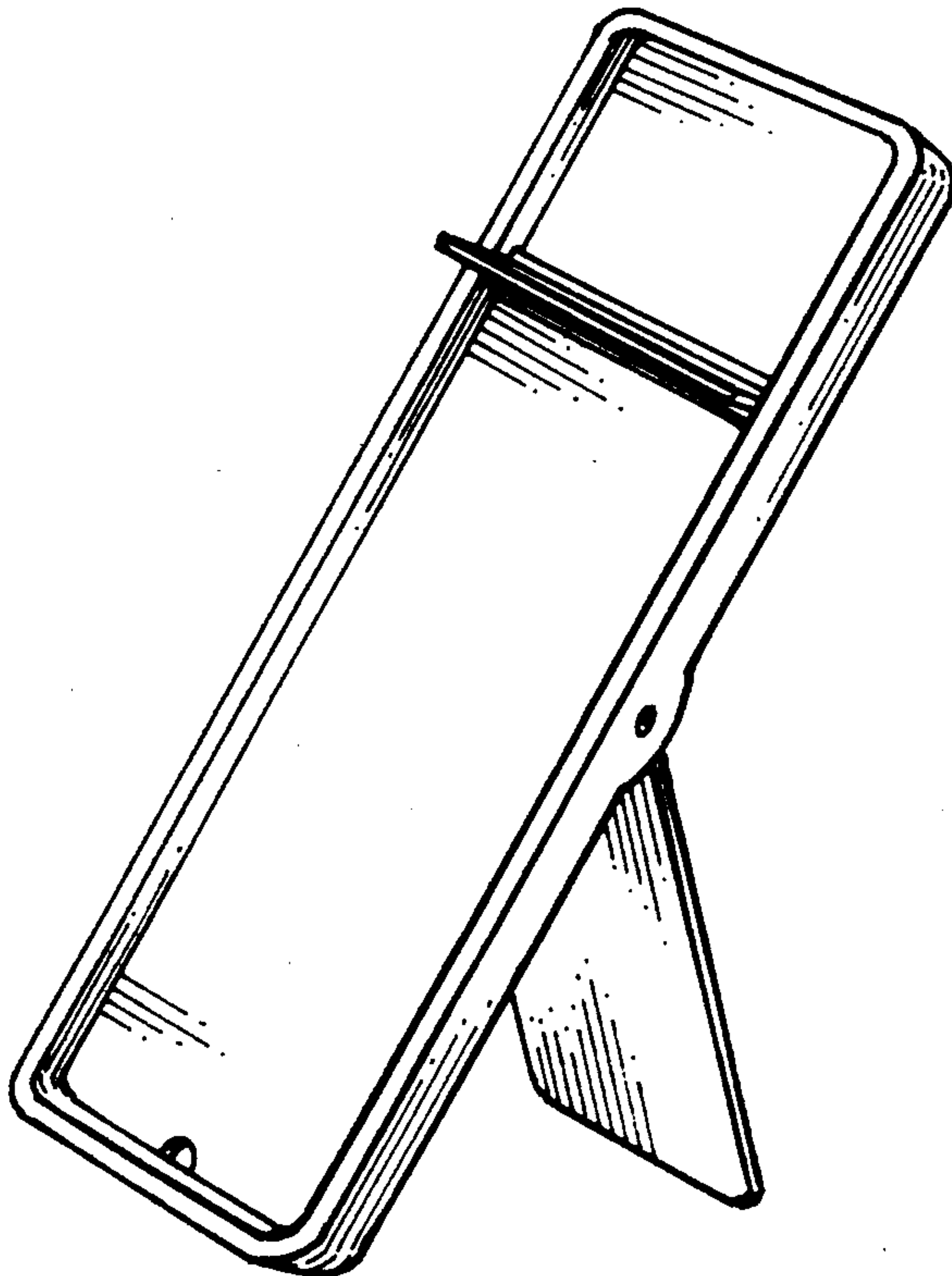
Primary Examiner—Wallace R. Burke
Assistant Examiner—B. J. Bullock
Attorney, Agent, or Firm—John H. Crowe

[57] CLAIM

The ornamental design for a toothbrush holder or similar article, substantially as shown and described.

DESCRIPTION

FIG. 1 is a front perspective view of a toothbrush holder or similar article showing my new design; FIG. 2 is a rear perspective view thereof; FIG. 3 is a front elevational view taken in the direction of arrow 3 of FIG. 5; FIG. 4 is a rear elevational view taken in the direction of arrow 4 of FIG. 5; FIG. 5 is a side elevational view taken from the right of FIG. 1, the side opposite being a mirror image thereof; FIG. 6 is a top view taken in the direction of arrow 6 of FIG. 4; FIG. 7 is a bottom view taken in the direction of arrow 7 of FIG. 4.



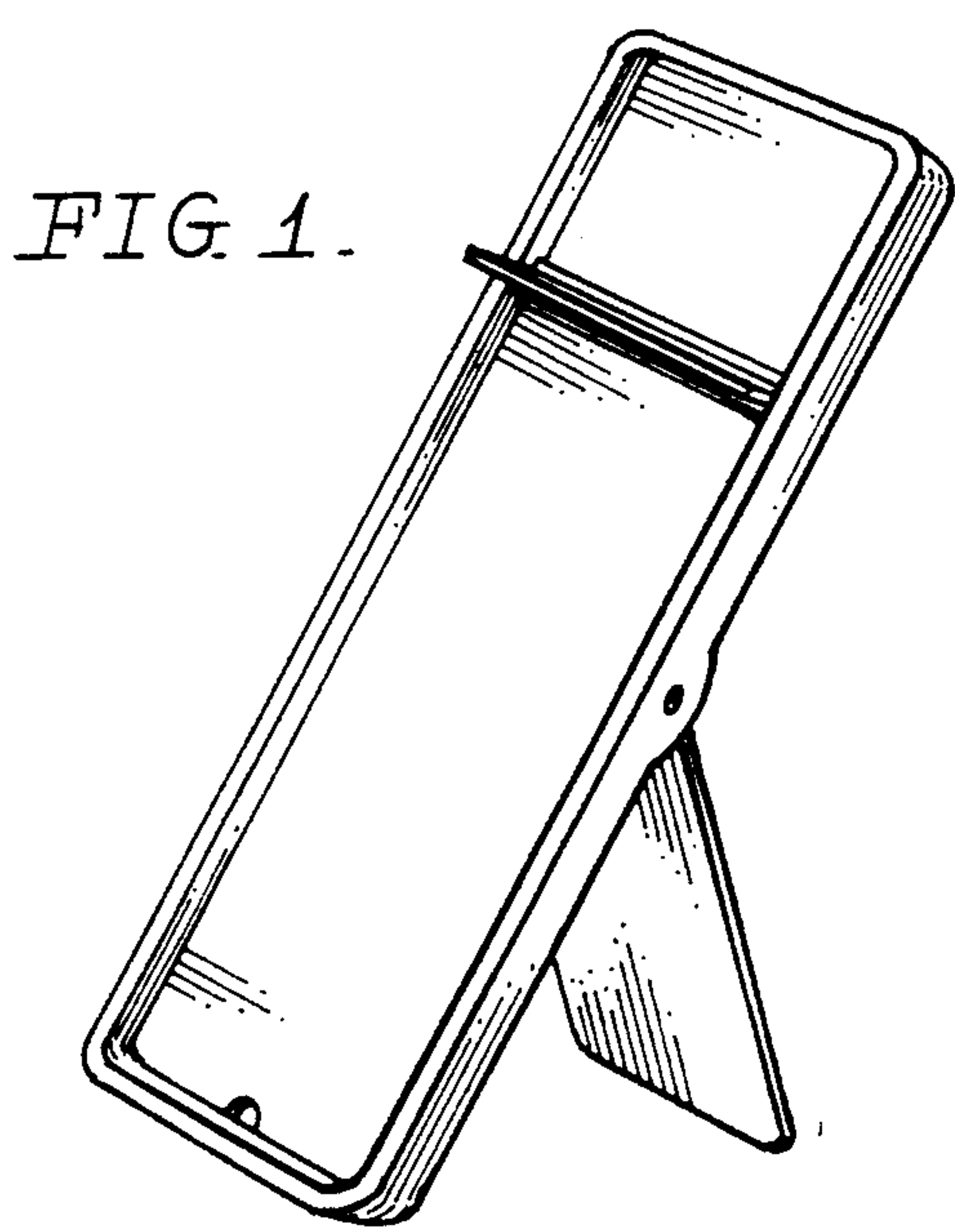


FIG. 1.

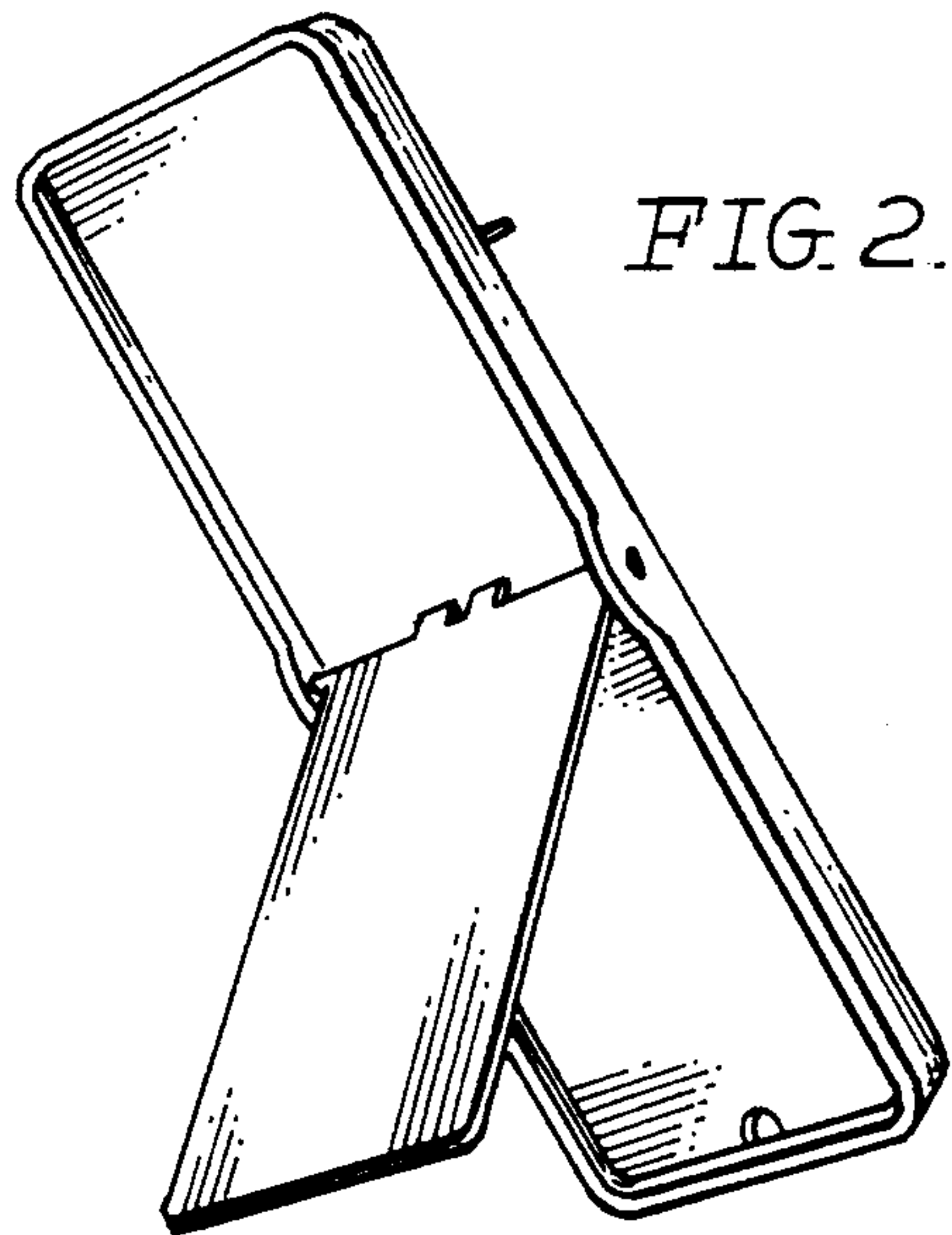


FIG. 2.

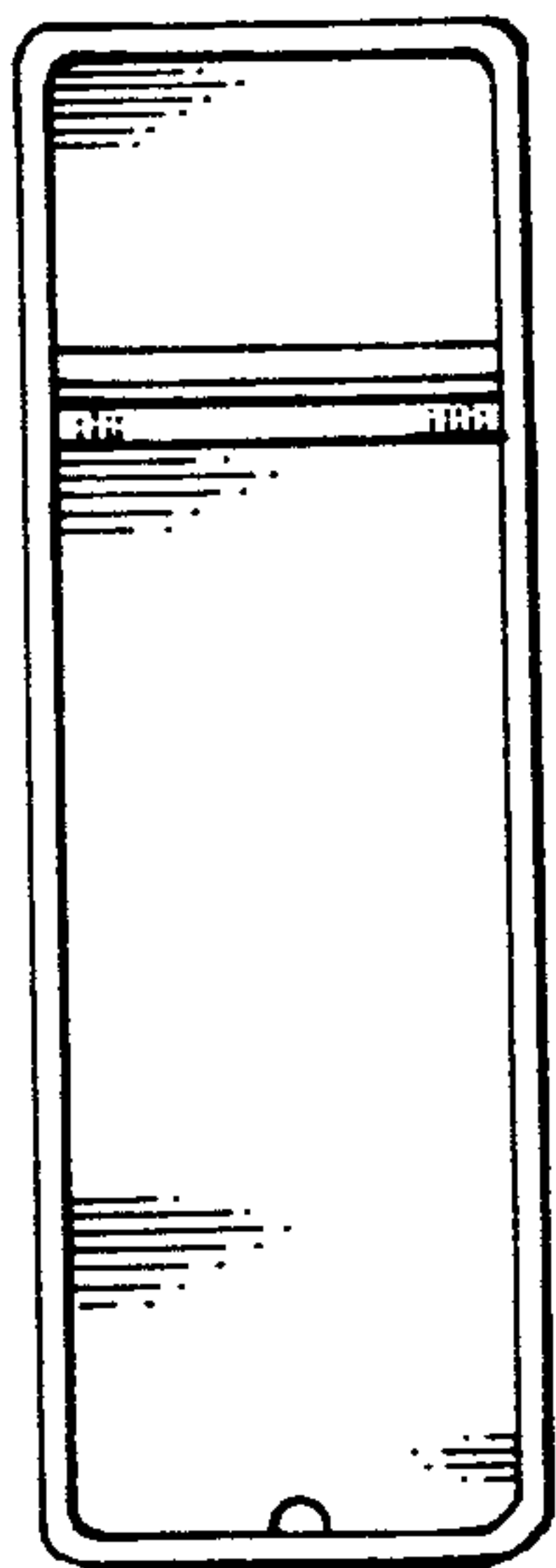


FIG. 3.

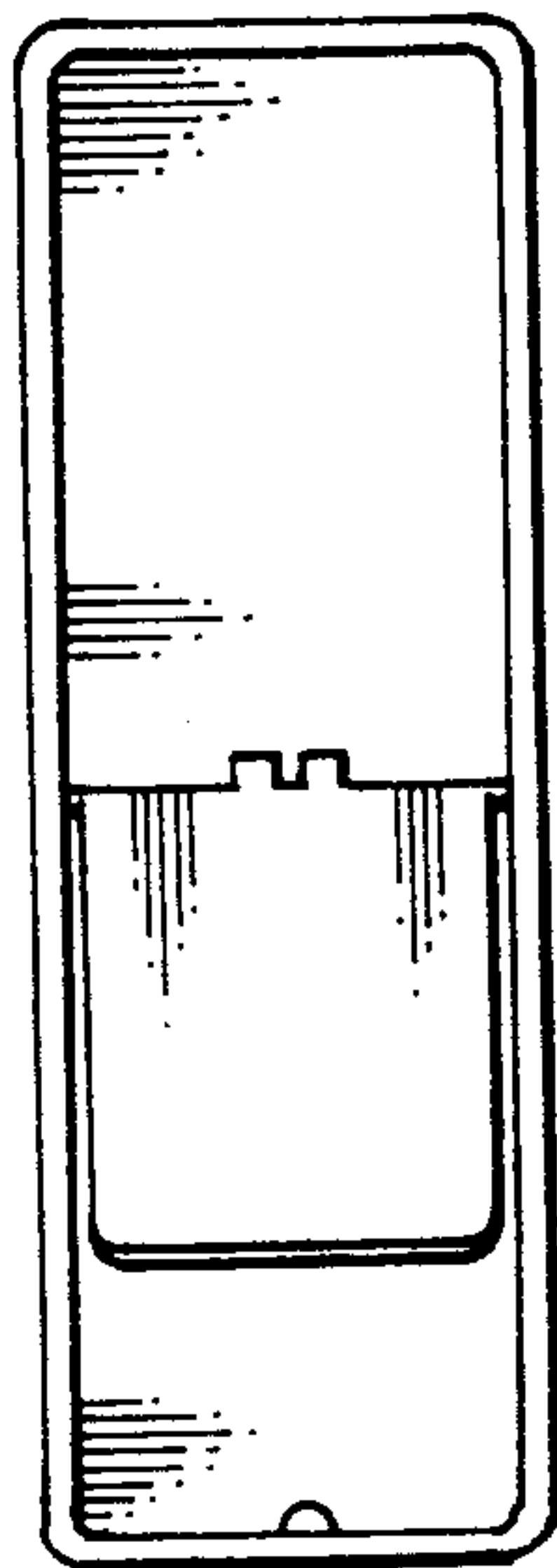


FIG. 4.

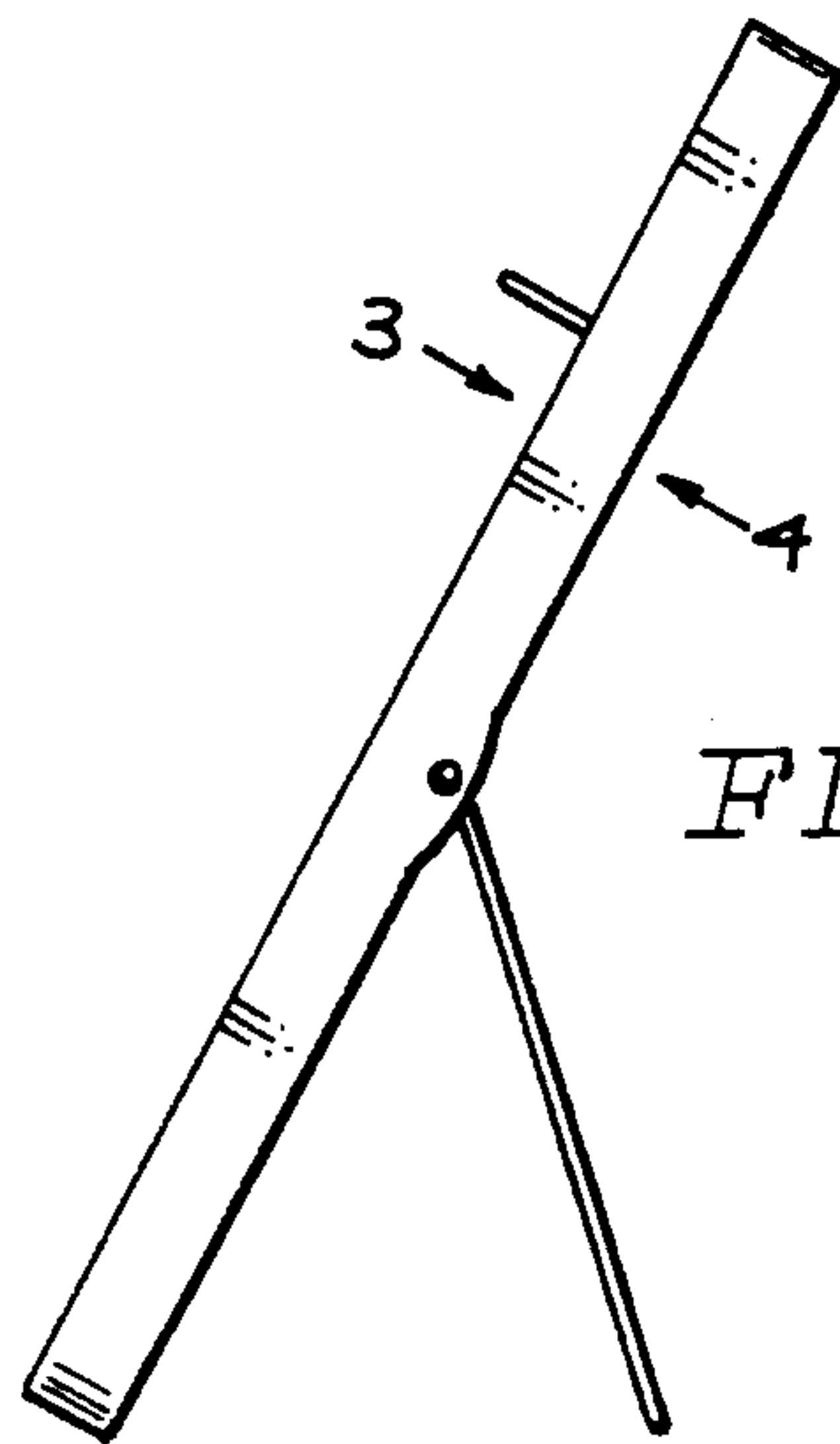


FIG. 5.

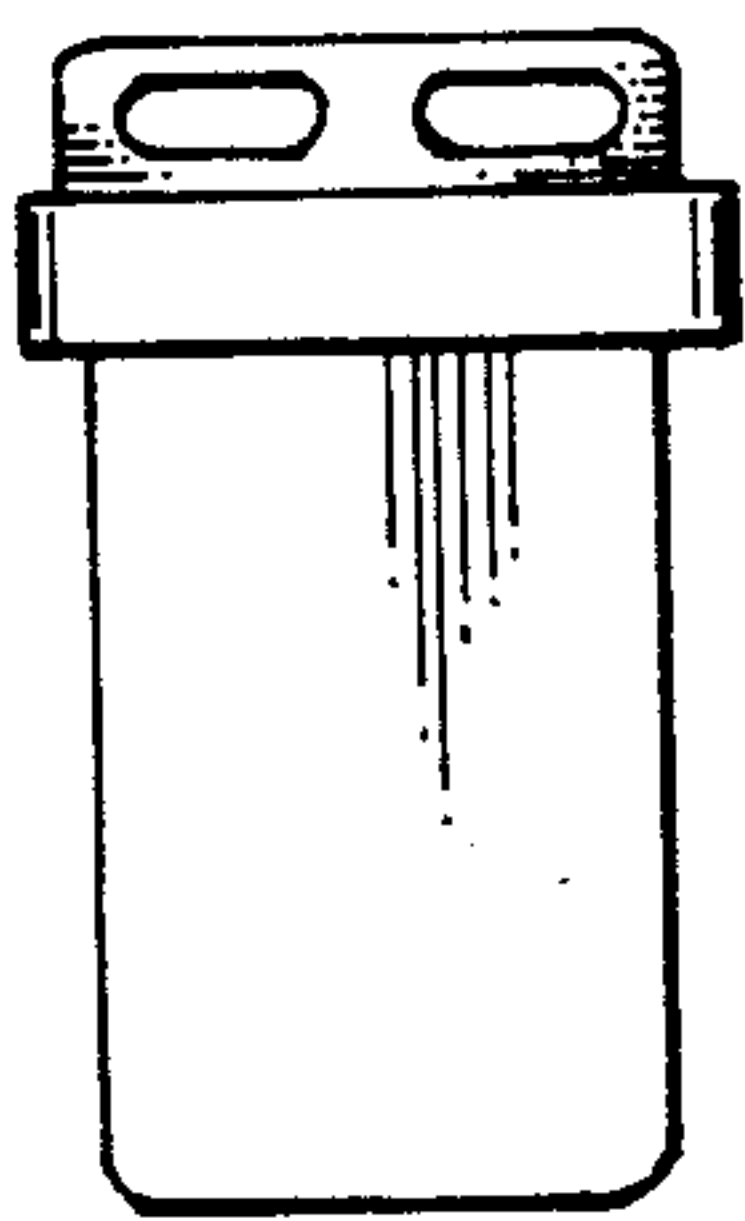


FIG. 6.

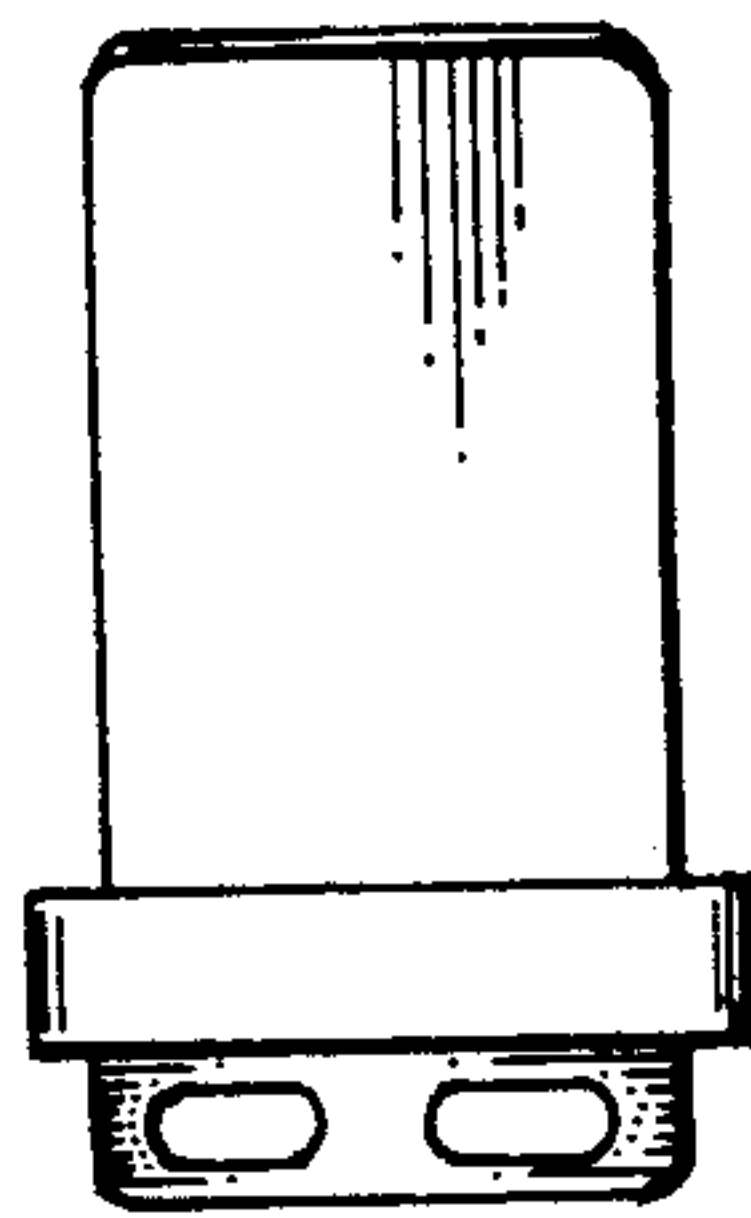


FIG. 7.