

[54] ROOFING TILE

[76] Inventor: Miles H. K. Furley, Grampian Rd., St. Heliers, Auckland, New Zealand

[**] Term: 14 Years

[21] Appl. No.: 789,111

[22] Filed: Apr. 20, 1977

[51] Int. Cl. D25-01

[52] U.S. Cl. D92/29; D25/80; D25/92

[58] Field of Search 52/518, 519, 520, 529, 52/530, 531, 534, 537, 556, 545; D25/80, 84, 92, 94, 95, 96; D92/25, 29, 30, 32

[56]

References Cited

U.S. PATENT DOCUMENTS

1,158,268 10/1915 Overbury et al. D25/92 X
3,760,545 9/1973 Pearse et al. 52/529

FOREIGN PATENT DOCUMENTS

156238 4/1954 Australia 52/518

Primary Examiner—A. Hugo Word
Attorney, Agent, or Firm—Timothy L. Tilton

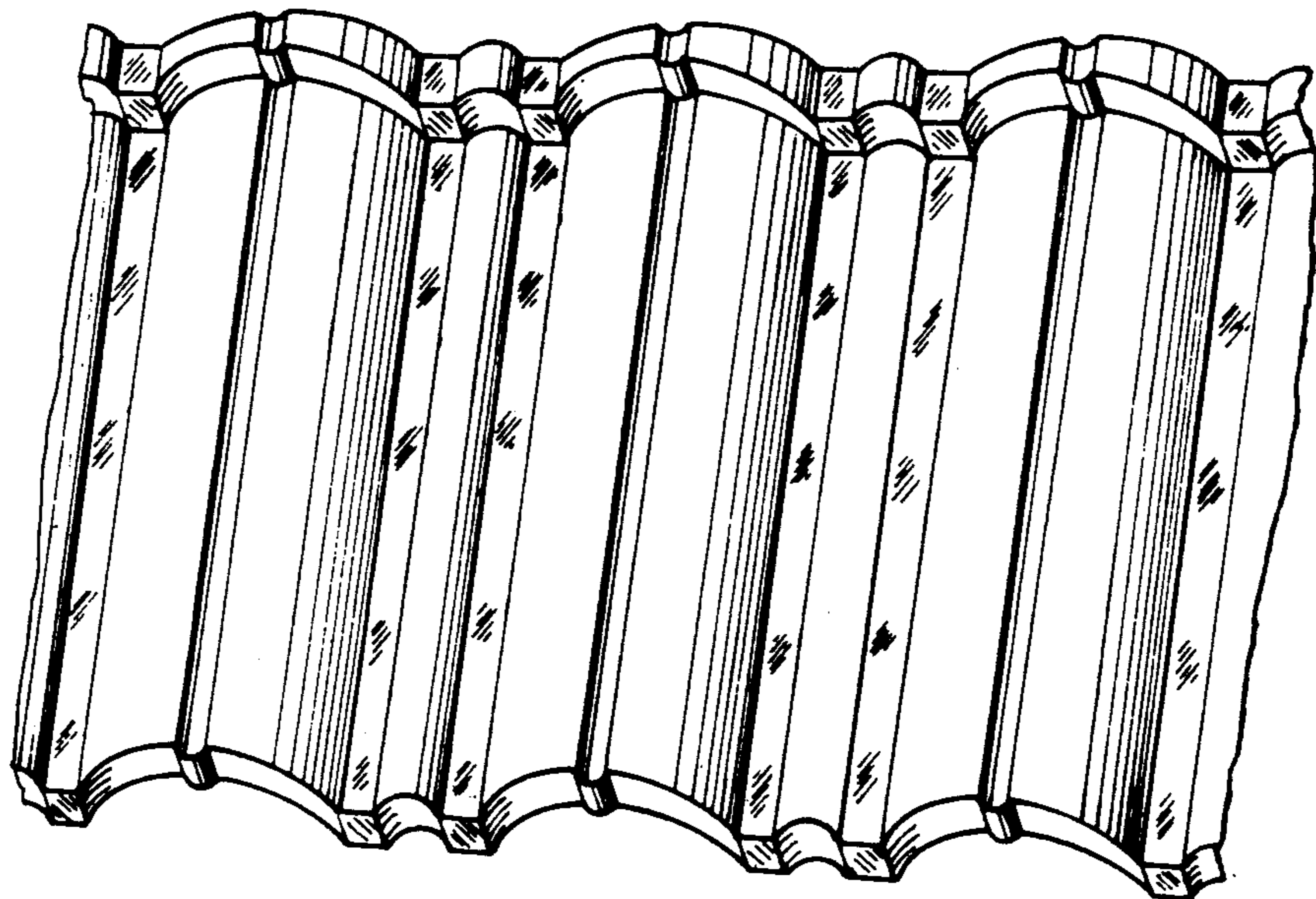
[57]

CLAIM

The ornamental design for a roofing tile, substantially as shown.

DESCRIPTION

FIG. 1 is a perspective view of the tile.
FIG. 2 is a plan view of the tile.
FIG. 3 is a front elevation of the tile.
FIG. 4 is a side view of the tile.



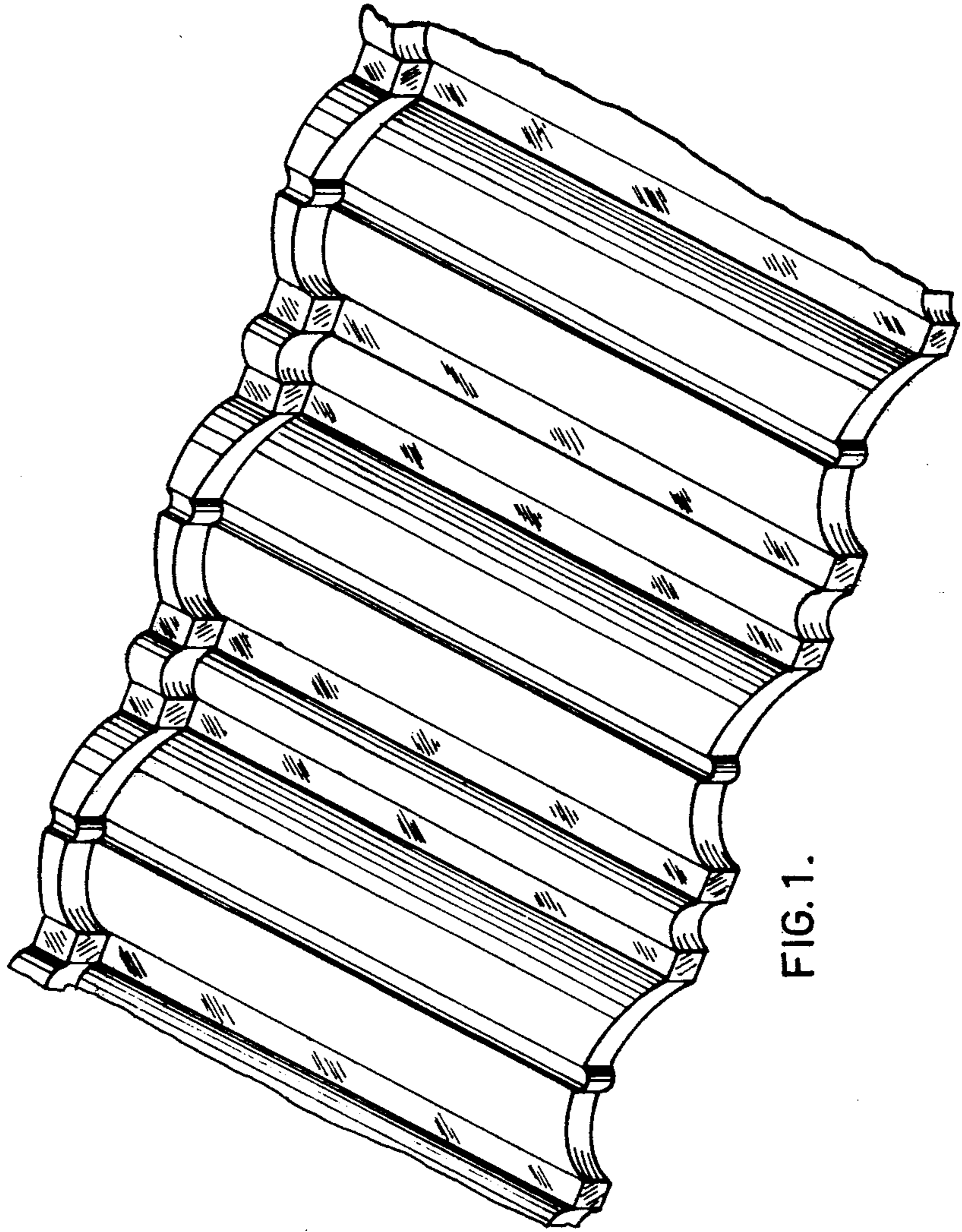


FIG. 1.

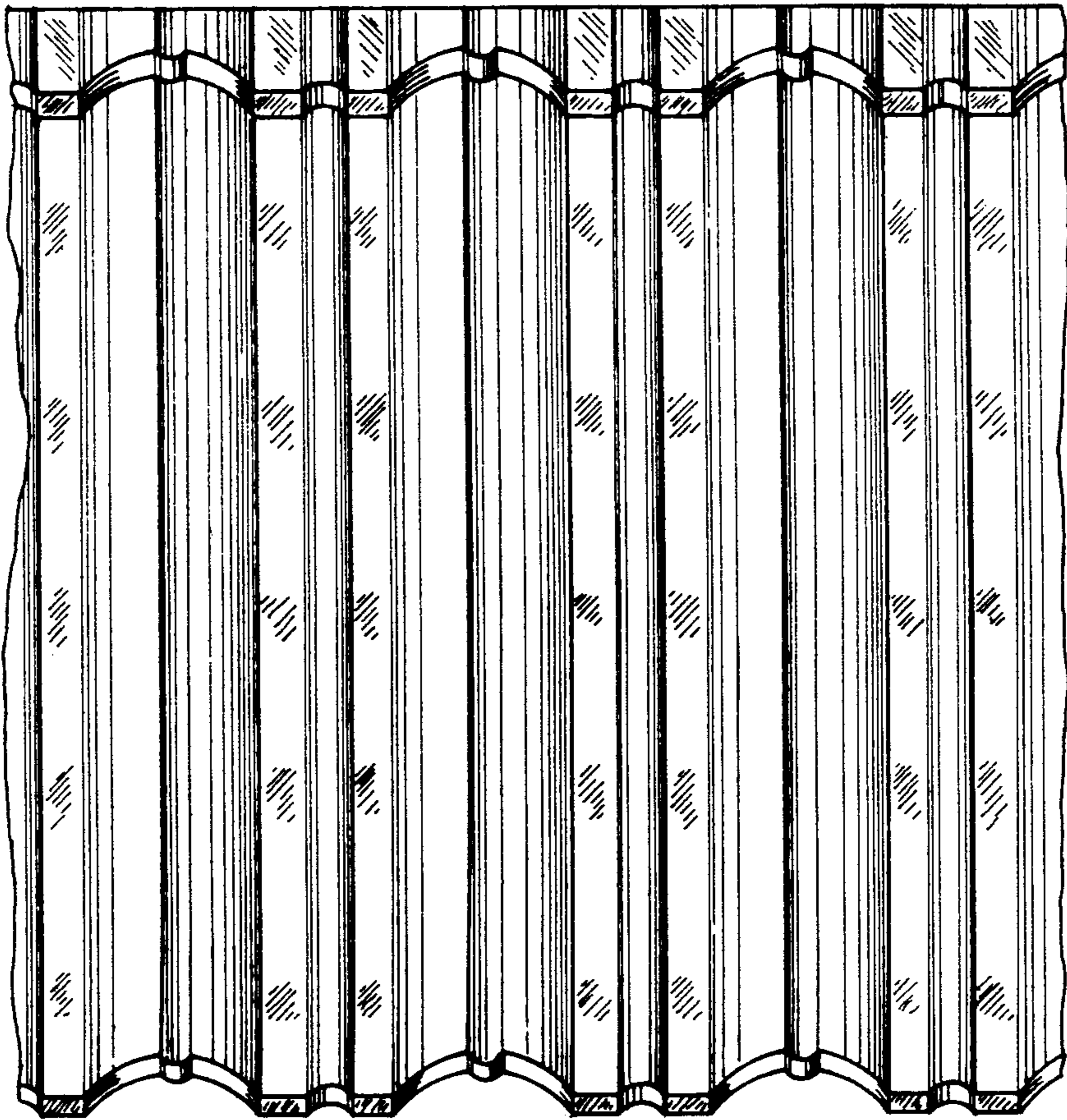


FIG. 2.

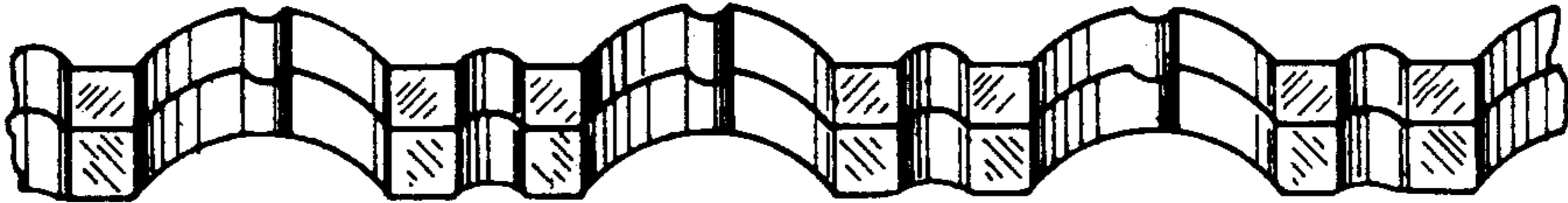


FIG. 3.

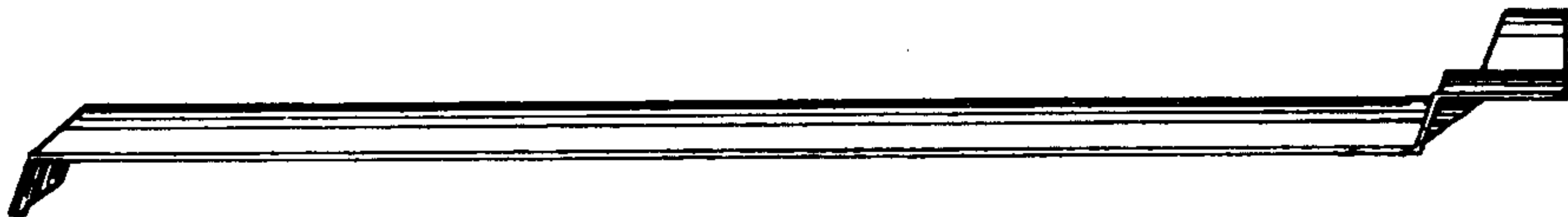


FIG. 4.