

[54] IDENTIFICATION TAG FOR AN ANIMAL COLLAR OR SIMILAR ARTICLE

2,829,453 4/1958 Mattes ..... 40/21 C  
3,340,630 9/1967 Becker ..... 40/21 C

[76] Inventor: **Esther O. Mayfield**, 5565  
Thunderbird La., La Jolla, Calif.  
92037

*Primary Examiner*—James R. Largen

[\*\*] Term: **14 Years**

[57] **CLAIM**

The ornamental design for an identification tag for an animal collar or similar article, as shown and described.

[21] Appl. No.: **832,840**

**DESCRIPTION**

[22] Filed: **Sep. 12, 1977**

FIG. 1 is a perspective view of an identification tag for an animal collar or similar article showing my new design;

[51] Int. Cl. .... **D30-04**

FIG. 2 is a top plan view thereof;

[52] U.S. Cl. .... **D30/38**

FIG. 3 is a side elevational view thereof;

[58] Field of Search ..... 119/106; 40/21 C, 303,  
40/304, 21 R, 21 C, 10 D

FIG. 4 is a cross sectional view taken on line 4-4 of FIG. 2; and

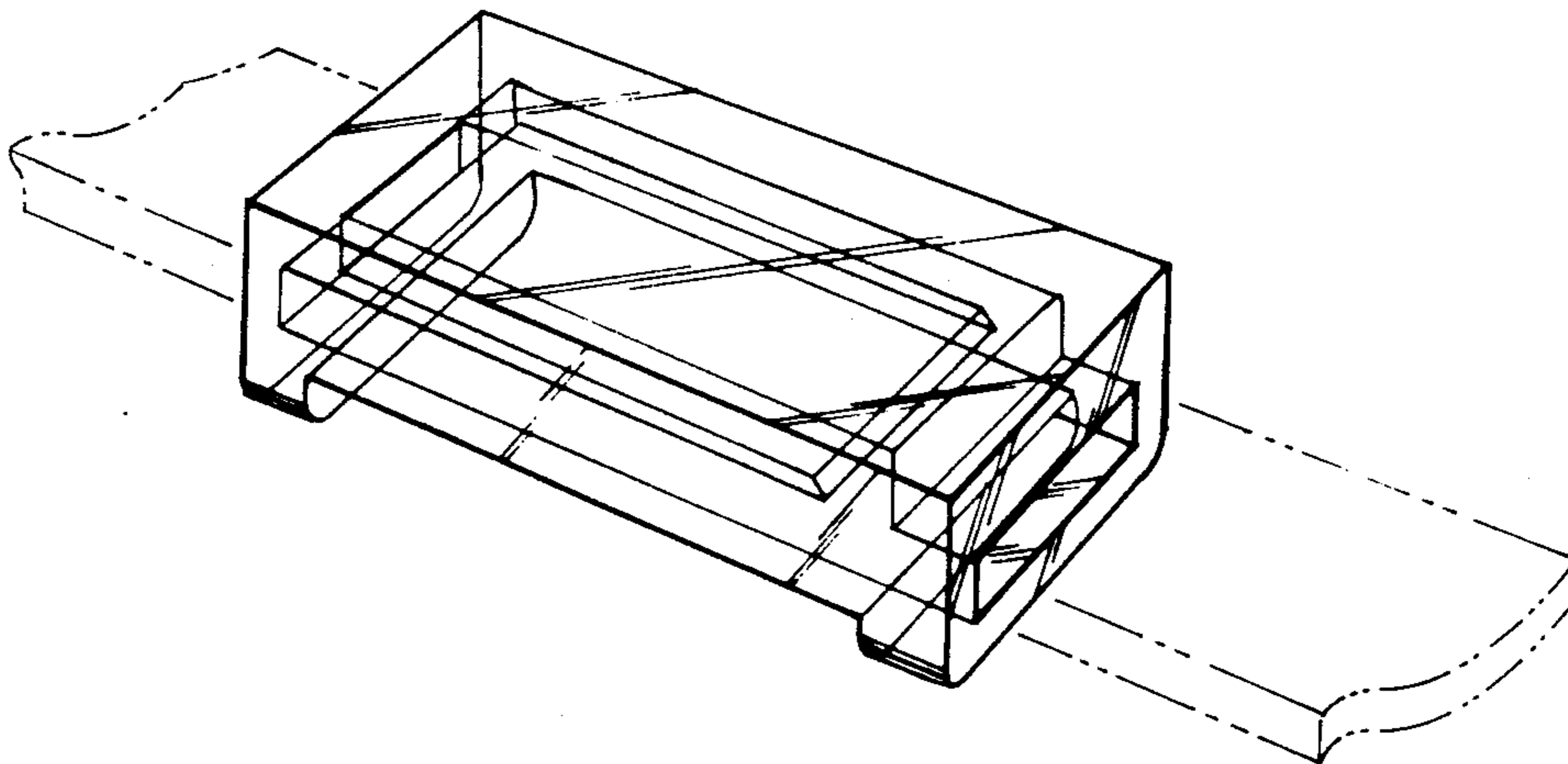
[56] **References Cited**

FIG. 5 is a cross sectional view taken on line 5-5 of FIG. 2.

**U.S. PATENT DOCUMENTS**

1,539,744 5/1925 Kelly ..... 40/303  
2,680,315 6/1954 McHugh et al. .... 40/21 C X

The fragmentary broken line representation of an animal collar in FIGS. 1 and 2 is for purposes of illustration only.



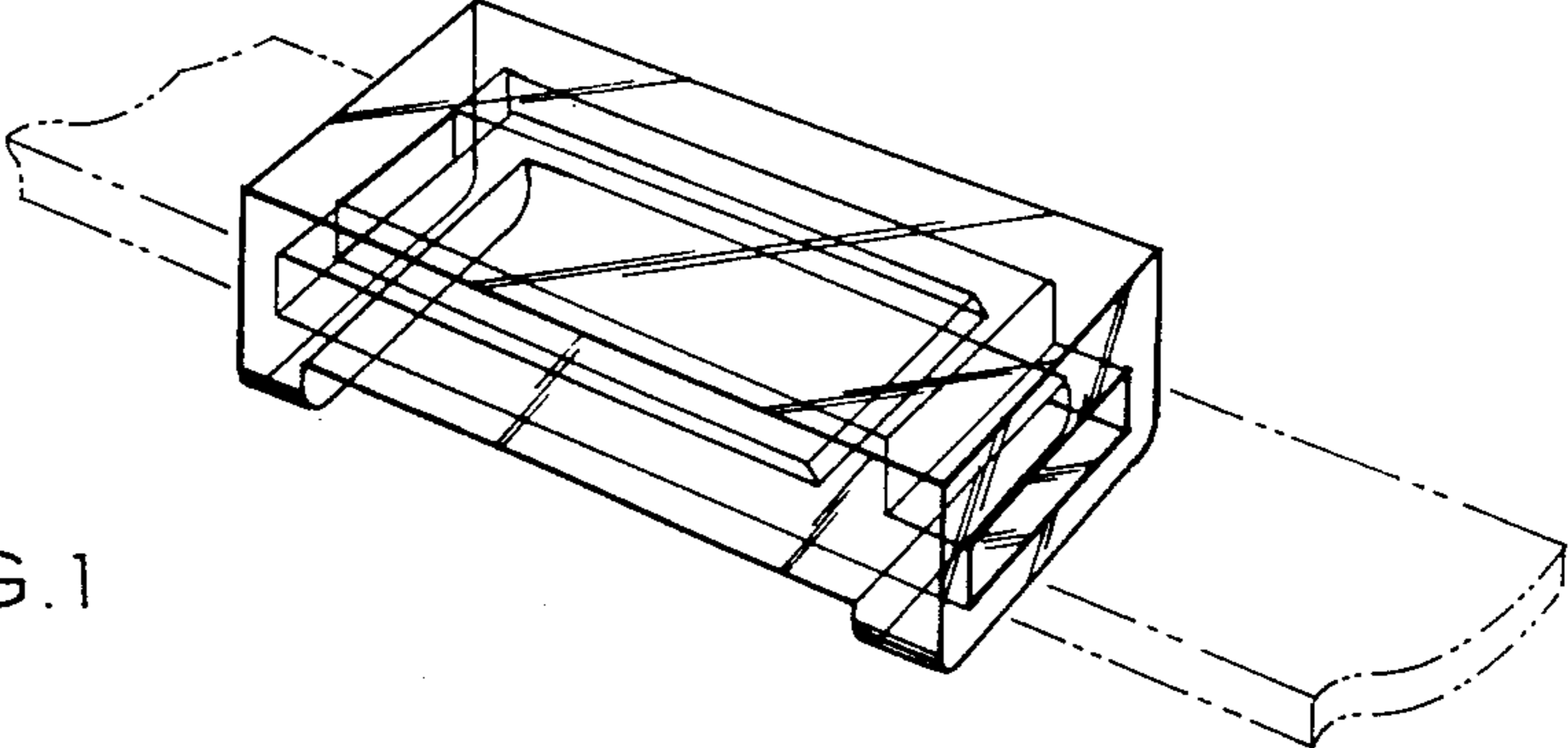


FIG. 1

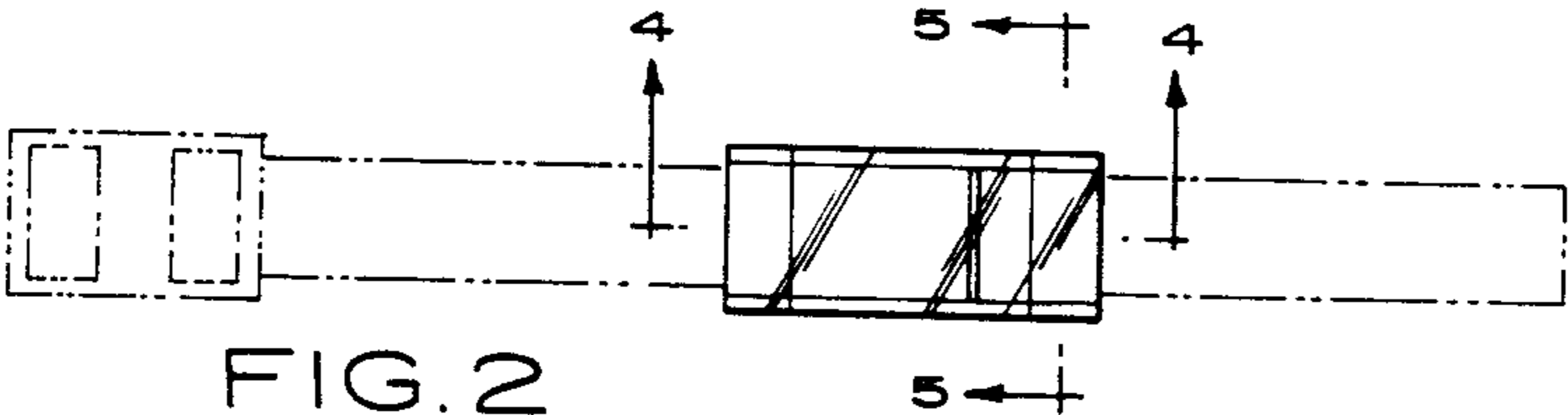


FIG. 2

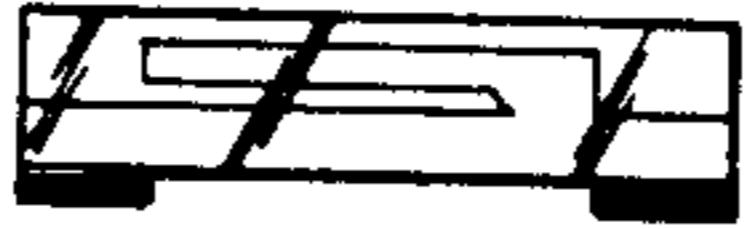


FIG. 3

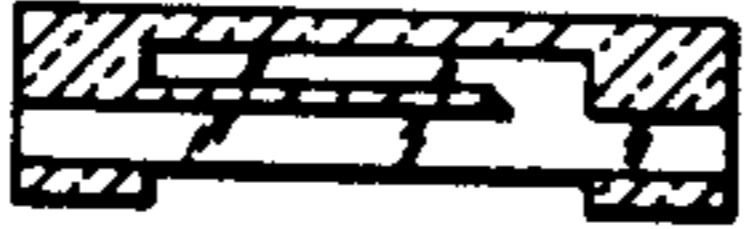


FIG. 4



FIG. 5