

[54] **AQUARIUM OR SIMILAR ARTICLE**
 [76] Inventor: Nazareen Ward, 2038 85th Ave.,
 Oakland, Calif. 94621
 [**] Term: 14 Years
 [21] Appl. No.: 912,934
 [22] Filed: Jun. 5, 1978

D. 119,982	4/1946	Munz	D11/145
D. 191,897	12/1961	Shirley	D30/8
D. 220,146	3/1971	Loewy	D6/20
465,516	12/1891	Berger et al.	119/5
3,903,642	9/1975	Yellin	D11/145
4,026,243	5/1977	Jessop	119/5
4,117,805	10/1978	Word	119/5

Related U.S. Application Data

[63] Continuation-in-part of Ser. No. 753,918, Dec. 23, 1976.

[51] Int. Cl. D30-02
 [52] U.S. Cl. D30/6
 [58] Field of Search D30/6-12;
 119/5; D11/145

References Cited

U.S. PATENT DOCUMENTS

D. 51,433	10/1917	Simons	D30/9
D. 85,253	9/1931	Matsuno	D30/9
D. 104,981	6/1937	Munz	D11/145

OTHER PUBLICATIONS

Gift and Decorative Accessories, Mar. 1973, p. 88, center left item.

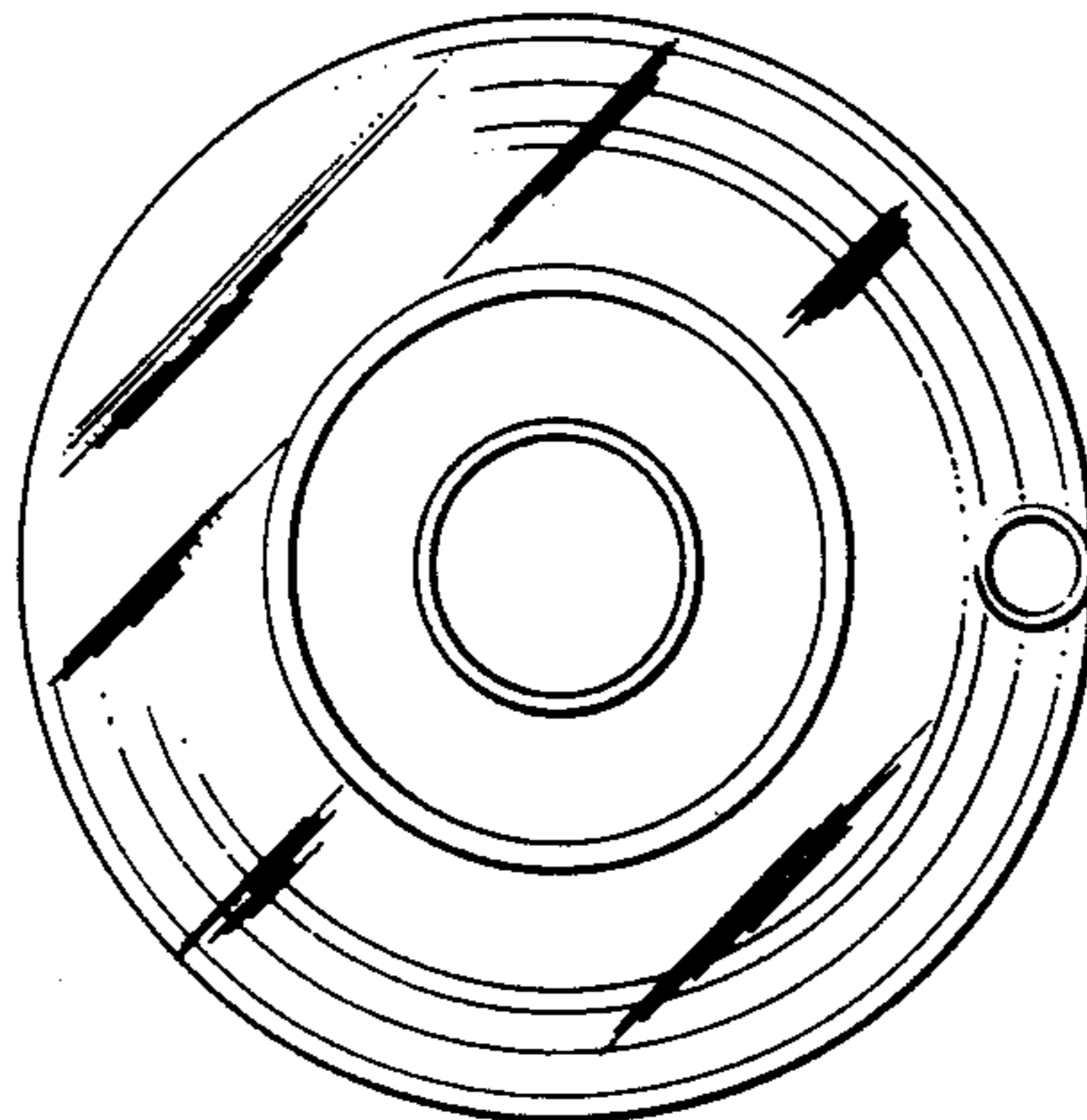
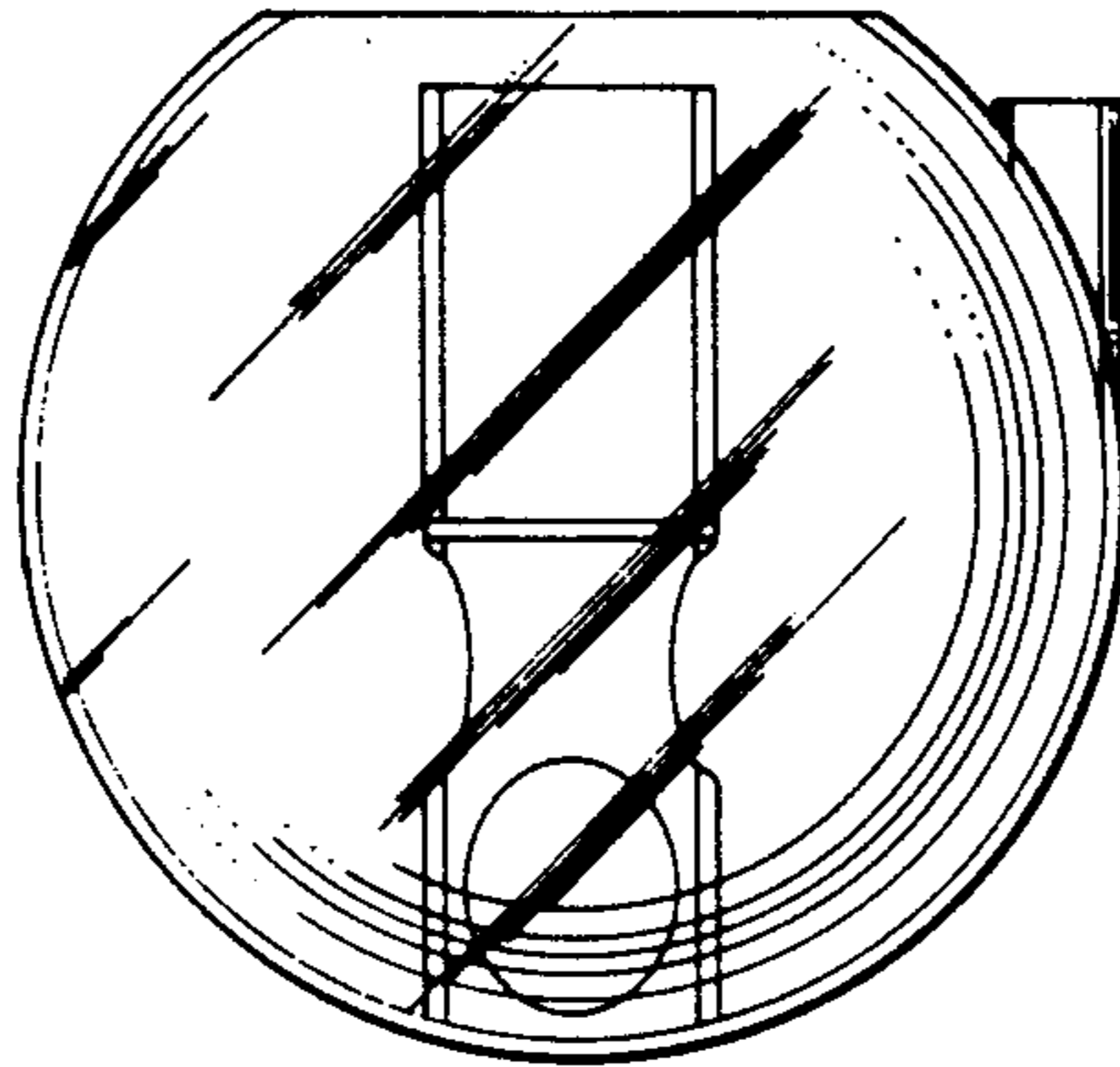
Primary Examiner—James R. Largen
Attorney, Agent, or Firm—Theodore J. Bielen, Jr.

CLAIM

The ornamental design for an aquarium or similar article, substantially as shown.

DESCRIPTION

FIG. 1 is a side elevational view of an aquarium or similar article showing my new design; FIG. 2 is an end elevational view thereof; FIG. 3 is a top plan view thereof; and FIG. 4 is a bottom plan view thereof.



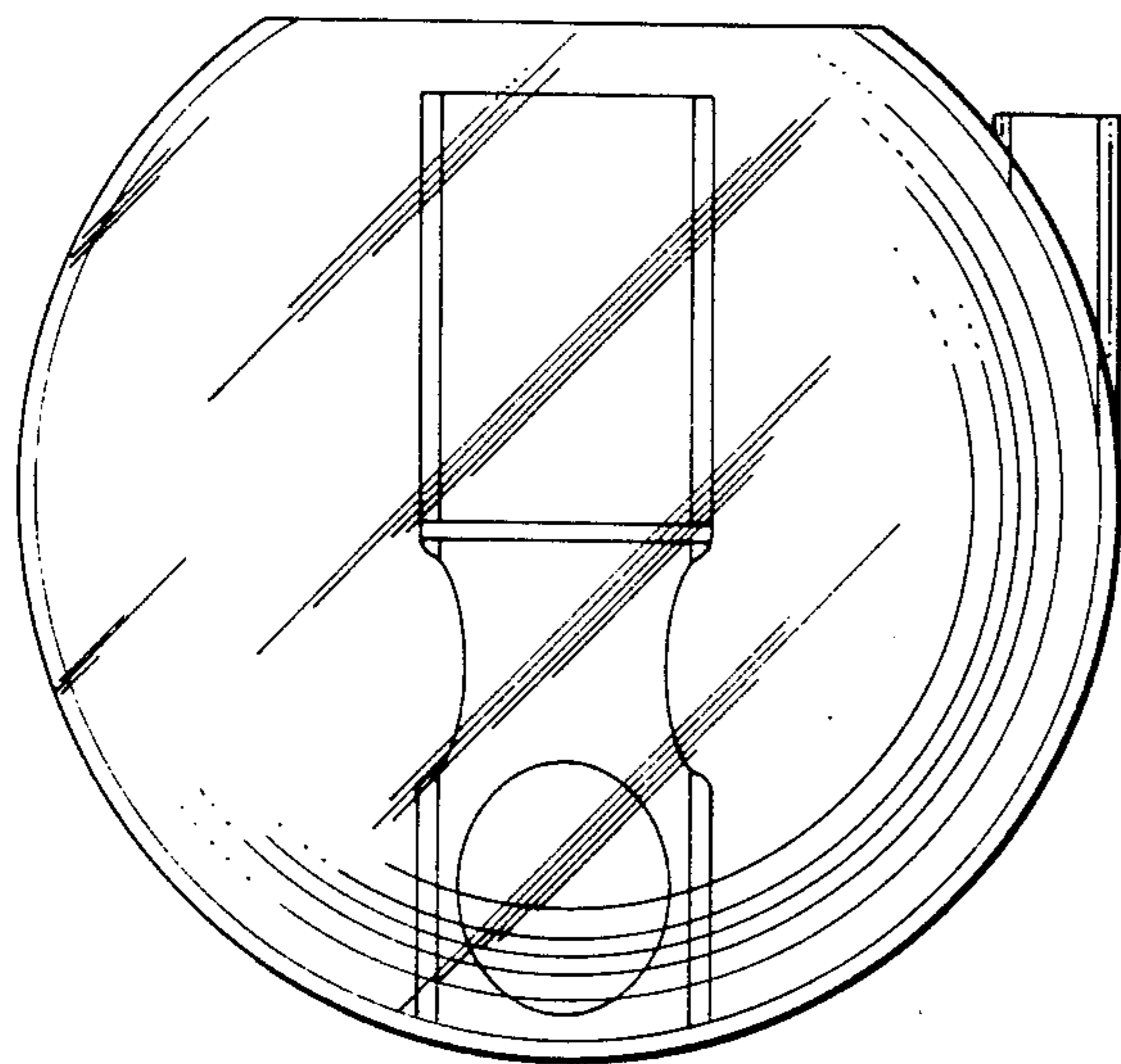


FIG. 1

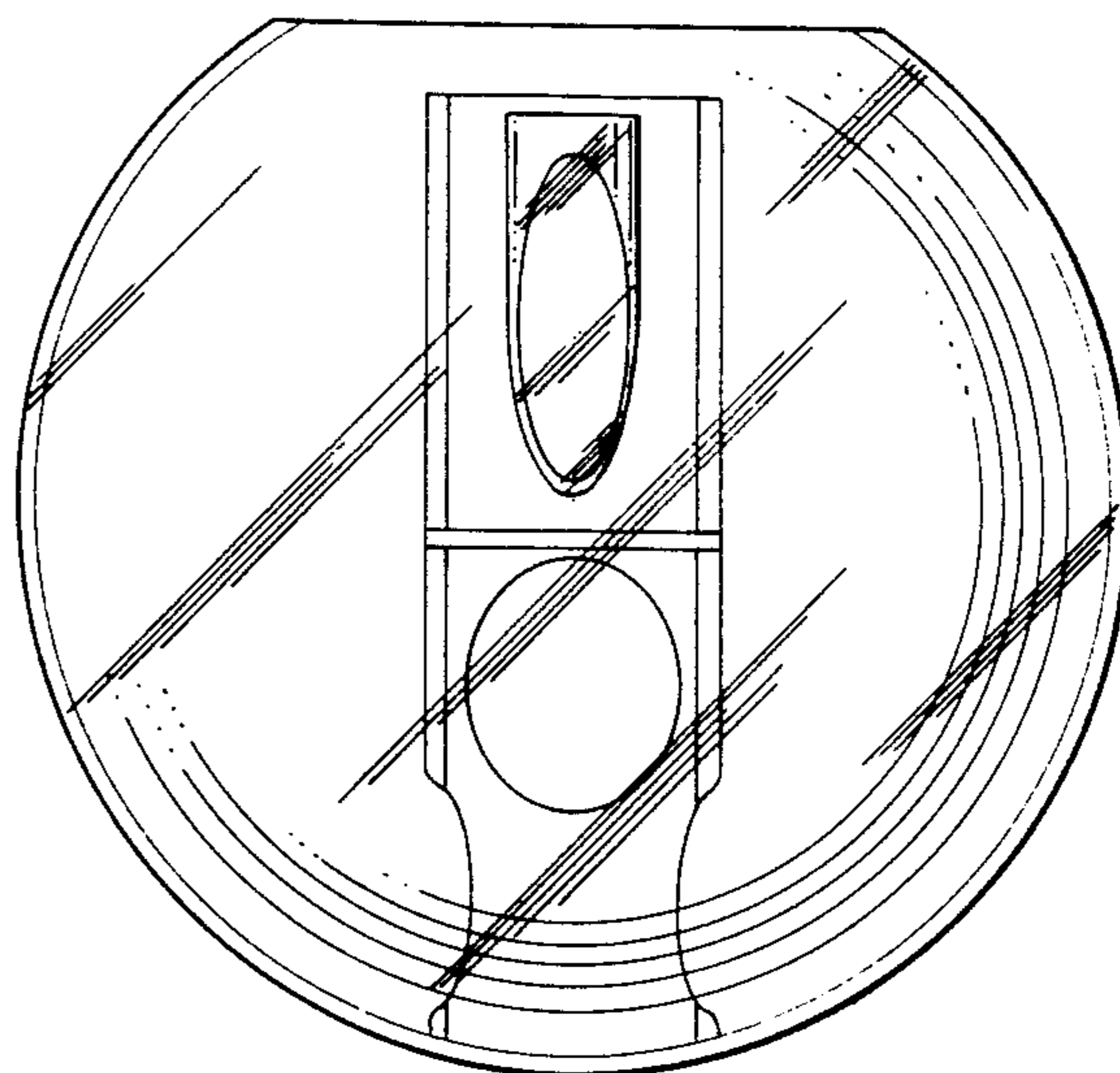


FIG. 2

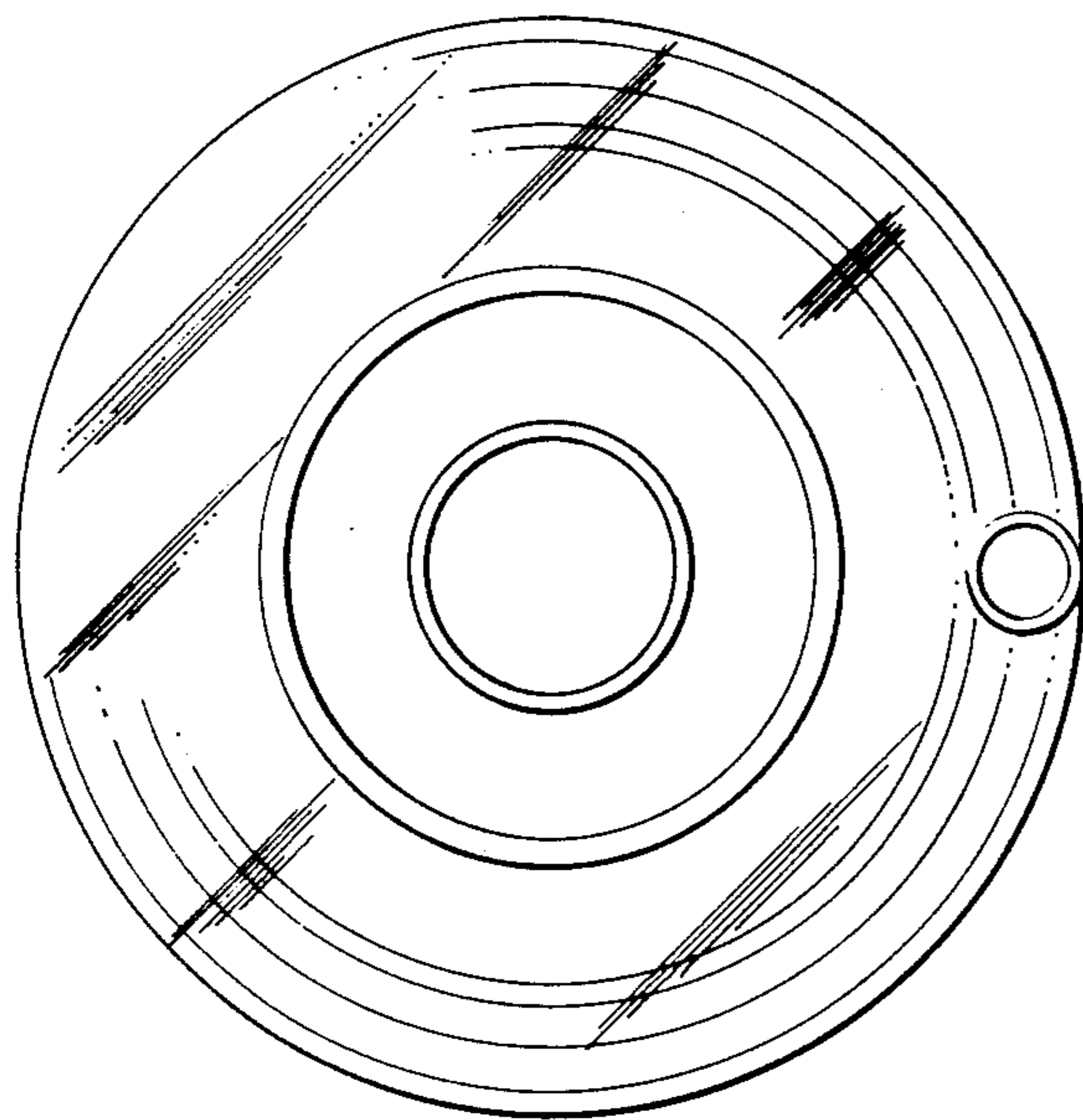


FIG. 3

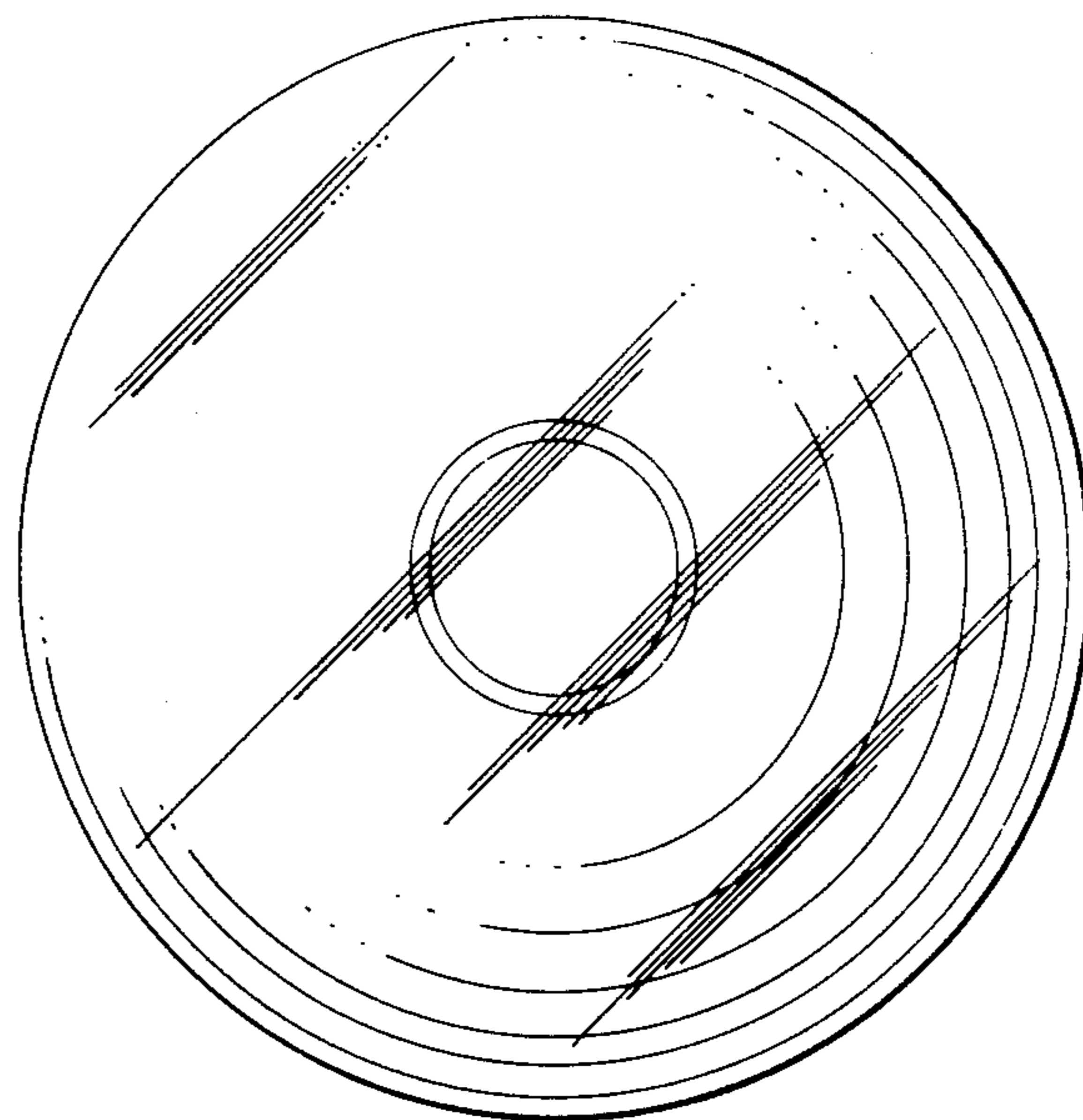


FIG. 4