

[54] **MOISTURE AND HEAT EXCHANGER FOR RESPIRATORY APPARATUS**

[75] Inventor: **Sten G. Gibeck**, Upplands Vasby, Sweden

[73] Assignee: **Louis Gibeck AB**

[**] Term: **14 Years**

[21] Appl. No.: **818,729**

[22] Filed: **Jul. 25, 1977**

[30] **Foreign Application Priority Data**

Jan. 28, 1977 [SE] Sweden 770203

[51] Int. Cl. **D24-02**

[52] U.S. Cl. **D24/52; D24/21; D23/4; D23/149**

[58] Field of Search **D23/136, 40, 43, 149, D23/3, 4; 165/154; 128/185, 208, 188, 305.3, 306; D24/53, 21**

[56] **References Cited**

U.S. PATENT DOCUMENTS

D. 235,035	4/1975	Rosenberg	D24/21
3,236,236	2/1966	Hudson	128/185
3,345,047	10/1967	Gooden	128/188 X
3,922,525	11/1975	Kozak et al.	128/2.08 X
3,941,573	3/1976	Chapel	128/188

OTHER PUBLICATIONS

Anchor Coupling Co. Inc., catalog No. 404, ©1963, p. 48, "O" Ring Weld Fitting.

Primary Examiner—Bernard Ansher
Attorney, Agent, or Firm—Eric H. Waters

[57] **CLAIM**

The ornamental design for moisture and heat exchanger for respiratory apparatus, as shown and described.

DESCRIPTION

FIG. 1 is a perspective view of a moisture and heat exchanger for respiratory apparatus showing my new design; and

FIG. 2 is a side elevation thereof.

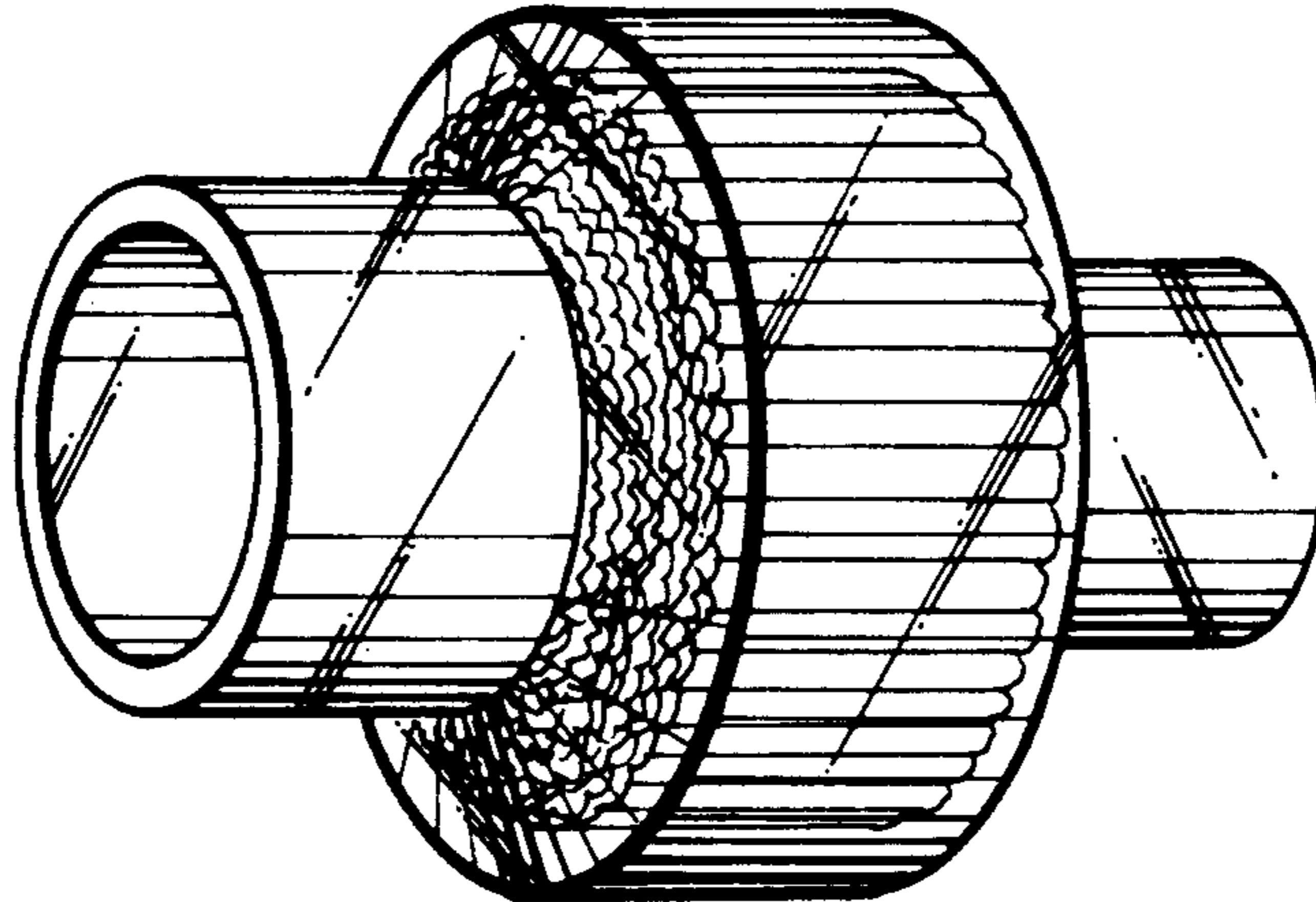


FIG. 1

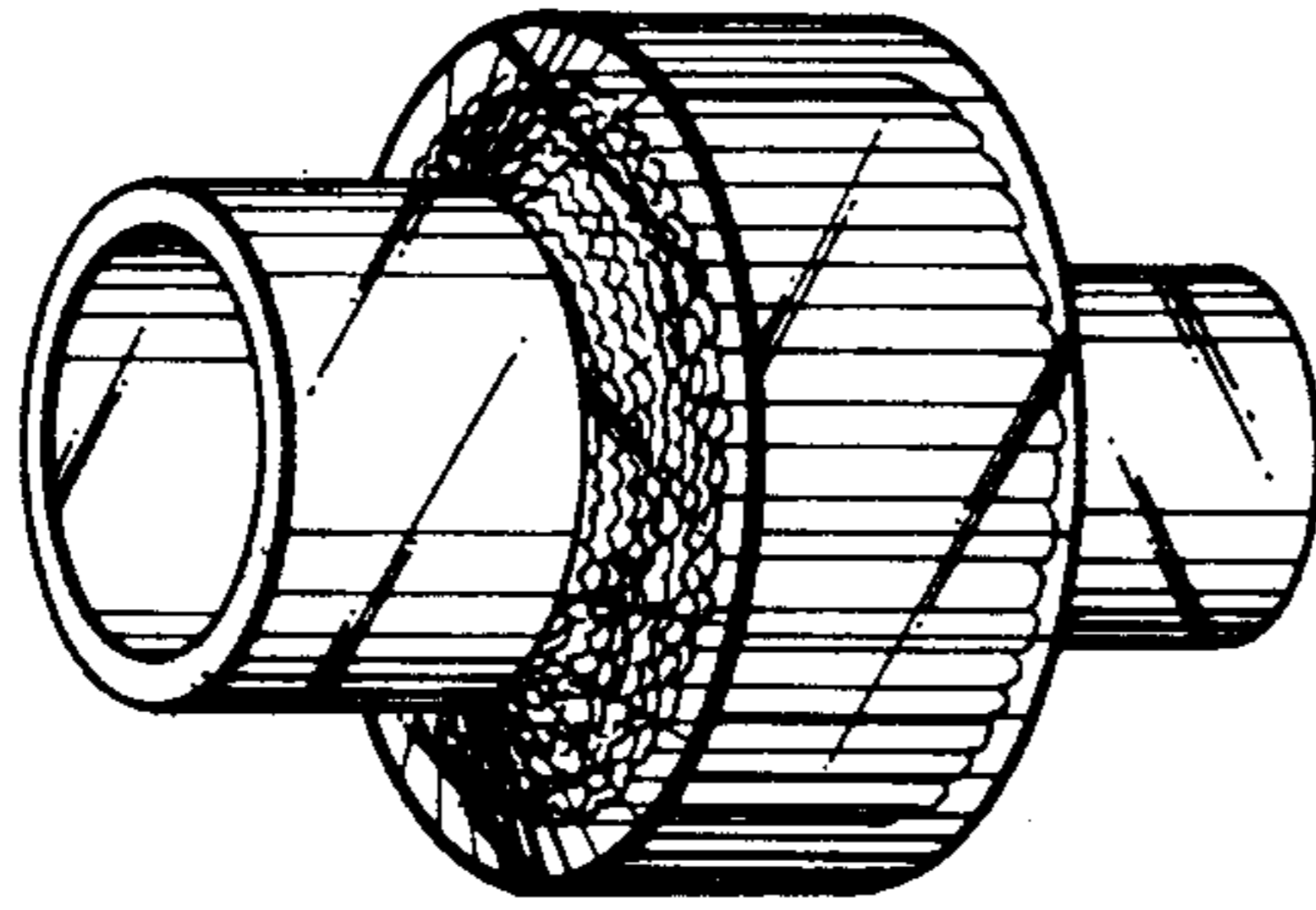


FIG. 2

