

[54] FIREPLACE HEAT EXCHANGE TUBING DEVICE

4,103,670 8/1978 Bergs ..... 126/121  
4,112,914 9/1978 Brown ..... 126/121

[76] Inventor: Ronald C. DiDonato, 6200 W. Ohio Ave., Lakewood, Colo. 80226

Primary Examiner—Susan J. Lucas  
Assistant Examiner—Catherine Kemper  
Attorney, Agent, or Firm—W. Britton Moore

[\*\*] Term: 14 Years

[57] CLAIM

[21] Appl. No.: 818,822

The ornamental design for a fireplace heat exchange tubing device, substantially as shown.

[22] Filed: Jul. 25, 1977

DESCRIPTION

[51] Int. Cl. .... D23—03

[52] U.S. Cl. .... D23/136; D23/127

[58] Field of Search .... D23/93, 94, 95, 96, D23/97, 127, 136, 43, 45; D7/206; 126/120, 121, 135, 134; 237/51, 55

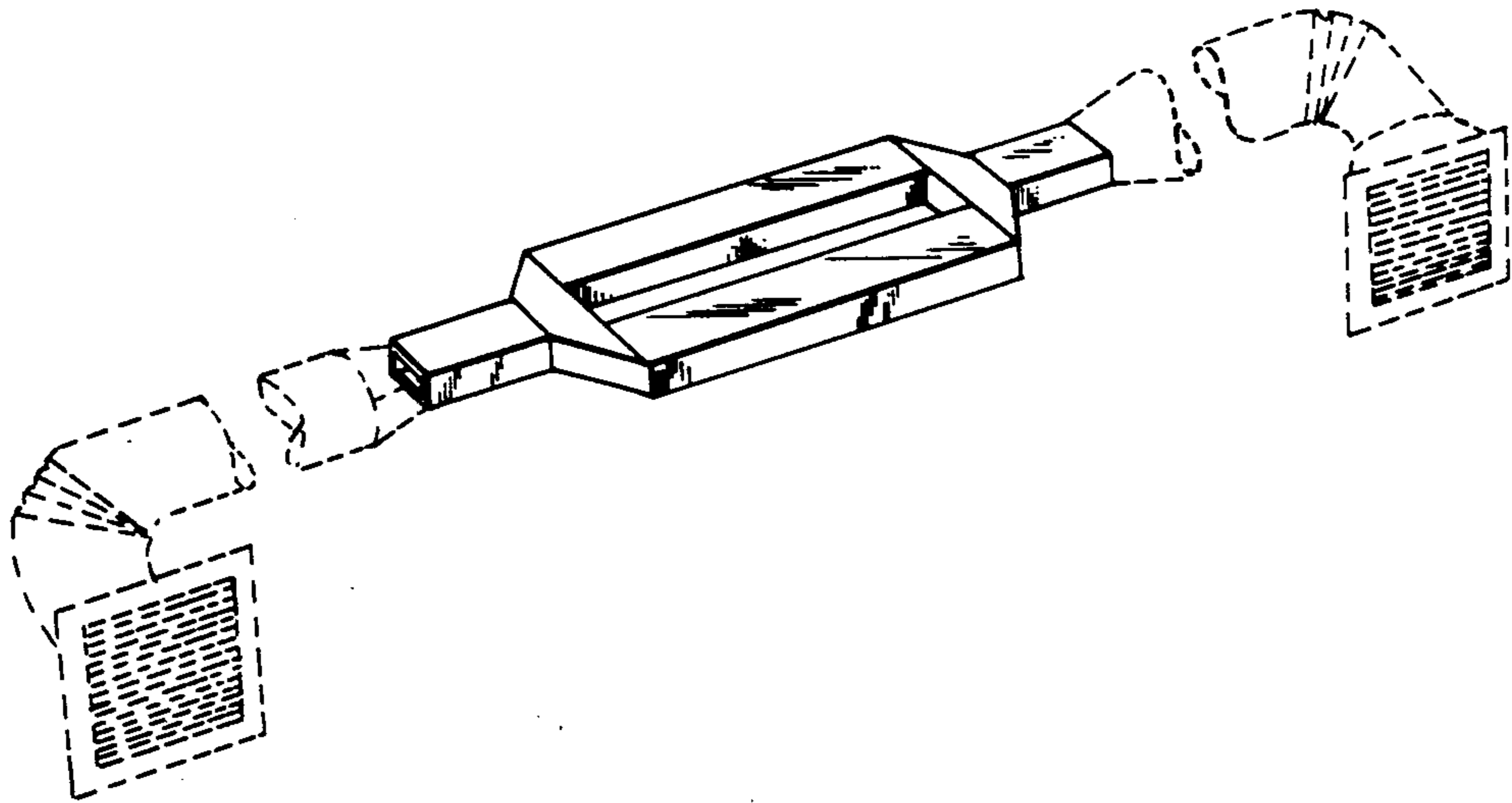
FIG. 1 is a perspective view of a fireplace heat exchange tubing device showing my new design; FIG. 2 is a plan view thereof; FIG. 3 is a side elevational view thereof; FIG. 4 is an end elevational view thereof; and FIG. 5 is an elevational view of the opposite end thereof.

[56] References Cited

U.S. PATENT DOCUMENTS

4,060,196 11/1977 Goldsby et al. .... 126/121 X  
4,102,320 7/1978 Mastropole ..... 126/121

The broken line disclosure of an air inlet fan and grille and an outlet grille in FIG. 1 is for illustrative purposes only and forms no part of the claimed design.



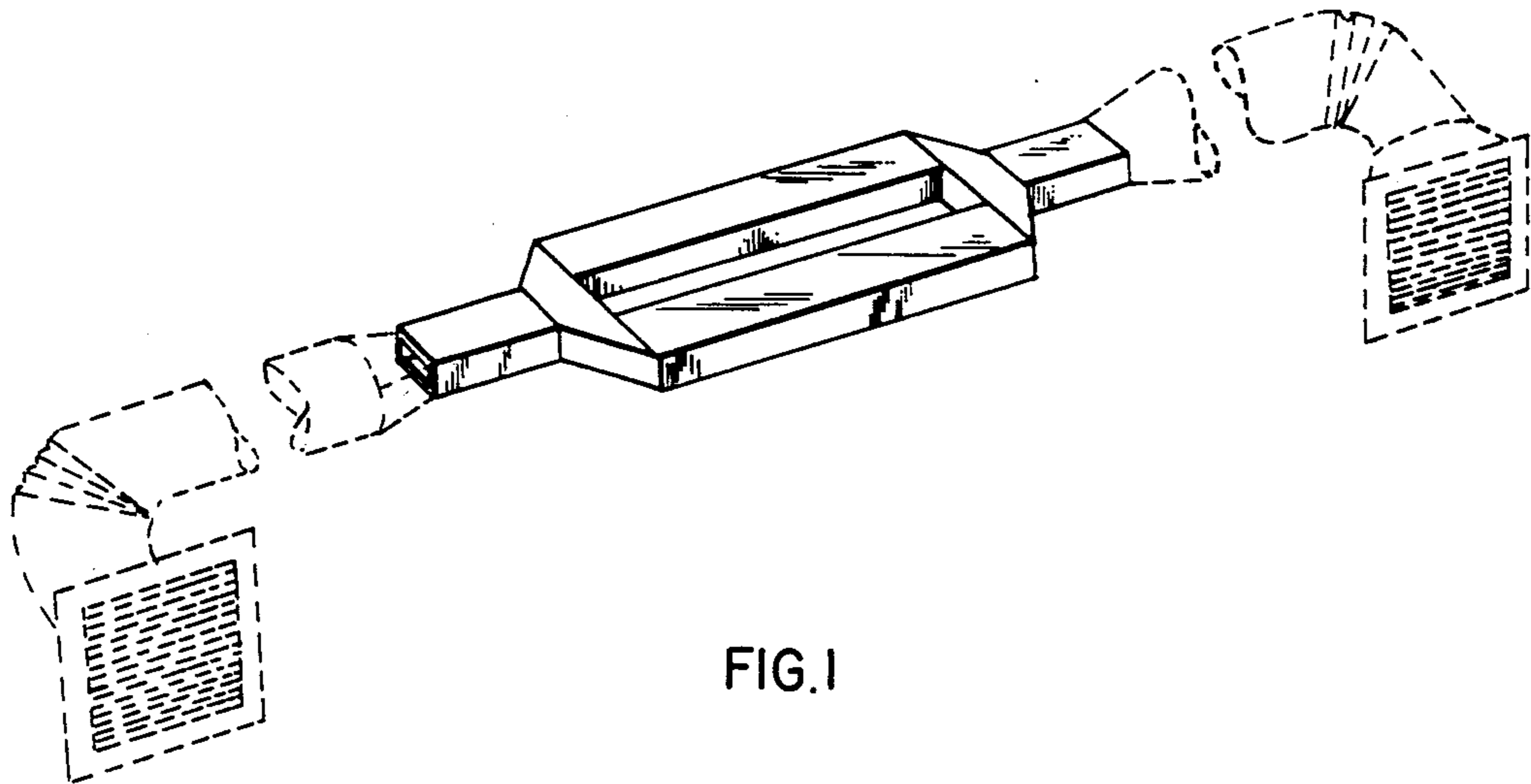


FIG. 1

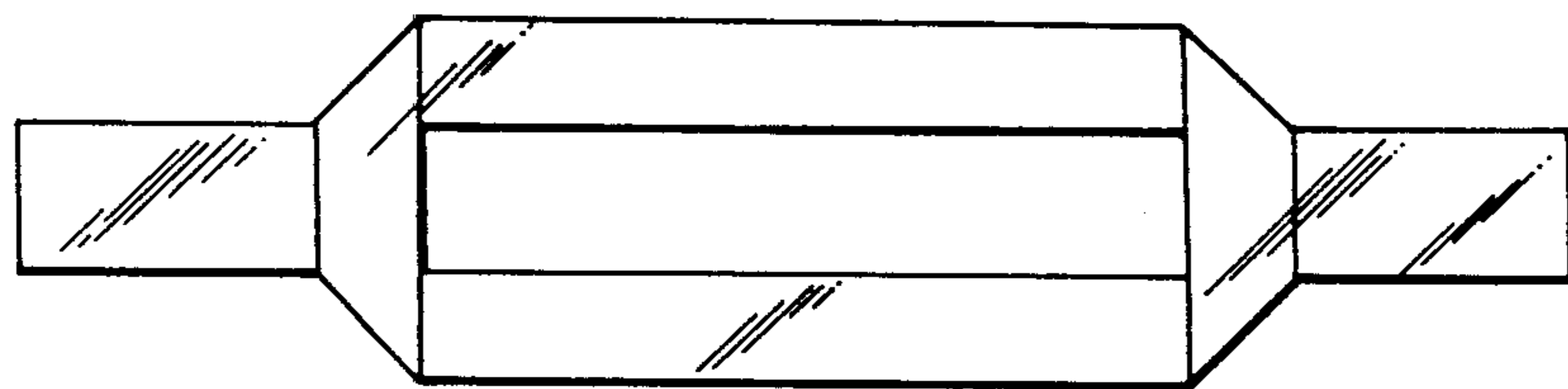


FIG. 2



FIG. 3



FIG. 4



FIG. 5