

[54] ELECTRIC SELF CONTAINED KETTLE

[76] Inventor: William M. Bardeau, 158 Norfinch Dr., Downsview, Ontario, Canada, M3N 1Y1

[**] Term: 14 Years

[21] Appl. No.: 804,081

[22] Filed: Jun. 13, 1977

[51] Int. Cl. D15-08
[52] U.S. Cl. D15/104
[58] Field of Search D15/92, 104; 126/345, 126/348, 349, 369, 373-377; 426/510, 511; 99/410, 467

[56] References Cited
PUBLICATIONS

Food Service Equipment Product Directory-'74-p. 71, Steam Kettles-Models DL and D2.

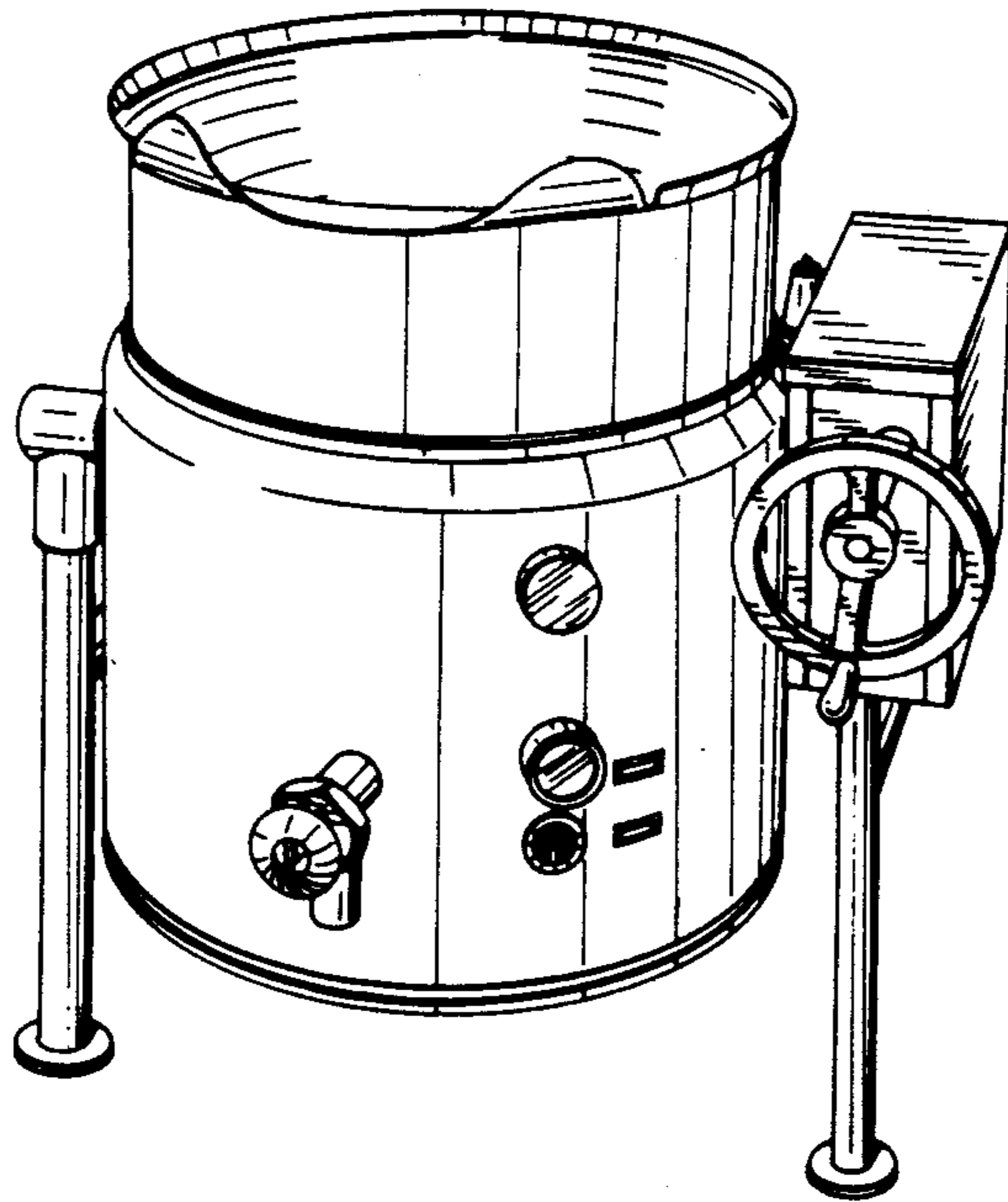
Primary Examiner-Wallace R. Burke
Assistant Examiner-Catherine Kemper
Attorney, Agent, or Firm-Weldon F. Green

[57] CLAIM

The ornamental design for an electric self contained kettle, as shown.

DESCRIPTION

FIG. 1 is a front perspective view of an electric self contained kettle showing my new design; FIG. 2 is a top plan view thereof; FIG. 3 is a right side elevational view thereof; FIG. 4 is a rear perspective view thereof; and FIG. 5 is a left side elevational view thereof.



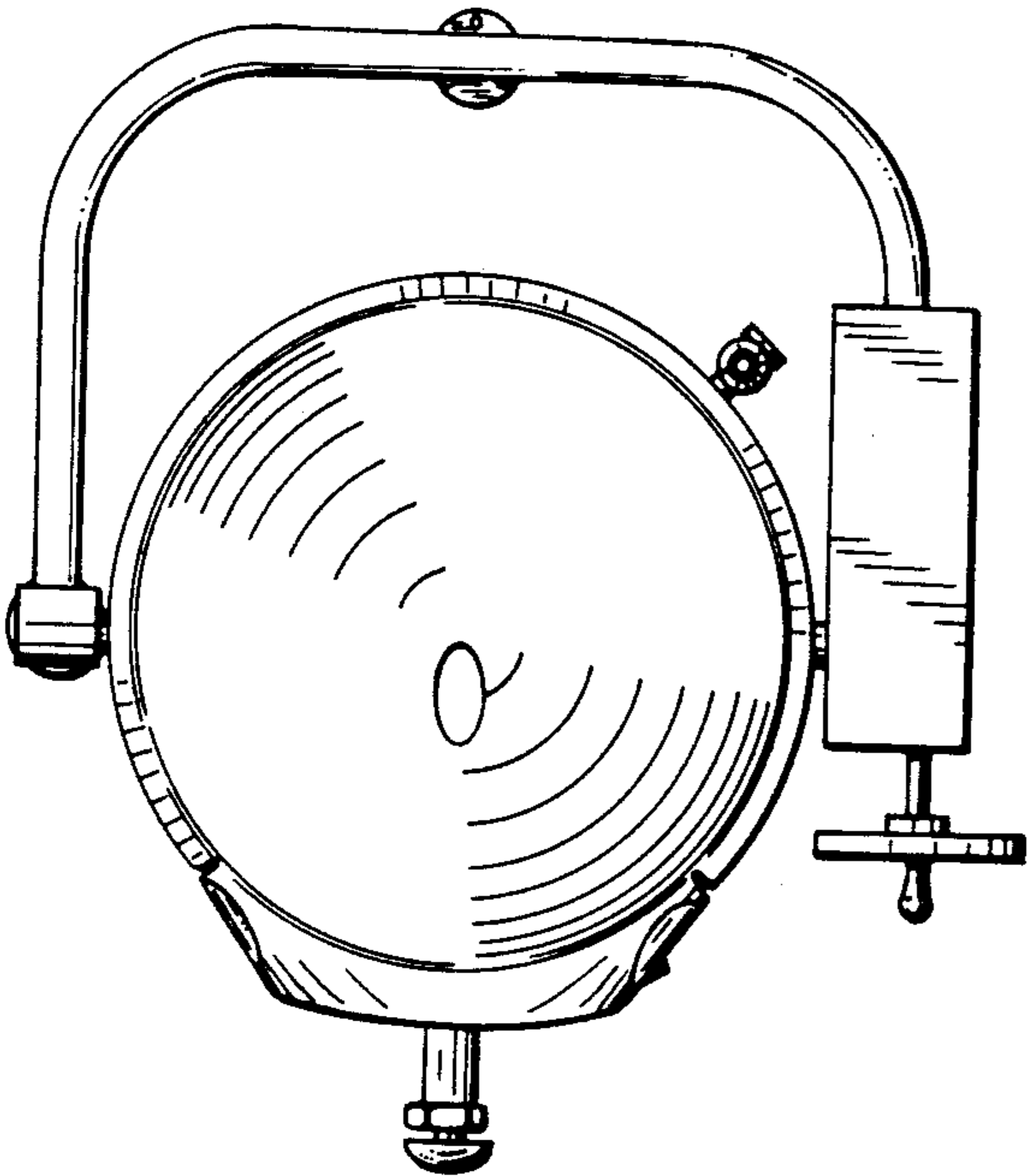


FIG. 2

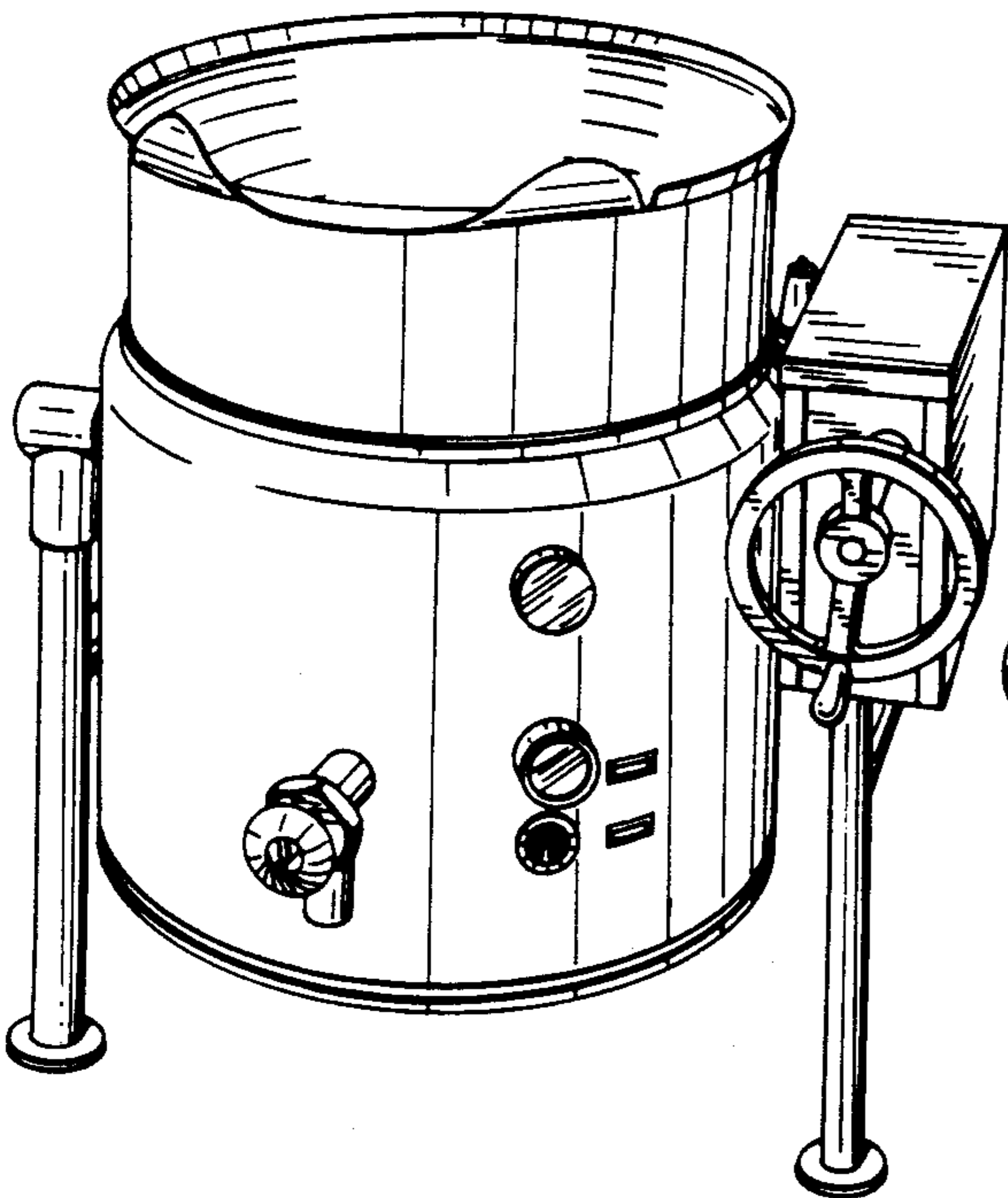


FIG. 1

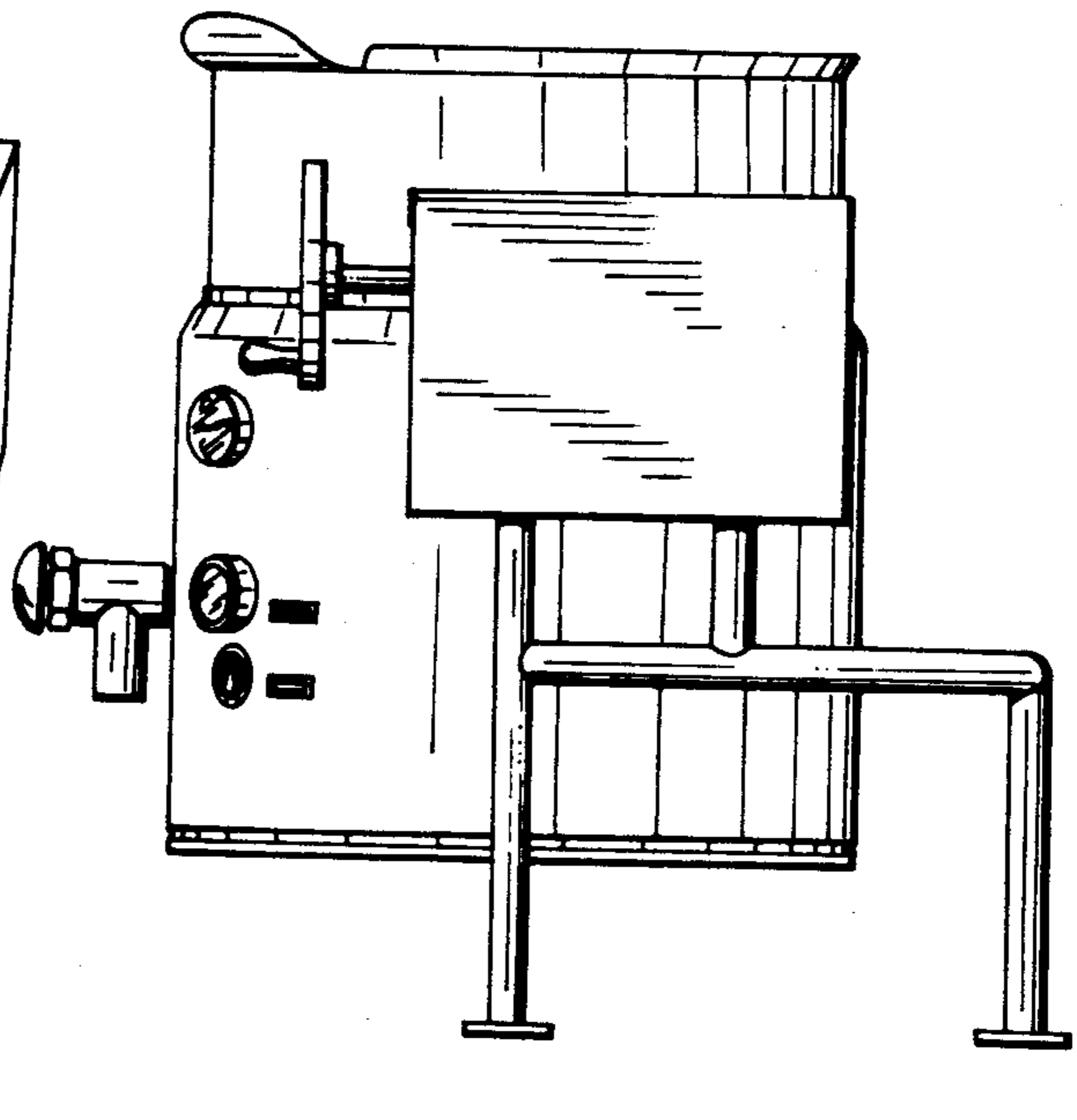


FIG. 3

FIG.5

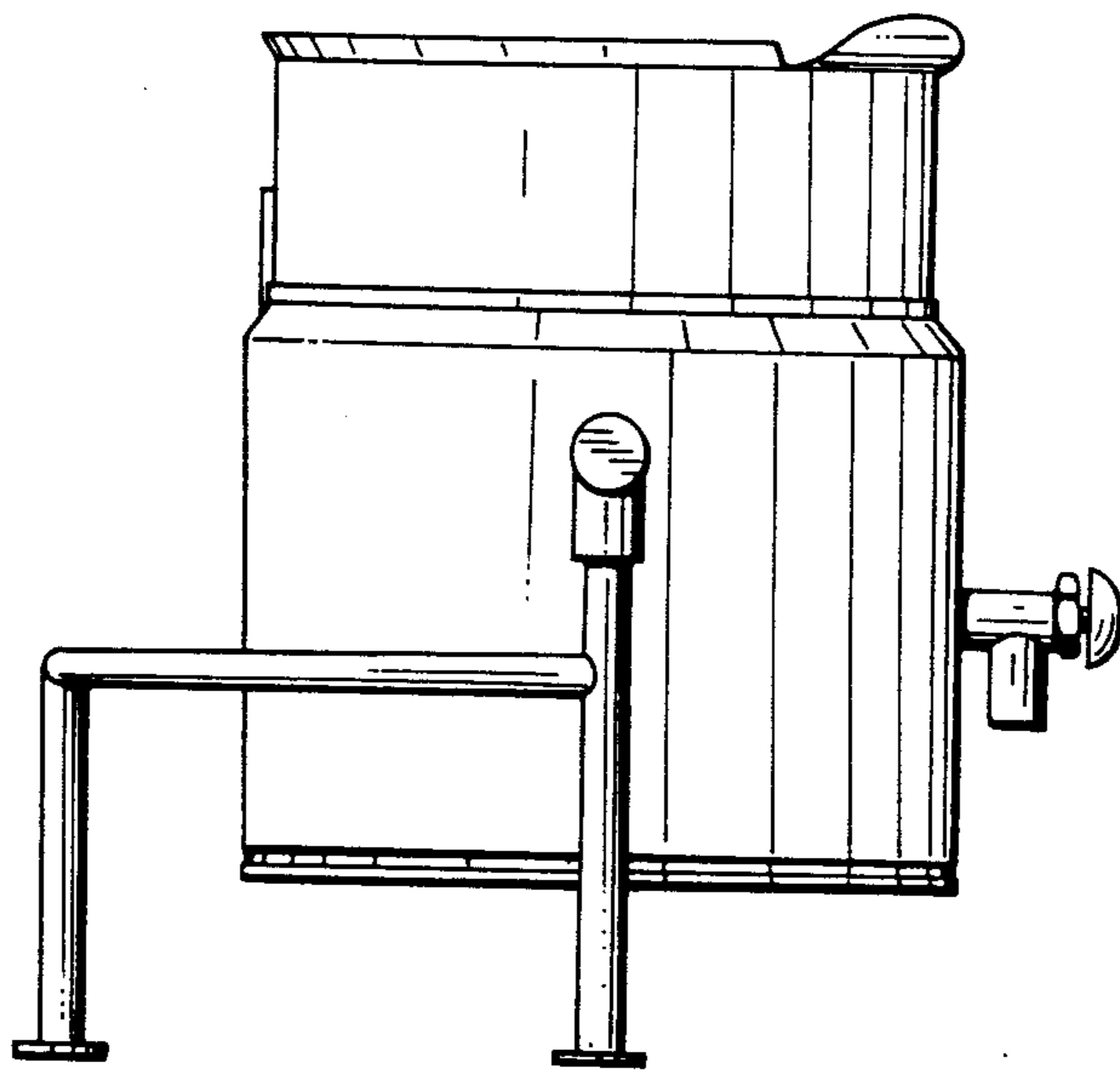


FIG.4

