

[54] SEWING MACHINE

[75] Inventors: Christian J. Felix, Flushing, N.Y.;
Donald M. Genaro, Haworth;
Stephen J. Illes, Scotch Plains, both
of N.J.

[73] Assignee: The Singer Company

[**] Term: 14 Years

[21] Appl. No.: 784,015

[22] Filed: Apr. 4, 1977

[51] Int. Cl. D15-06

[52] U.S. Cl. D15/69

[58] Field of Search D15/66-76,
D15/78

[56] References Cited

U.S. PATENT DOCUMENTS

D. 223,057 3/1972 Genaro D15/76

D. 223,059 3/1972 Genaro D15/76
D. 232,266 7/1974 Current D15/69
D. 232,383 8/1974 Genaro D15/76
D. 232,385 8/1974 Ballone D15/76

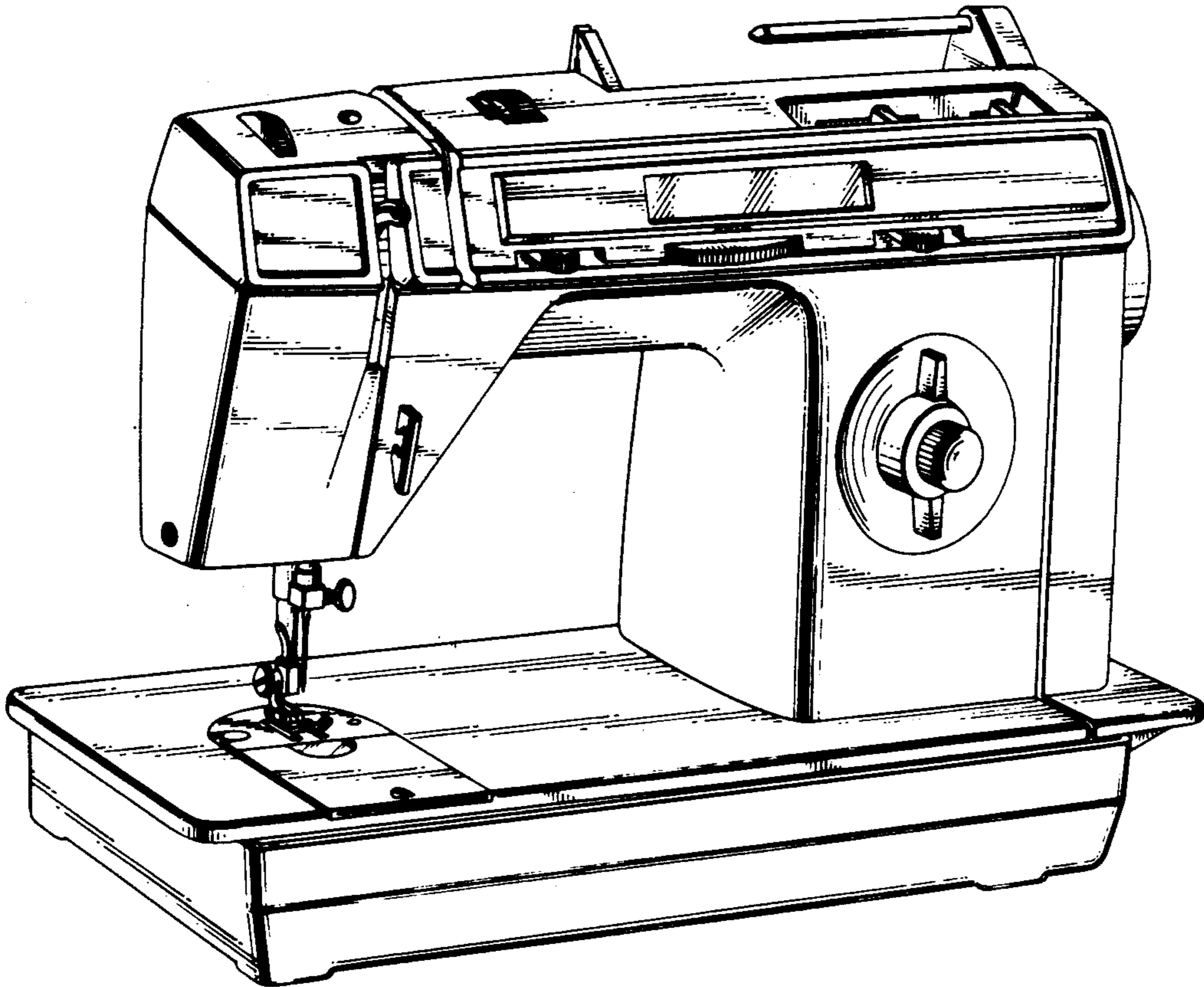
Primary Examiner—Joel Stearman
Assistant Examiner—Jane E. Corrigan
Attorney, Agent, or Firm—Robert E. Smith

[57] CLAIM

The ornamental design for a sewing machine, substan-
tially as shown and described.

DESCRIPTION

FIG. 1 is a front perspective view of a sewing machine
showing our new design;
FIG. 2 is a rear elevational view thereof;
FIG. 3 is a front elevational view thereof;
FIG. 4 is a left side elevational view thereof;
FIG. 5 is a right side elevational view thereof;
FIG. 6 is a top plan view thereof; and,
FIG. 7 is a bottom plan view thereof.



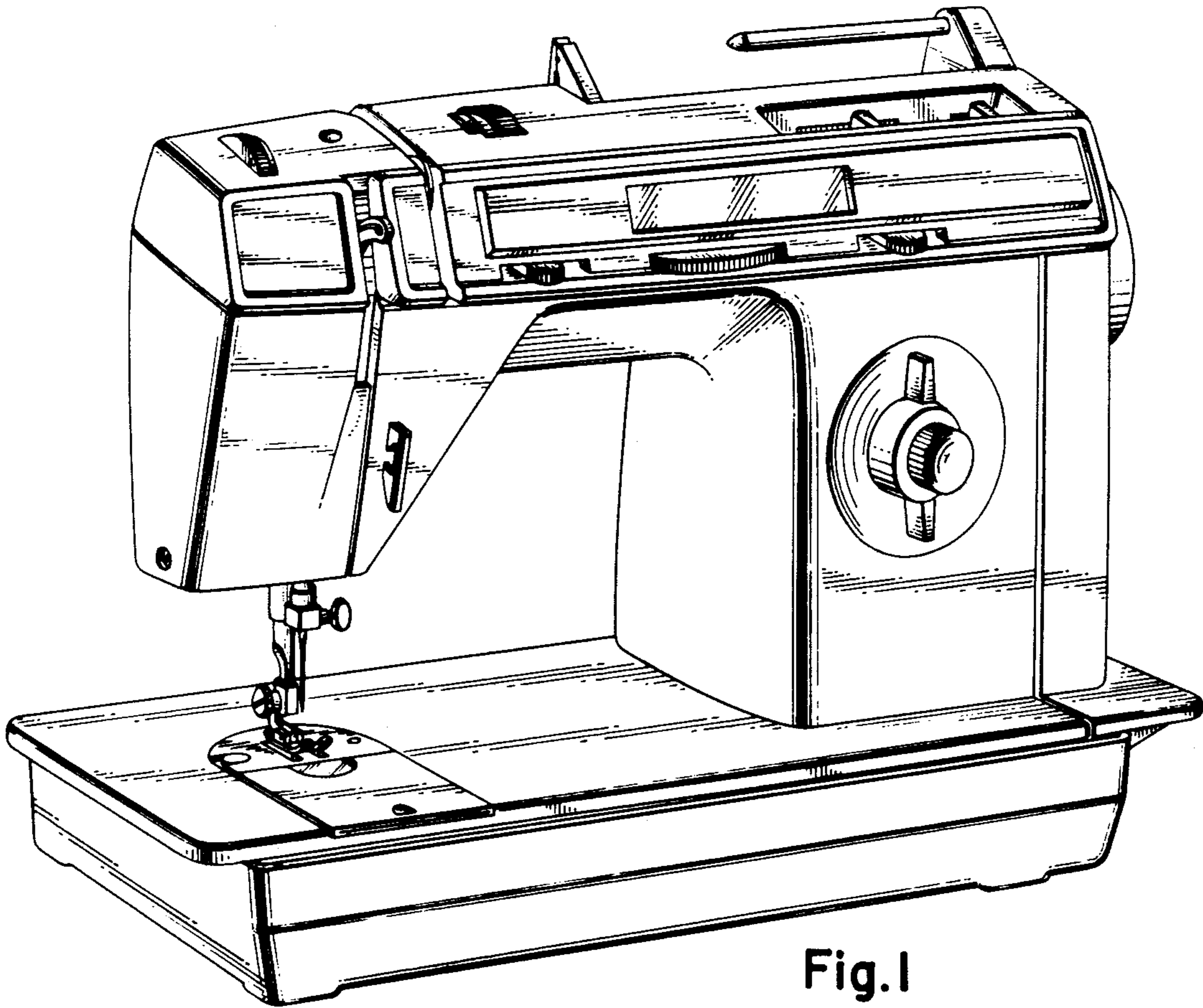


Fig. 1

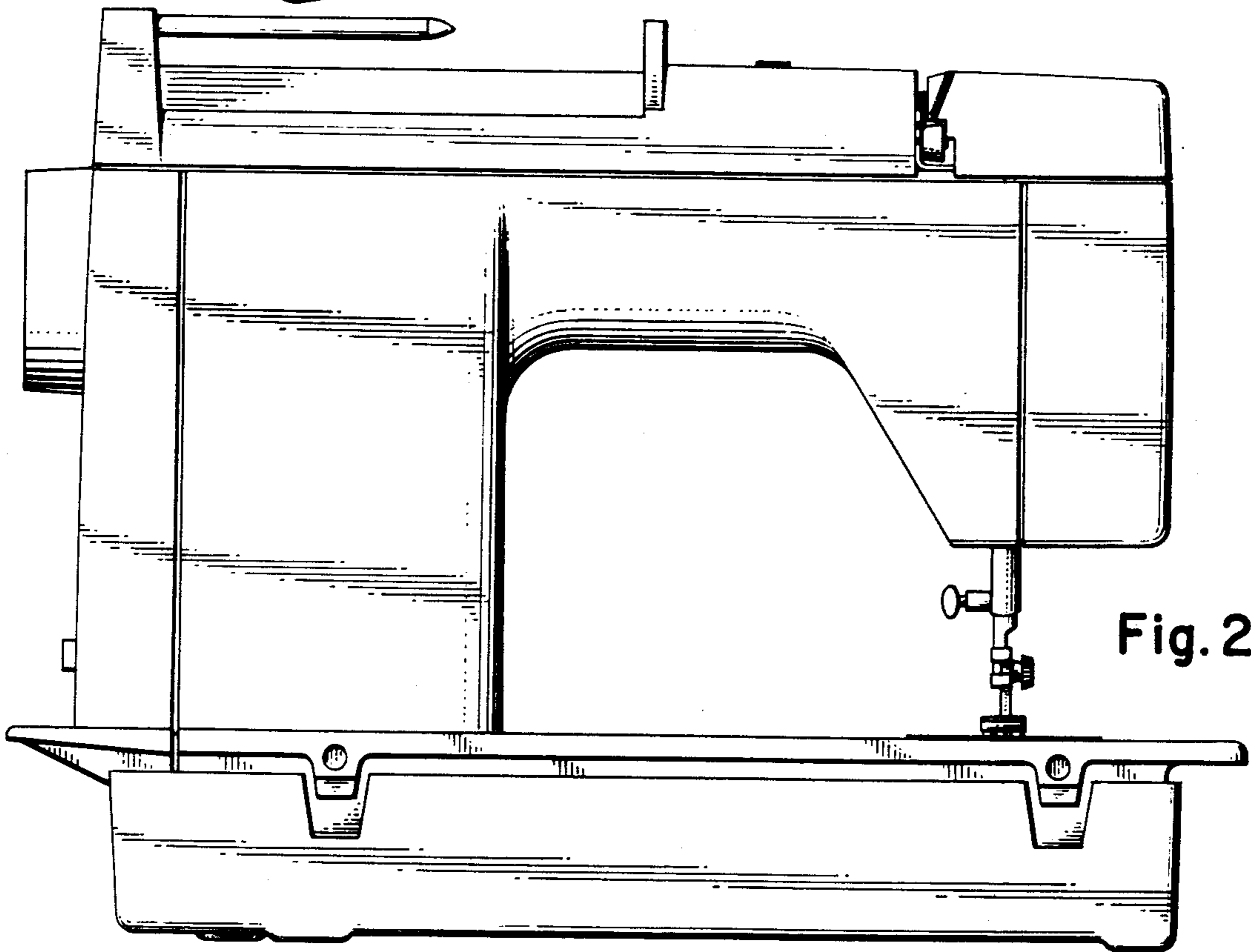


Fig. 2

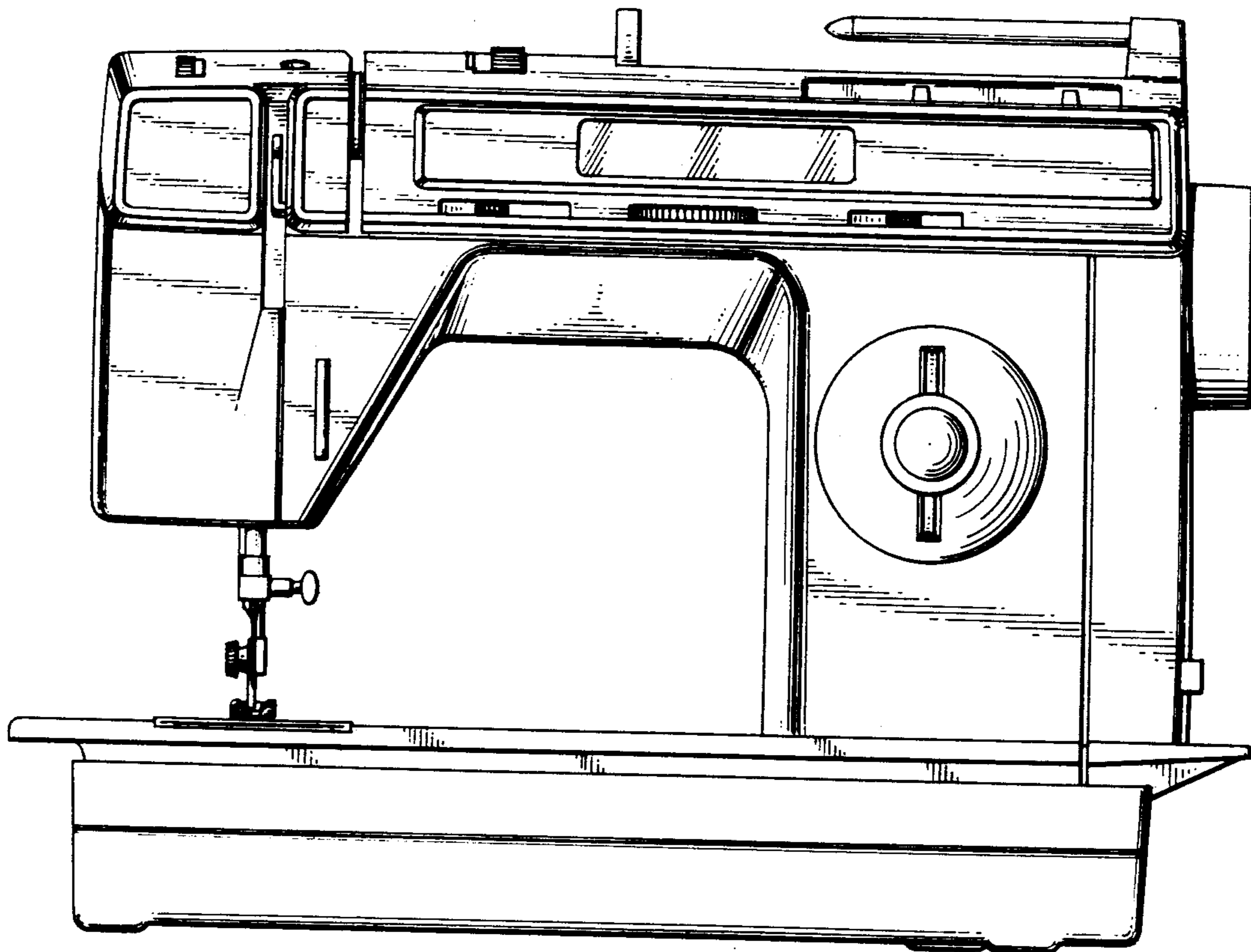


Fig. 3

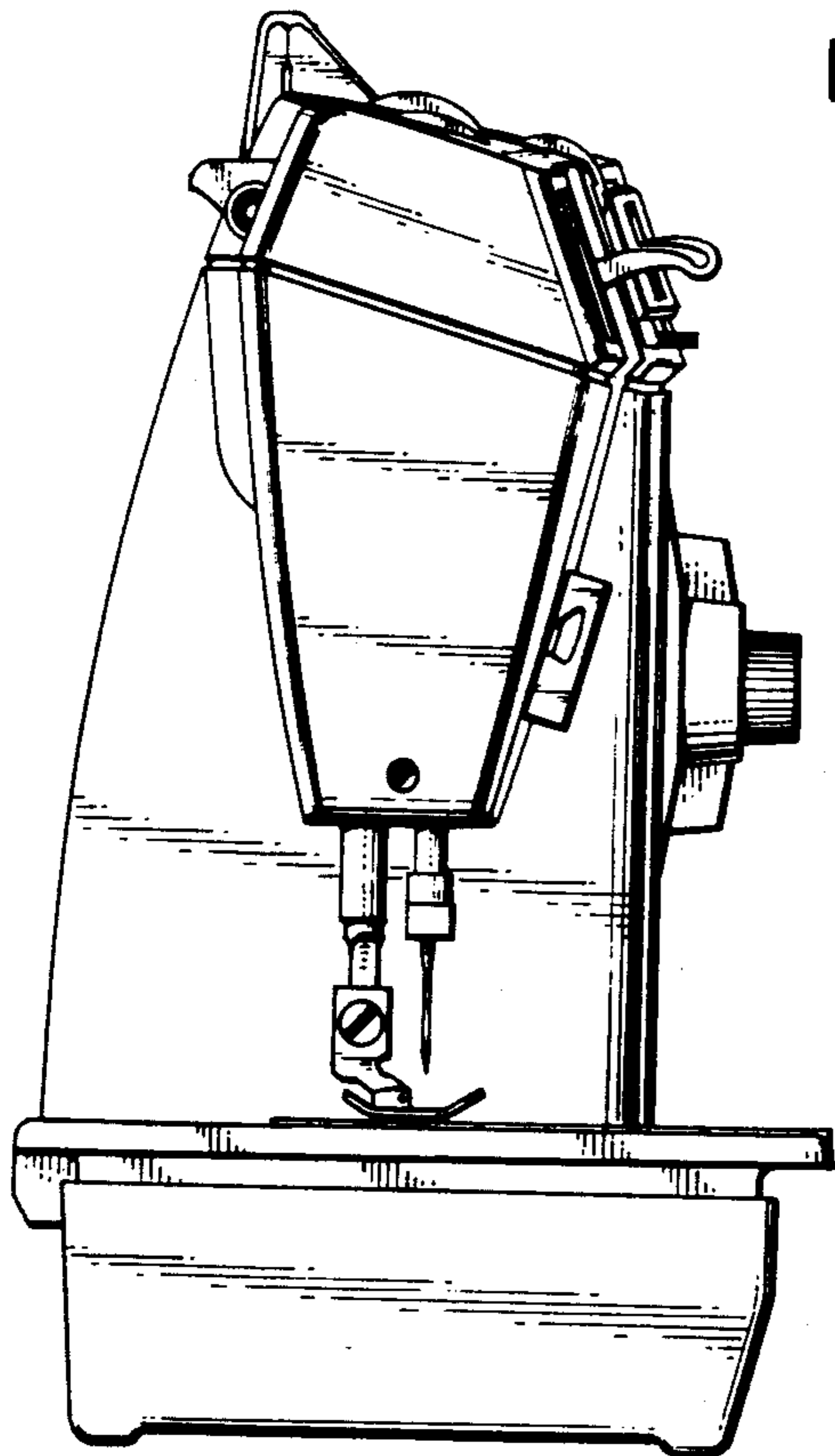


Fig. 4

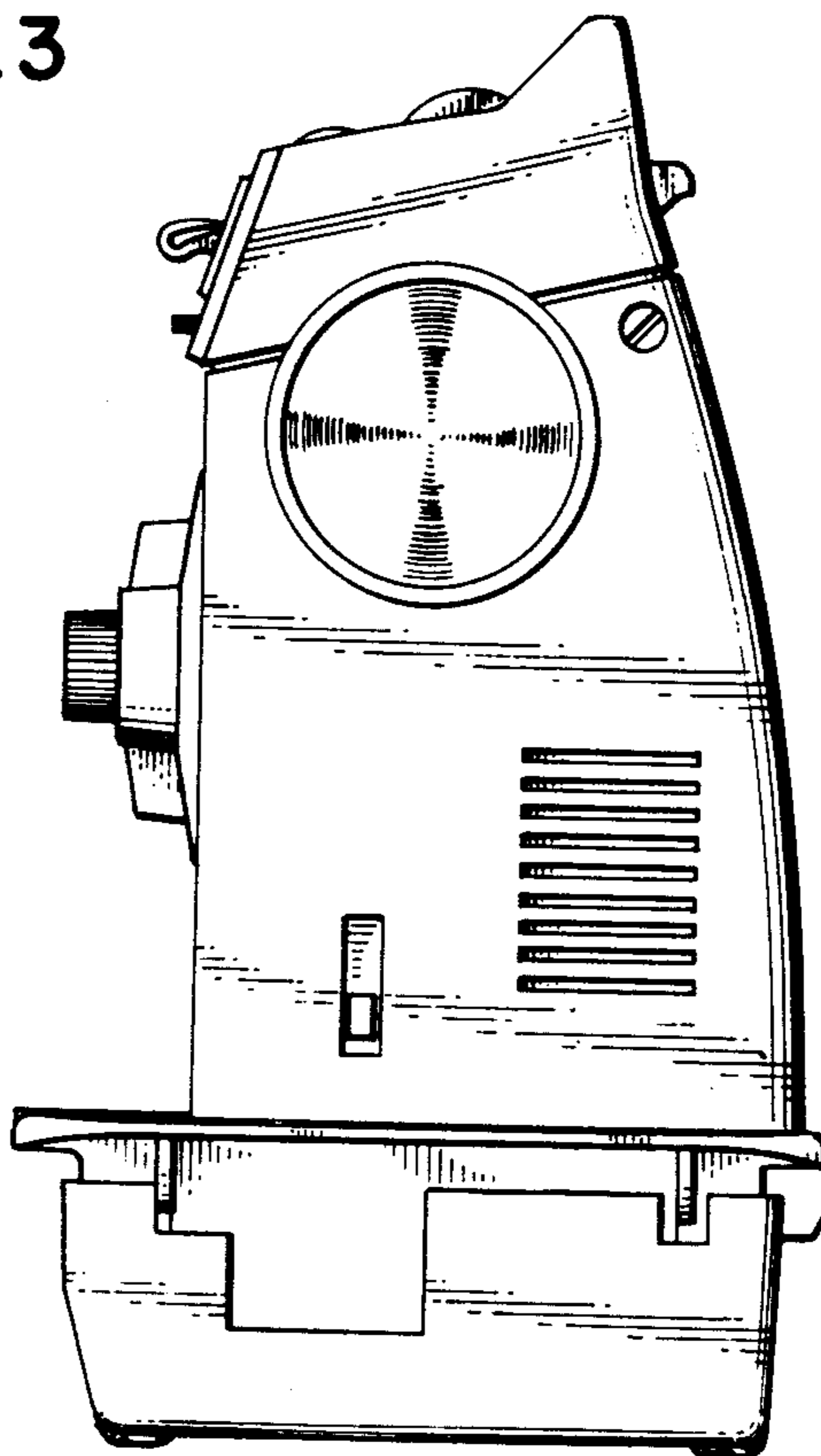


Fig. 5

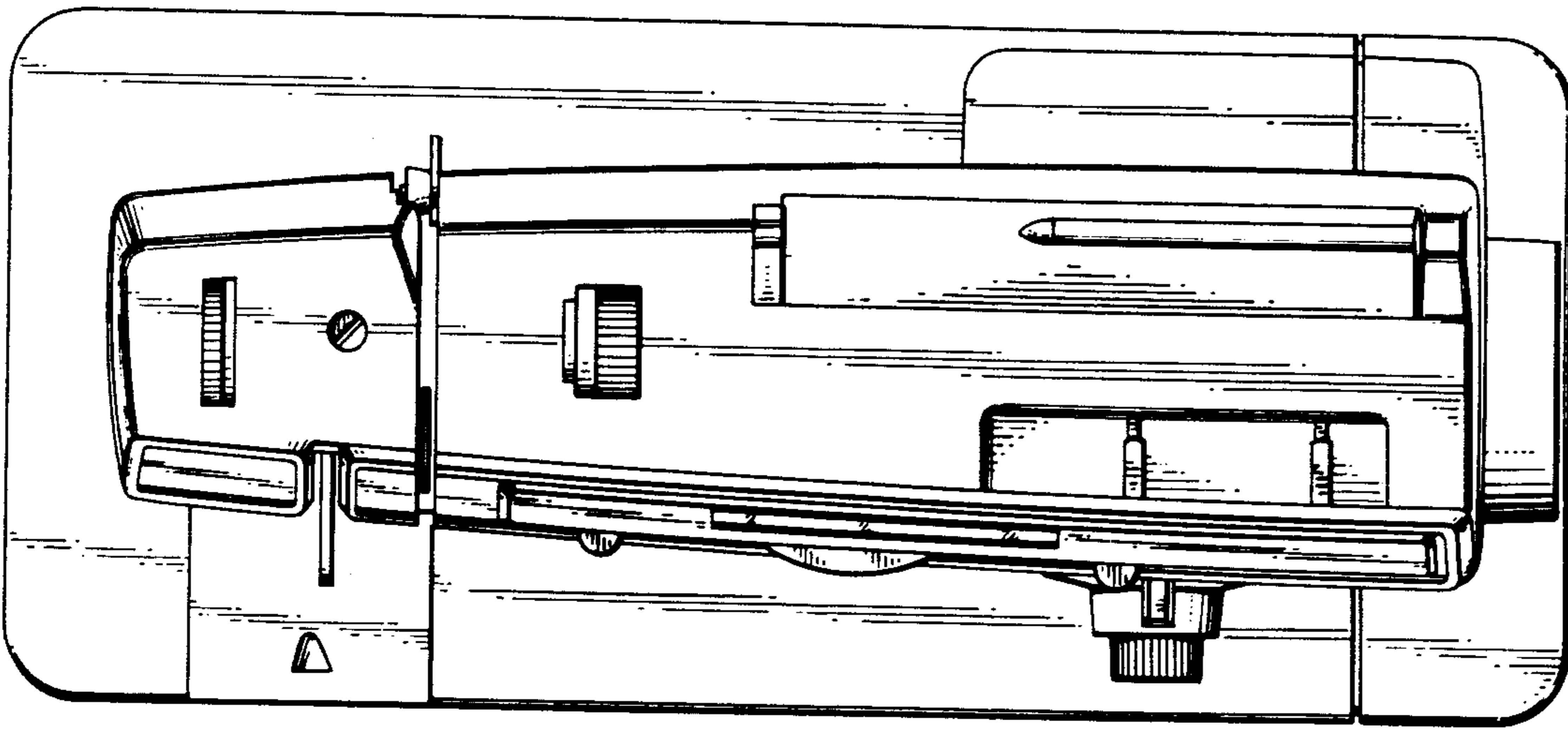


Fig. 6

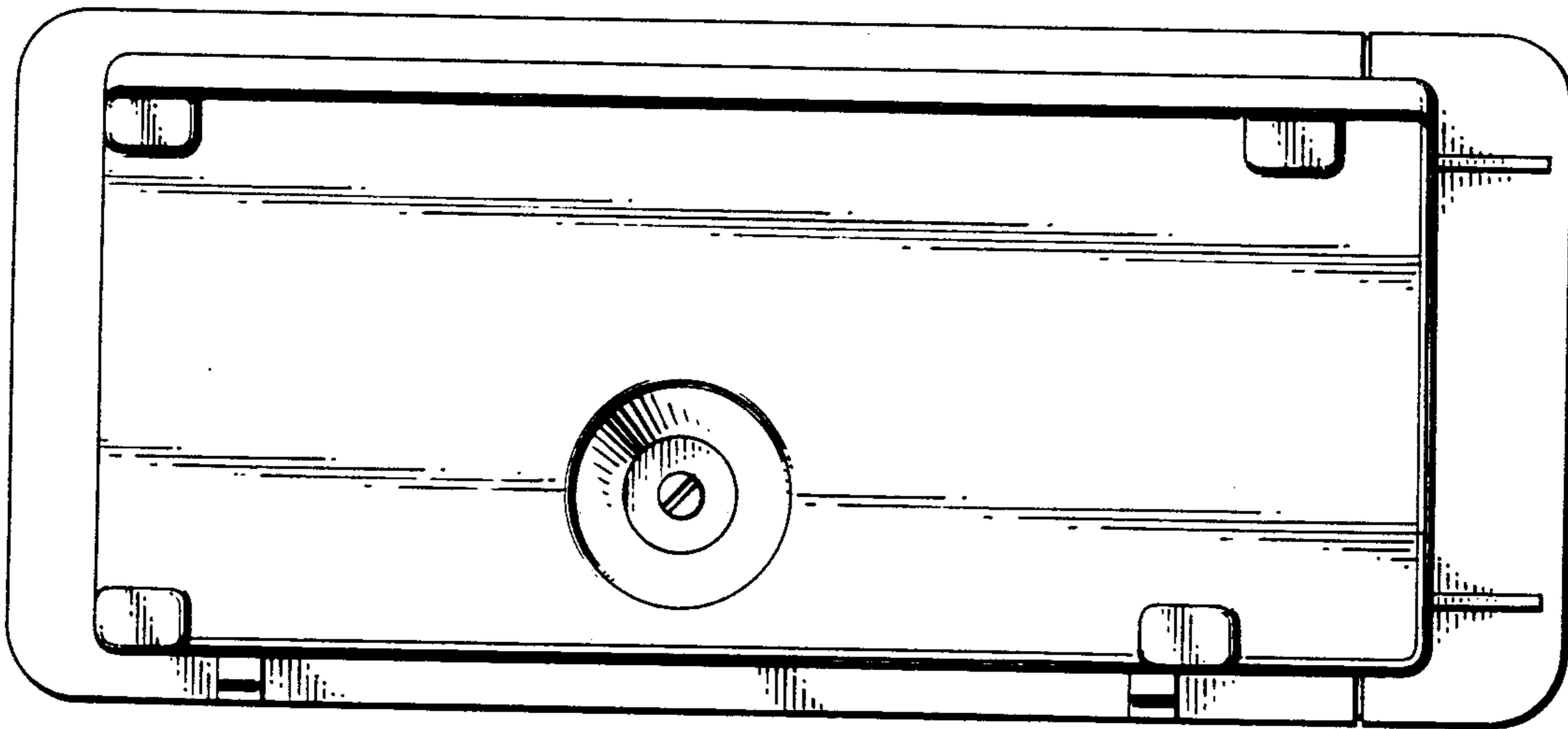


Fig. 7