

[54] **FLAPPER VALVE HOUSING FOR A CONCRETE PUMP OR THE LIKE**

[75] Inventor: **John T. McGraw, Laguna Beach, Calif.**

[73] Assignee: **Thomsen Equipment Company, Gardena, Calif.**

[**] Term: **14 Years**

[21] Appl. No.: **798,913**

[22] Filed: **May 20, 1977**

[51] Int. Cl. **D15-02**

[52] U.S. Cl. **D15/7**

[58] Field of Search **D23/19-22; D15/7-9; 417/516, 517, 518, 519, 8, 900; 137/375, 8, 625.43**

[56] **References Cited**

U.S. PATENT DOCUMENTS

Re. 26,820	3/1970	Bennett	417/317
D. 202,835	11/1966	Bennett	D15/7
D. 202,836	11/1966	Bennett	D15/7
D. 235,545	6/1975	Cox	D23/19

D. 238,424	1/1976	Schoepe et al.	D23/19
3,194,271	7/1965	Viessmann	137/625.43
3,295,554	1/1967	Huppert	137/625.43
3,545,893	12/1970	Schlecht	417/517 W
3,829,254	8/1974	Stetter et al.	417/517

FOREIGN PATENT DOCUMENTS

1024299	2/1958	Fed. Rep. of Germany	137/625.43
1280109	11/1960	France	137/625.43

Primary Examiner—James R. Largen
Attorney, Agent, or Firm—Edward J. DaRin

[57] **CLAIM**

The ornamental design for a flapper valve housing for a concrete pump or the like, substantially as shown.

DESCRIPTION

FIG. 1 is a top plan view of the flapper valve housing for a concrete pump, or the like, showing my new design;
FIG. 2 is a front elevational view thereof;
FIG. 3 is a bottom plan view thereof;
FIG. 4 is a rear elevational view thereof;
FIG. 5 is a right side elevational view thereof;
FIG. 6 is a left side elevational view thereof; and
FIG. 7 is a sectional view taken on line 7-7 of FIG. 1.

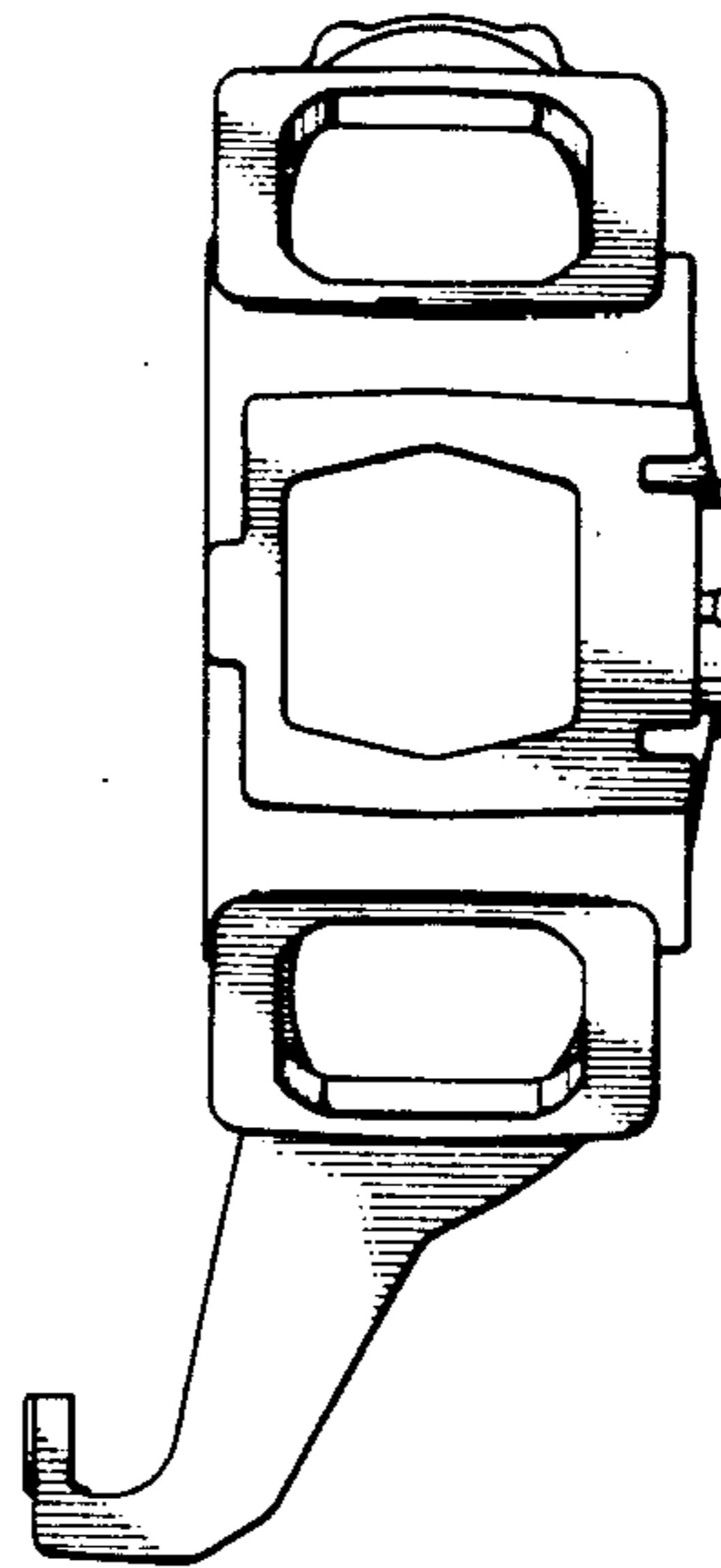
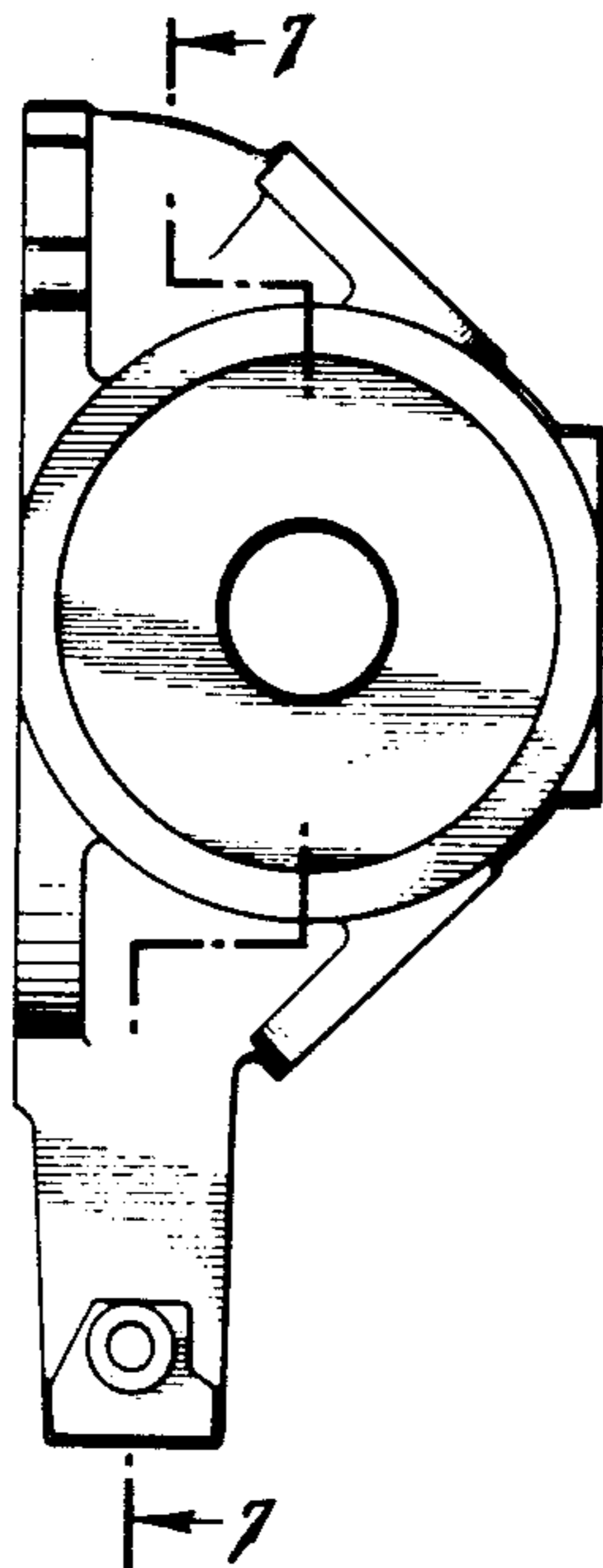


FIG. 1.

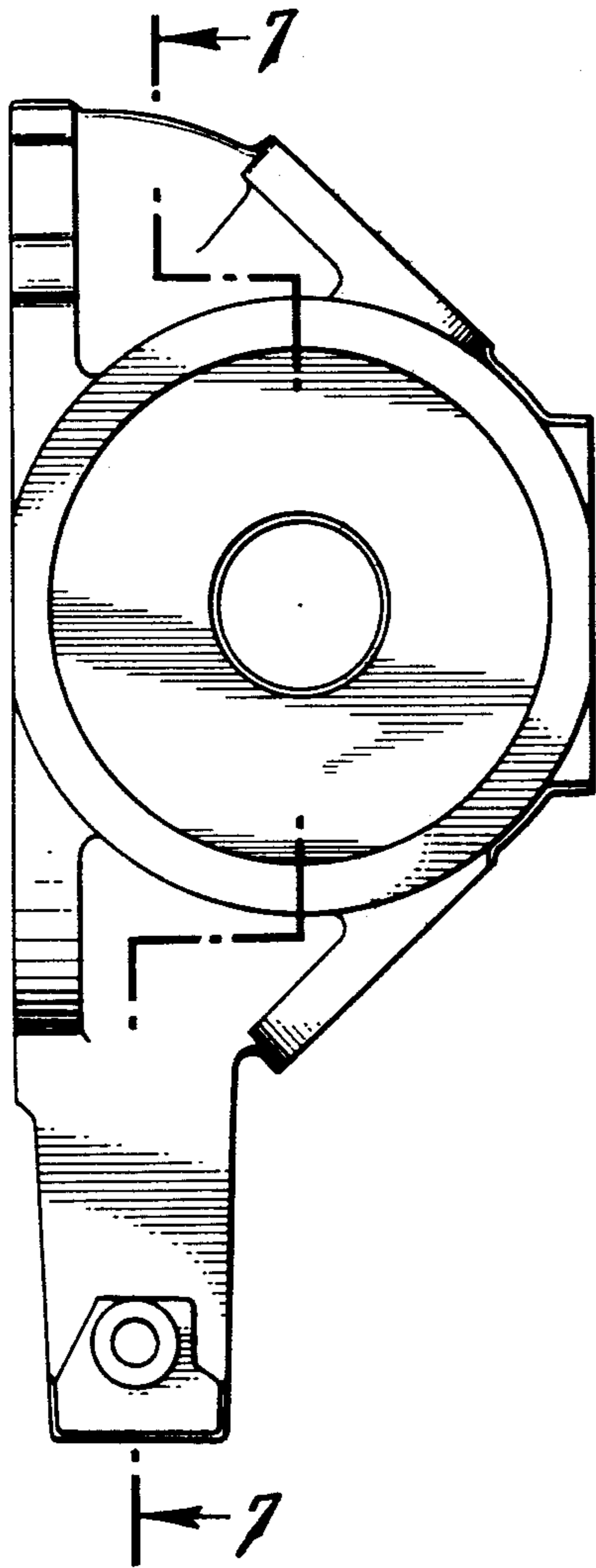


FIG. 2.

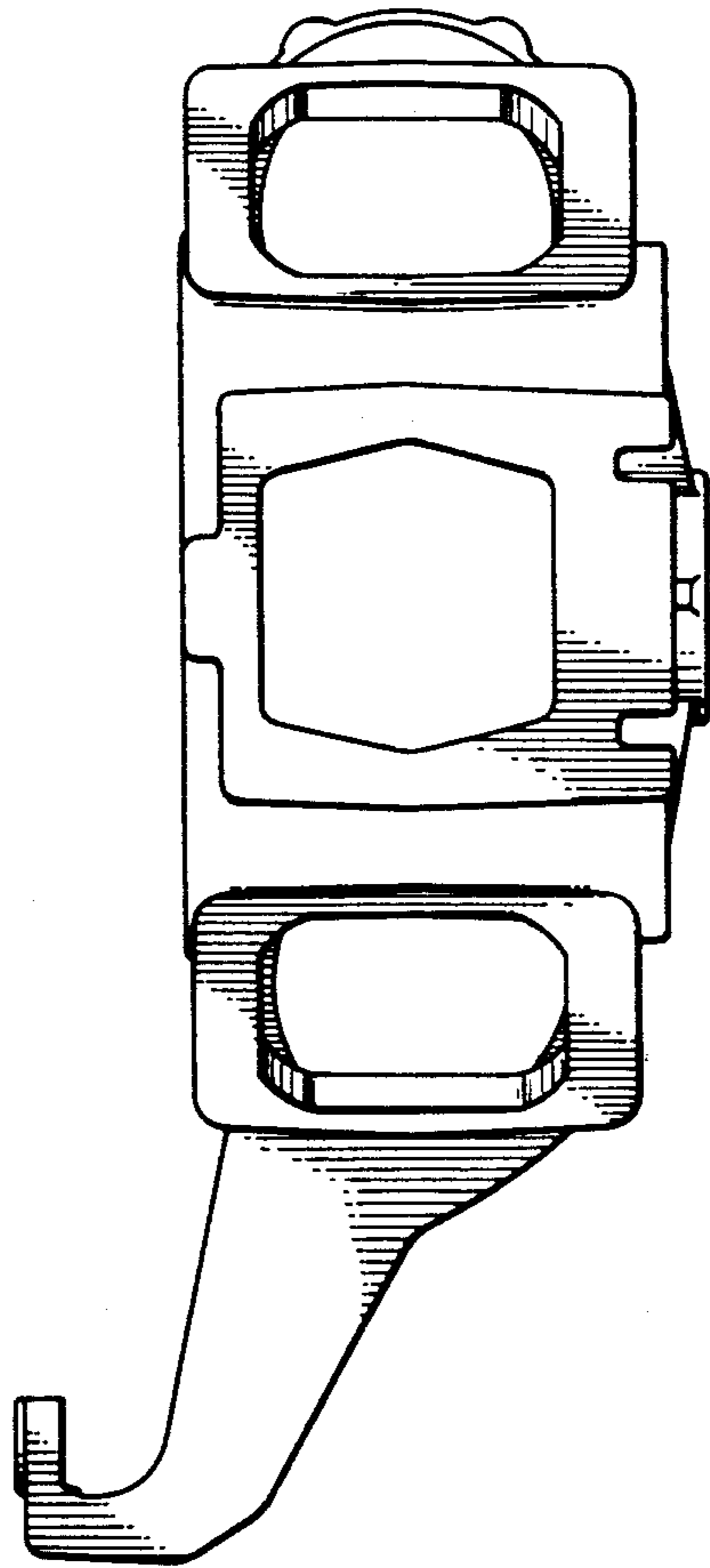


FIG. 3.

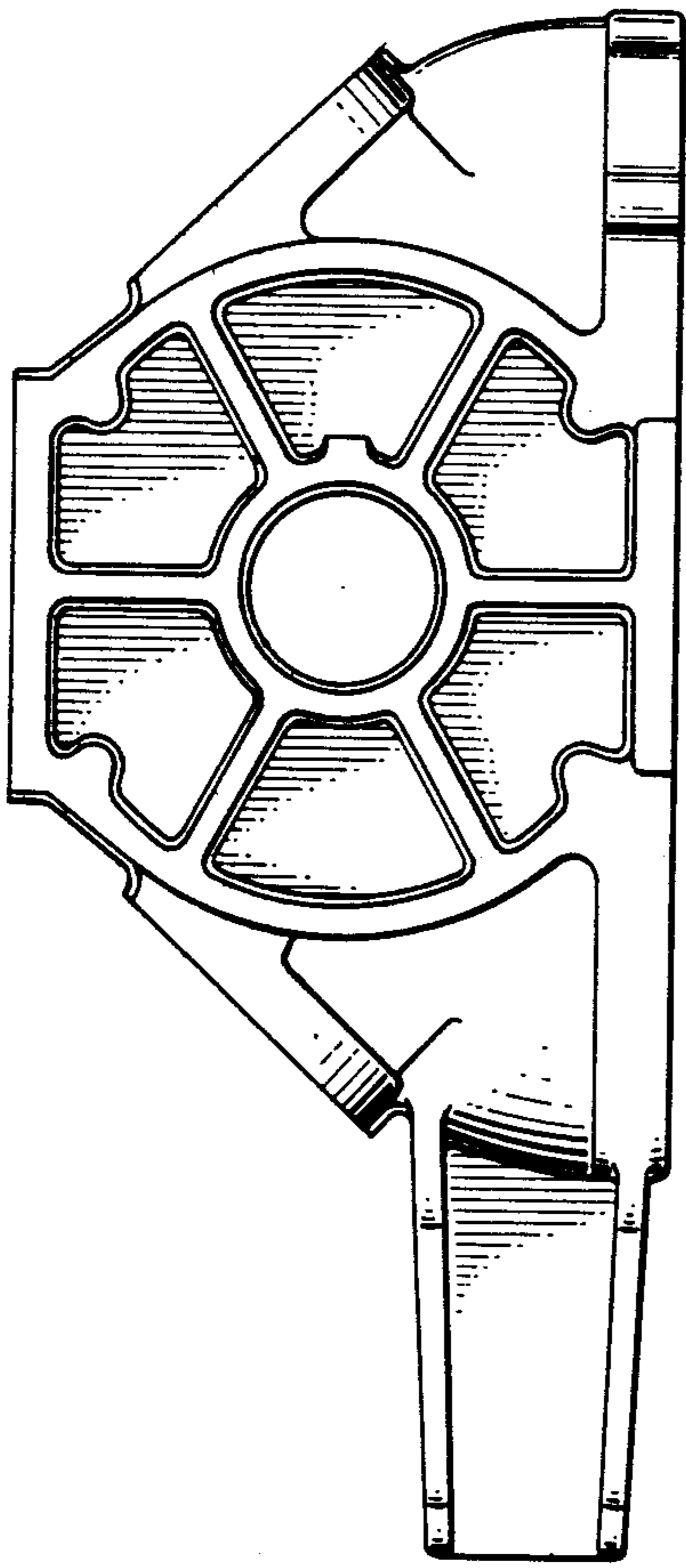


FIG. 4.

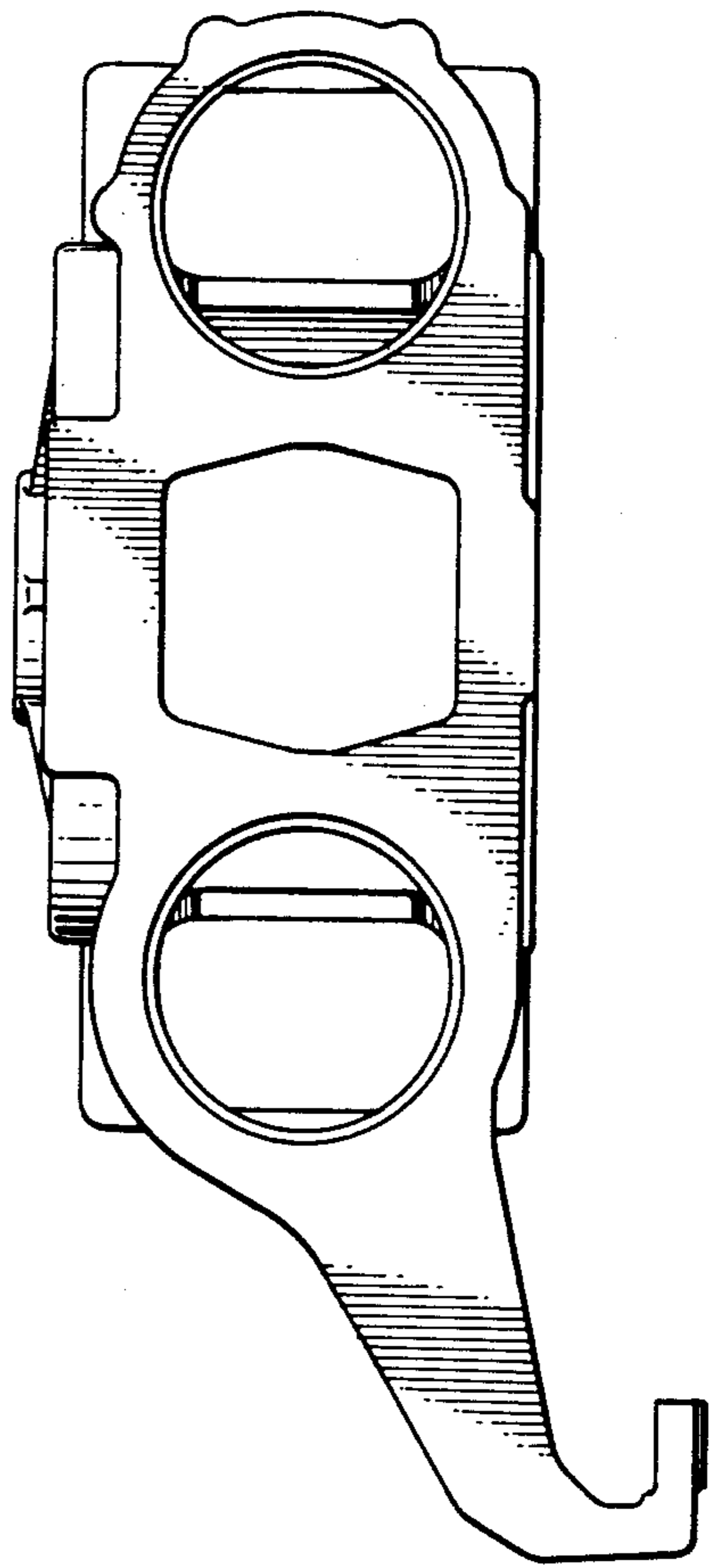


FIG. 5.

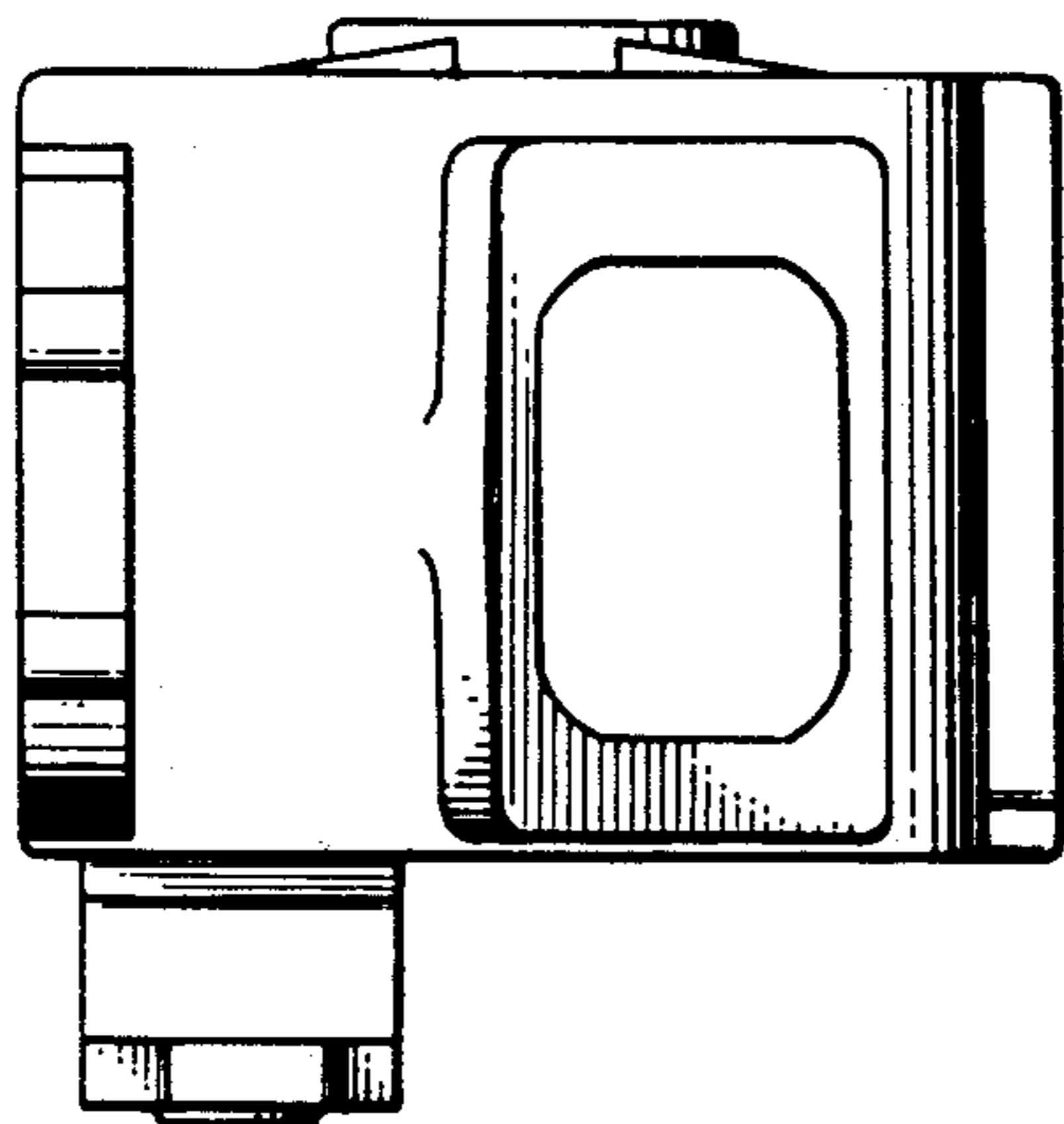


FIG. 7.

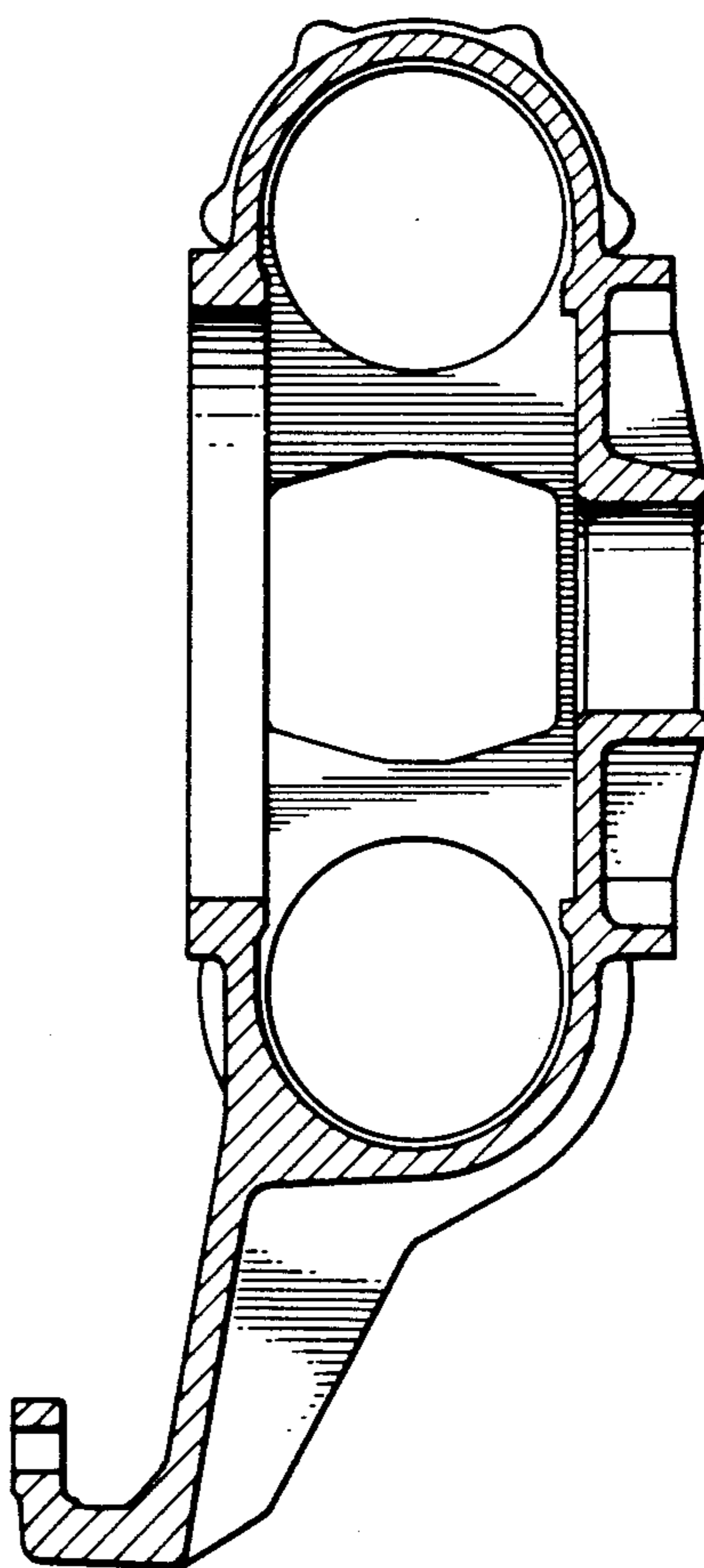


FIG. 6.

