

[54] AUTOMATIC DISKETTE LOADER

[75] Inventor: Amancio Alcala, Santa Ana, Calif.

[73] Assignee: Three Phoenix Company, Phoenix, Ariz.

[\*\*] Term: 14 Years

[21] Appl. No.: 804,723

[22] Filed: Jun. 8, 1977

[51] Int. Cl. .... D14-02

[52] U.S. Cl. .... D14/46

[58] Field of Search ..... D14/40, 46; 360/98, 360/99

[56] References Cited

U.S. PATENT DOCUMENTS

3,846,836 11/1974 Masse et al. .... 360/98

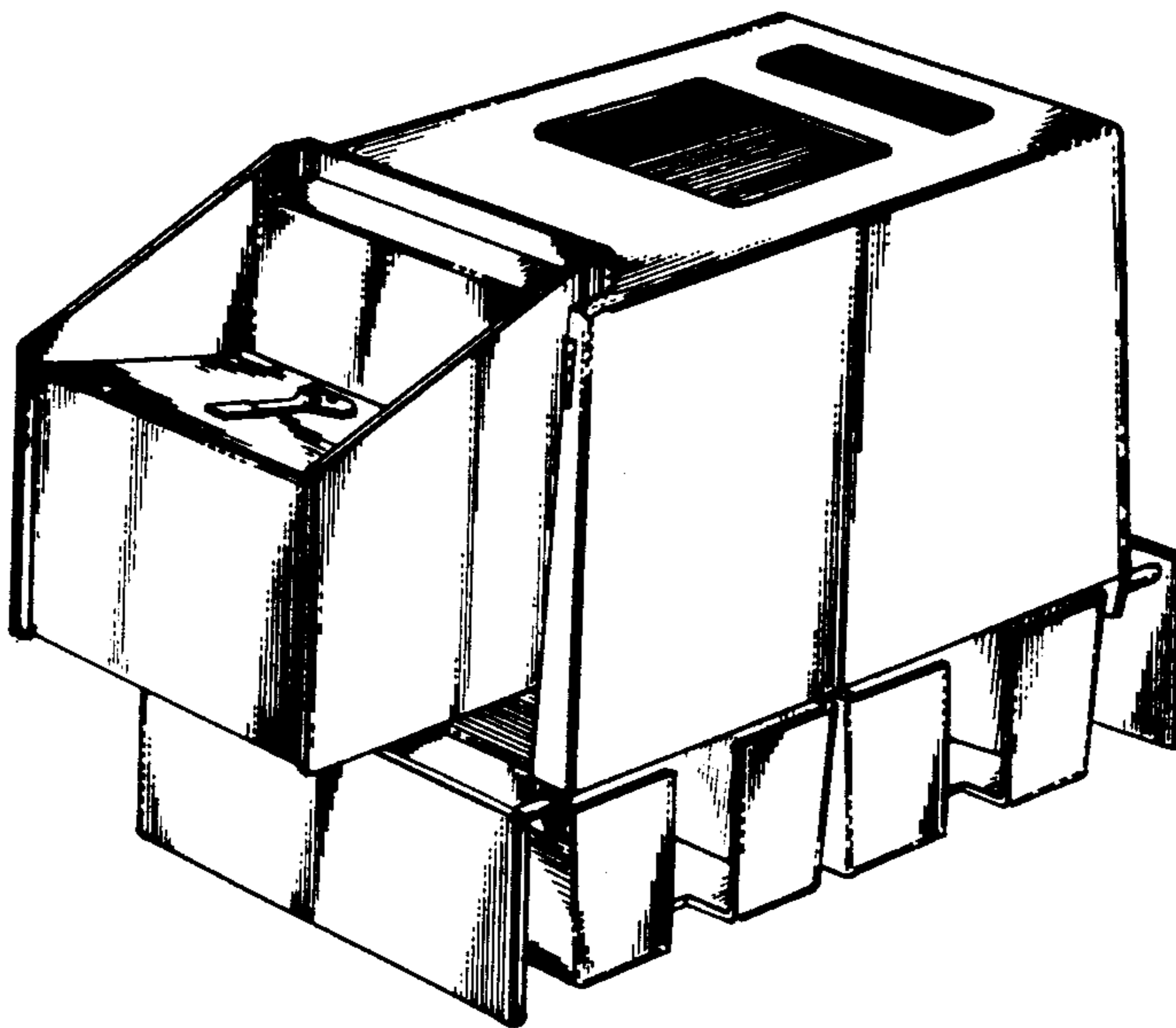
Primary Examiner—Susan J. Lucas  
Attorney, Agent, or Firm—Gary A. Clark

[57] CLAIM

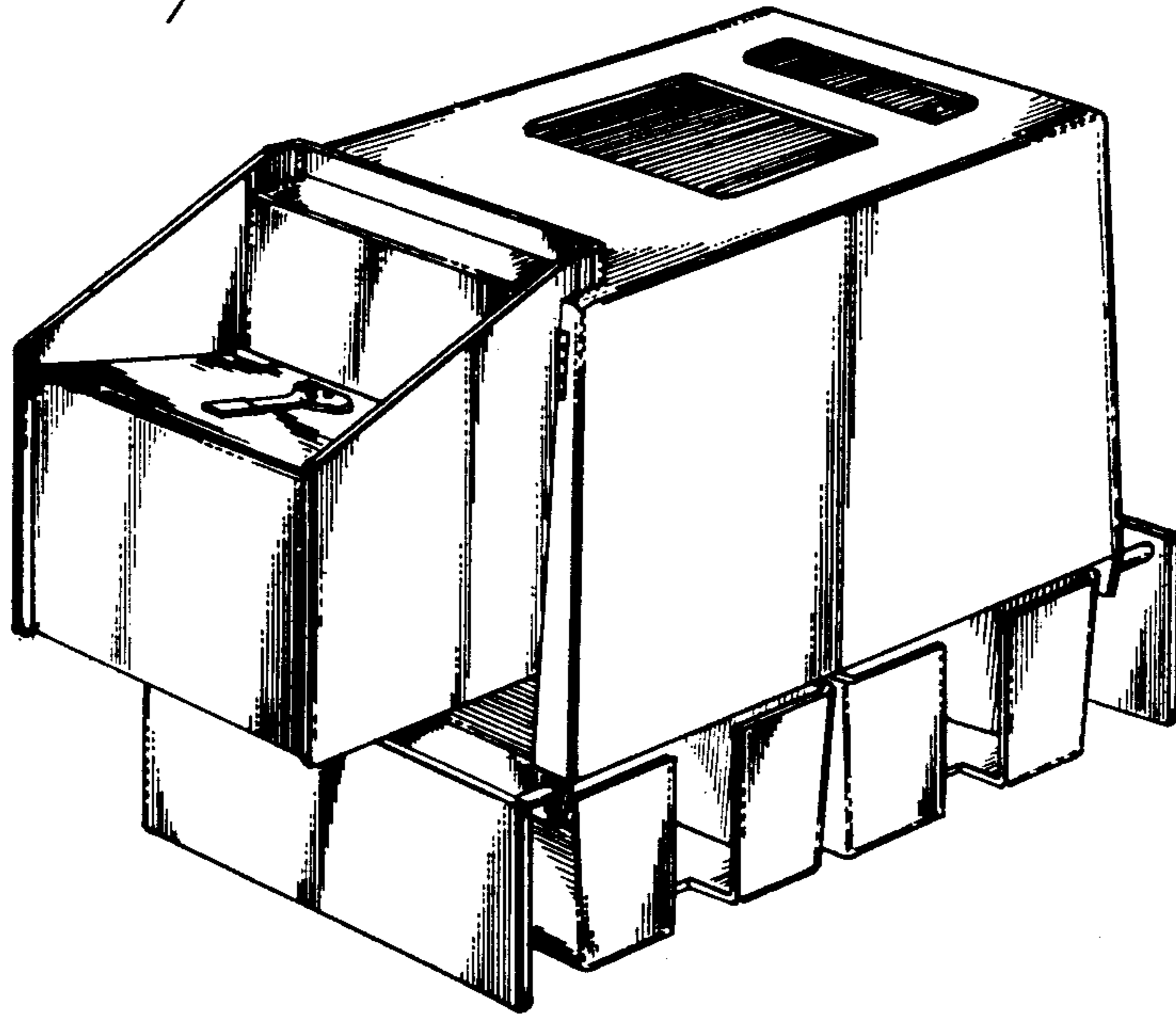
The ornamental design for an automatic diskette loader, substantially as shown and described.

DESCRIPTION

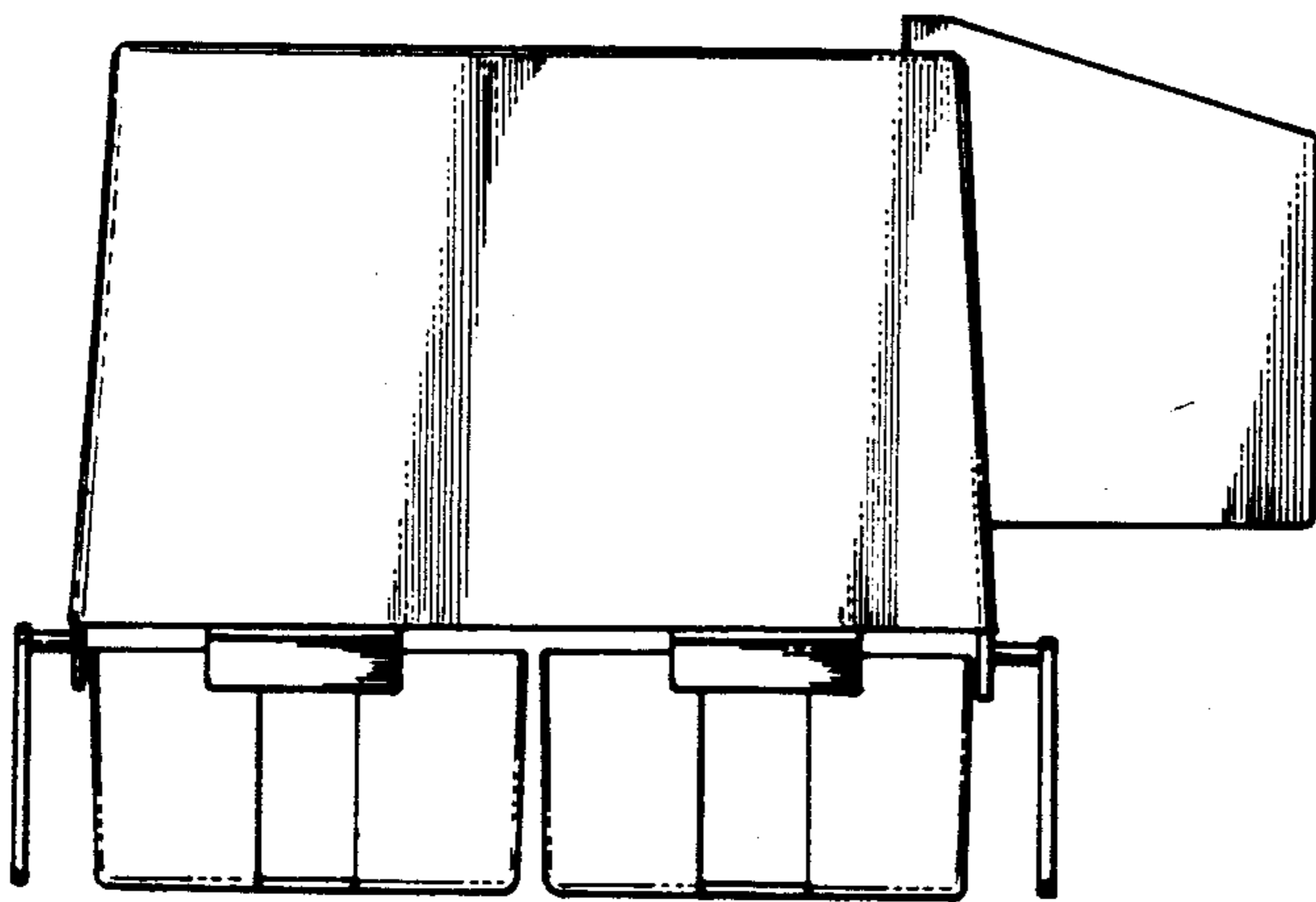
FIG. 1 is a perspective view of an automatic diskette loader embodying my new design;  
FIG. 2 is a side elevational view thereof showing the side opposite that shown in FIG. 1;  
FIG. 3 is a front elevational view thereof;  
FIG. 4 is a top plan view thereof;  
FIG. 5 is a bottom plan view thereof; and  
FIG. 6 is a rear elevational view thereof.



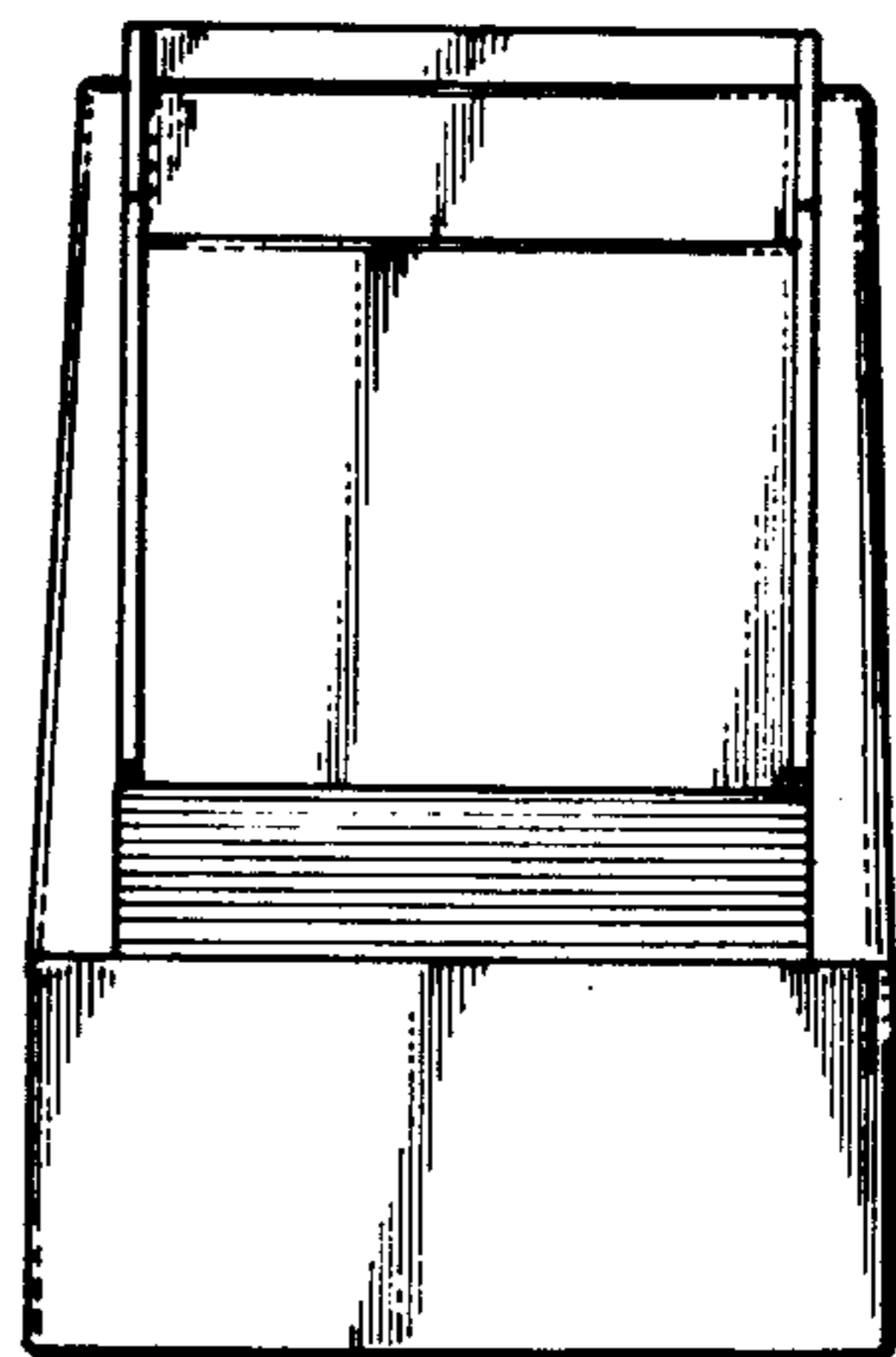
*Fig. 1*

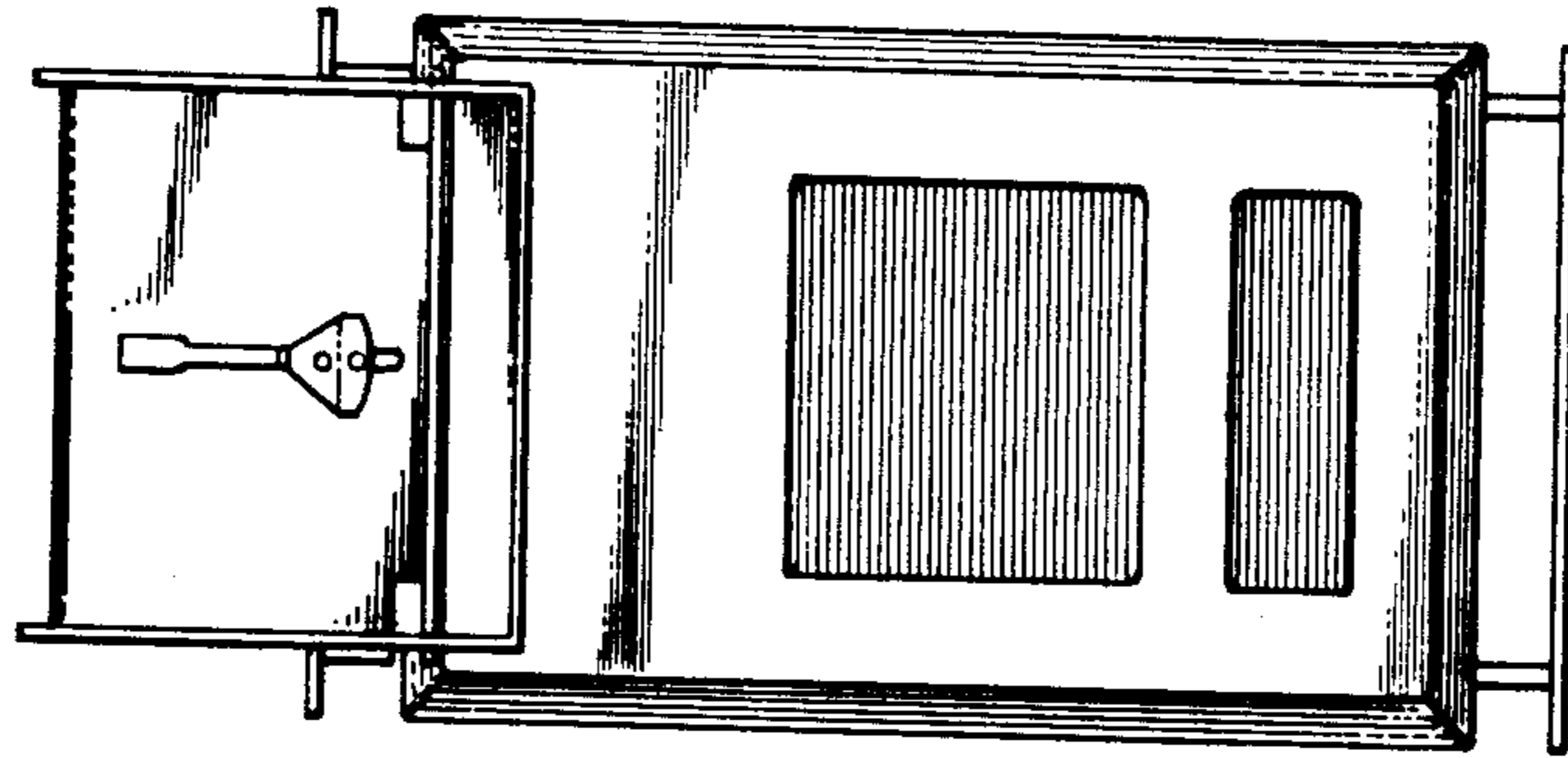


*Fig. 2*

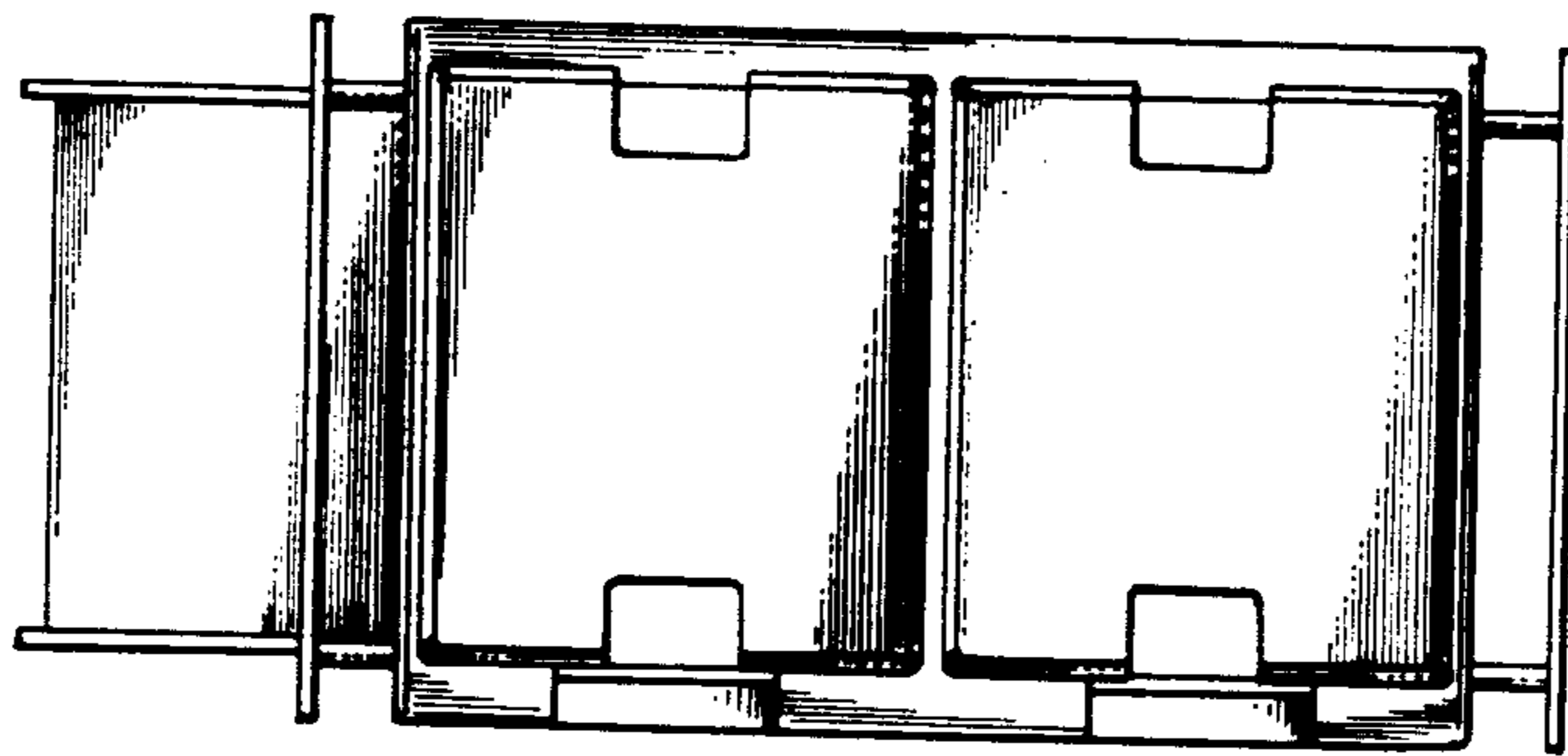


*Fig. 3*

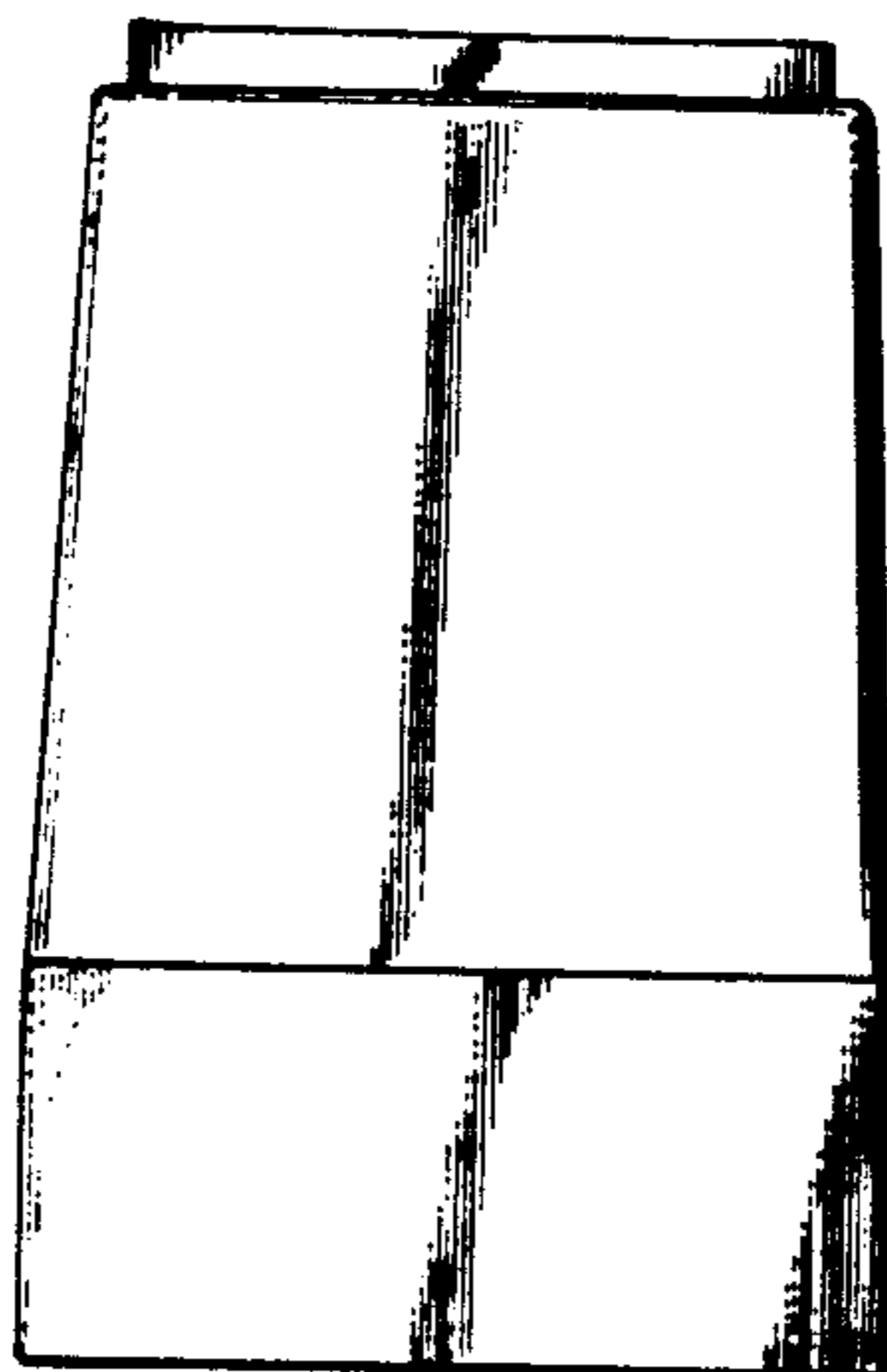




*Fig. 4*



*Fig. 5*



*Fig. 6*