

[54] REMOTE CONTROL UNIT FOR RADIO OR SIMILAR ARTICLE

[75] Inventors: Stephen A. Nichols, Lincoln, Nebr.; David P. Chuboff, North Barrington, Ill.

[73] Assignee: Hy-Gain de Puerto Rico, Inc.

[\*\*] Term: 14 Years

[21] Appl. No.: 822,782

[22] Filed: Aug. 8, 1977

[51] Int. Cl. .... D13-03

[52] U.S. Cl. .... D13/12; D13/32

[58] Field of Search ..... D13/12, 32, 35, 37, D13/38, 40, 41; D64/11 B; D14/40, 42, 45; 200/5 R, 5 A, 6 R, 11 R, 38 D, 56 R, 157 R, 159 R, 293, 294, 296, 298, 302, 303, 308, 310, 315

[56] References Cited

U.S. PATENT DOCUMENTS

D. 230,859 3/1974 Kurosu ..... D64/11 B  
3,959,610 5/1976 Finnegan ..... 200/340 X

OTHER PUBLICATIONS

Design, 12-1956, p. 59, T-V Remote Control.

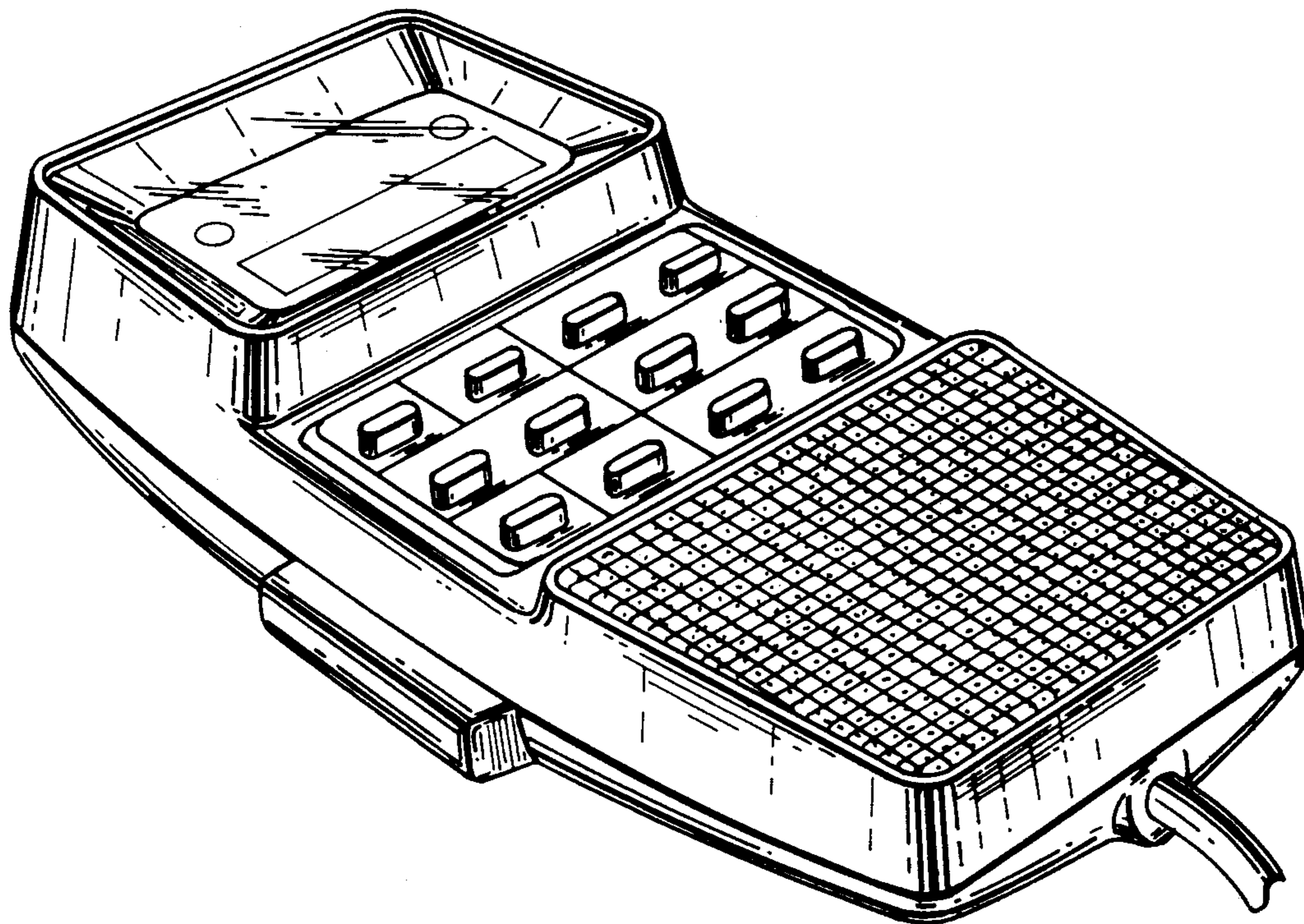
Primary Examiner—Susan J. Lucas  
Attorney, Agent, or Firm—Vincent L. Carney

[57] CLAIM

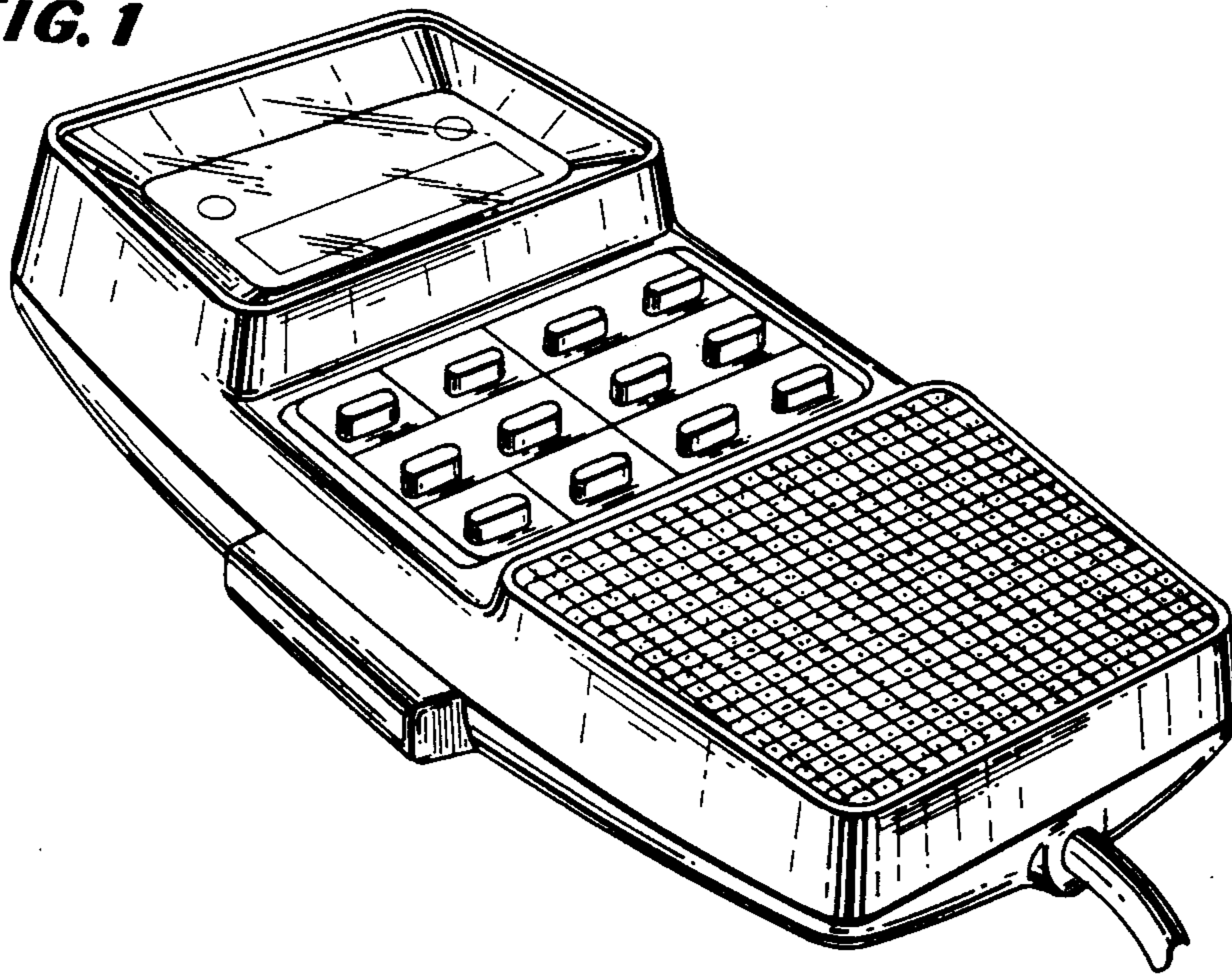
The ornamental design for the remote control unit for radio or similar article, substantially as shown and described.

DESCRIPTION

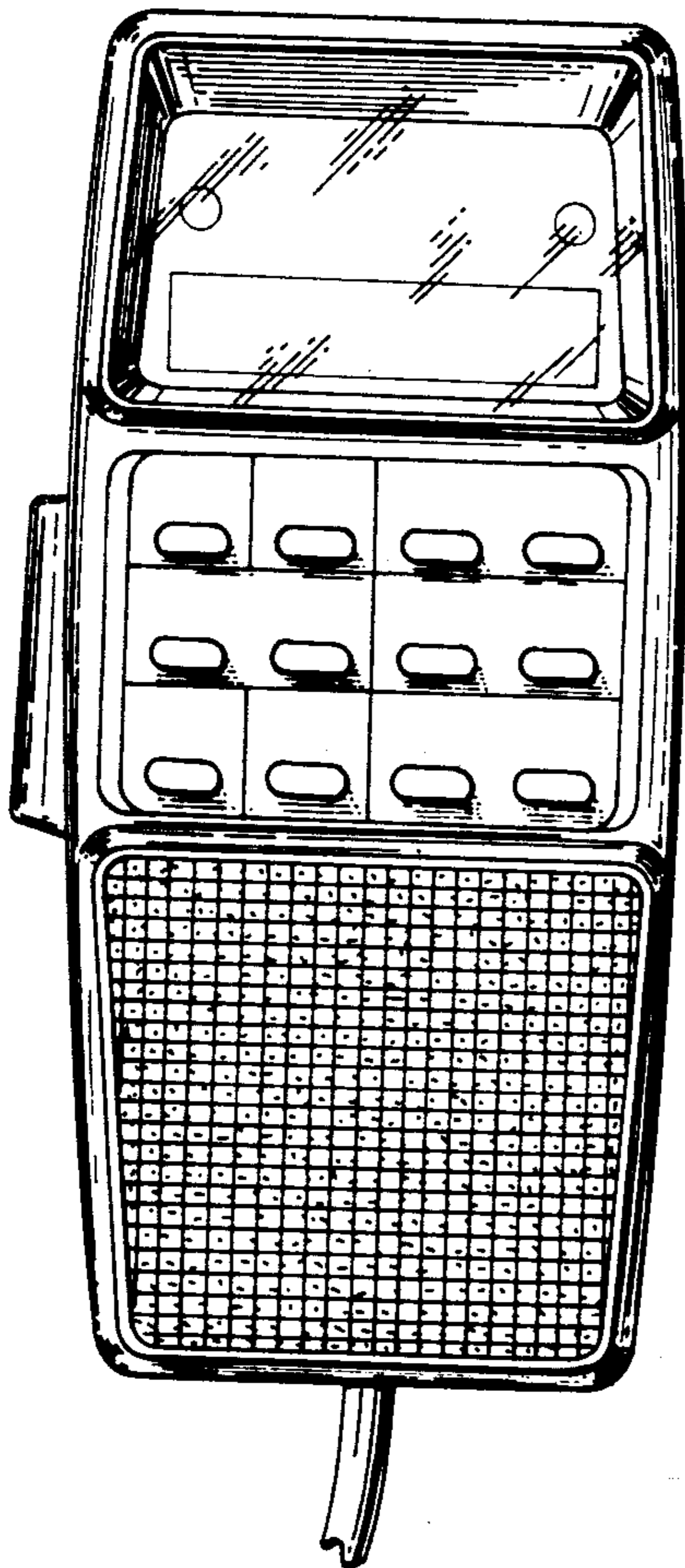
FIG. 1 is a perspective view of a remote control unit for radio or similar article showing our new design; FIG. 2 is a front elevational view of the embodiment of FIG. 1; FIG. 3 is a rear elevational view of the embodiment of FIG. 1; FIG. 4 is a side elevational view of the embodiment of FIG. 1; FIG. 5 is a top view of the embodiment of FIG. 1; FIG. 6 is a bottom view of the embodiment of FIG. 1; FIG. 7 is a perspective view of a second embodiment of our design for a remote control unit for radio or similar article.



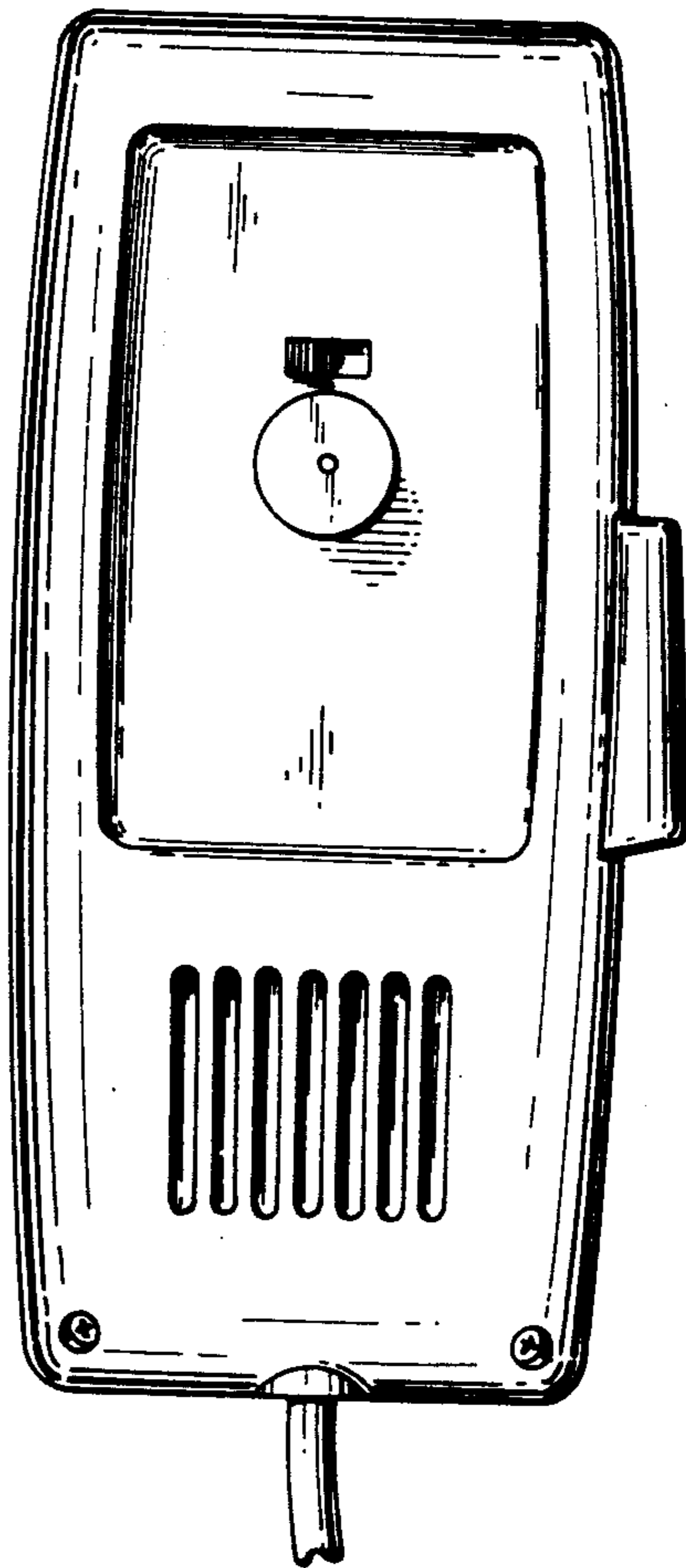
**FIG. 1**



**FIG. 2**

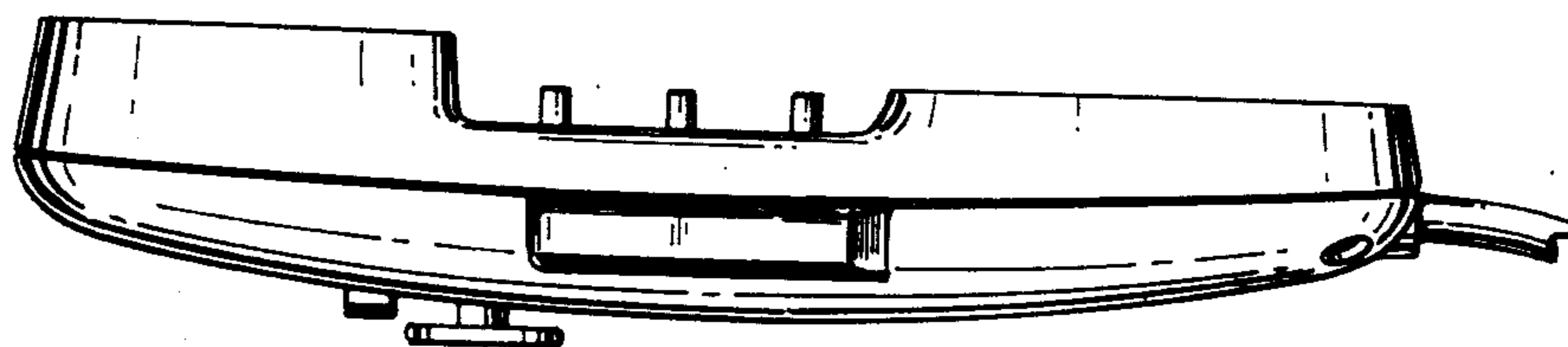


**FIG. 3**

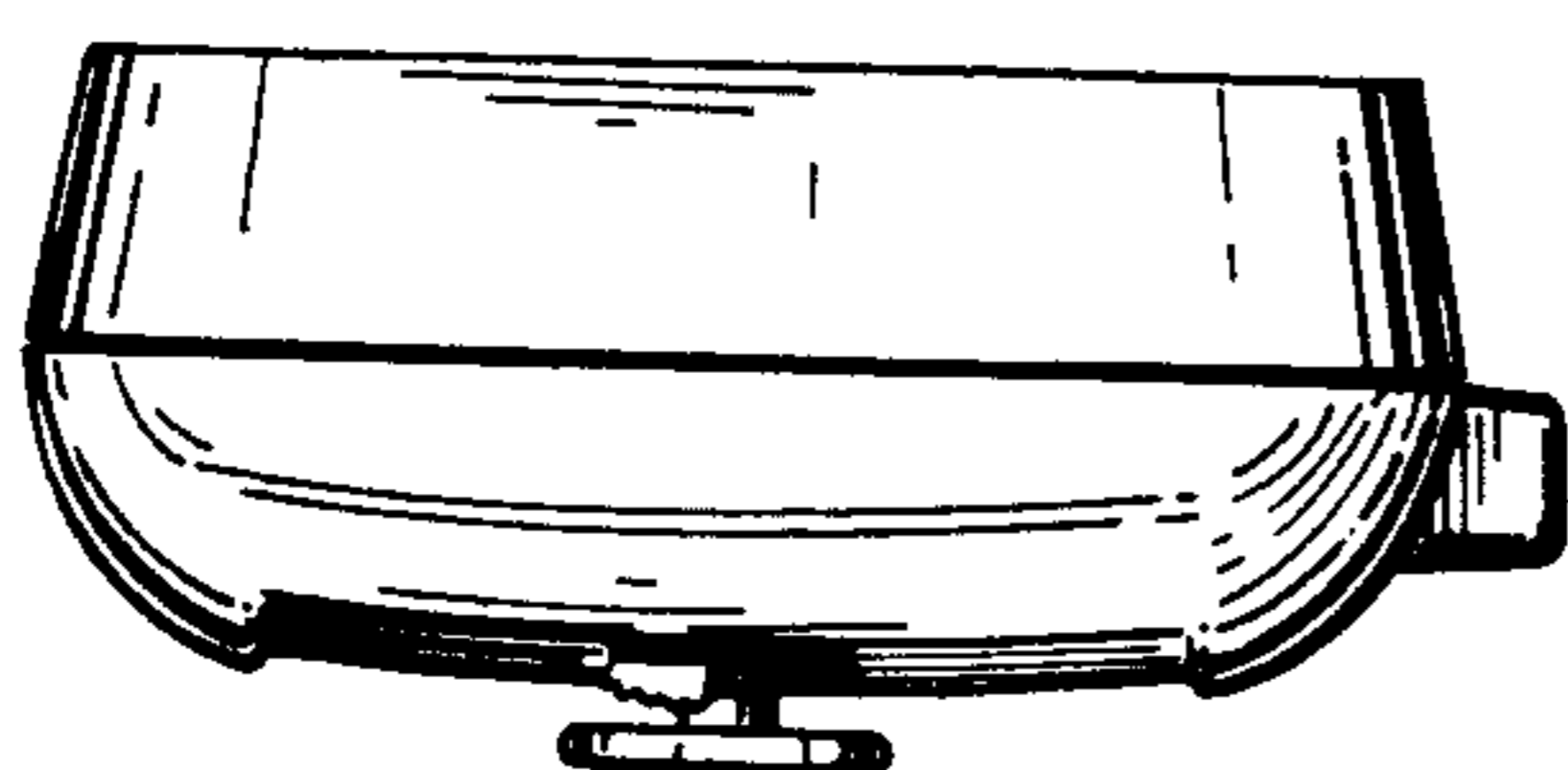




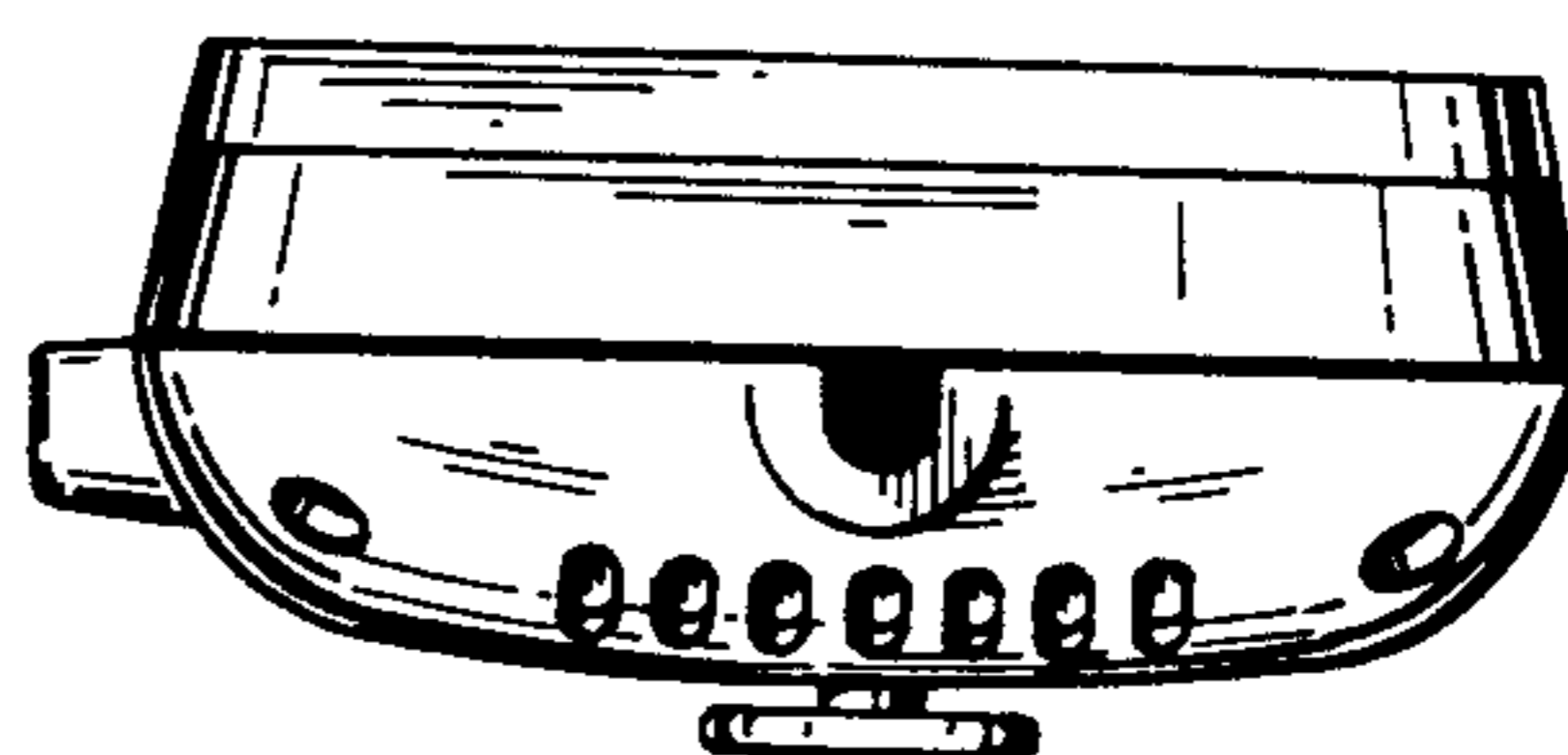
**FIG. 4**



**FIG. 5**



**FIG. 6**



**FIG. 7**

