

[54] MOBILE BROILER

[76] Inventor: James Simmons, P.O. Box 312, 5044 St. Joseph Ave., Stevensville, Mich. 49127

[**] Term: 14 Years

[21] Appl. No.: 787,581

[22] Filed: Apr. 14, 1977

[51] Int. Cl. D7-02; D12-13

[52] U.S. Cl. D12/22; D12/34; D7/108

[58] Field of Search D7/107, 108; D12/1, D12/21, 22, 32, 33, 34; 126/25 R, 25 A, 268, 276; 99/419, 421, 422, 425, 339, 340, 357; 312/236

[56] References Cited

U.S. PATENT DOCUMENTS

D. 240,494 7/1976 Beasley D7/108
3,025,782 3/1962 Stall 99/339

3,683,791 8/1972 Rast, Jr. 99/340
3,696,803 10/1972 Holloway, Jr. 126/276
3,861,288 1/1975 Cluff, Sr. et al. 99/339 X

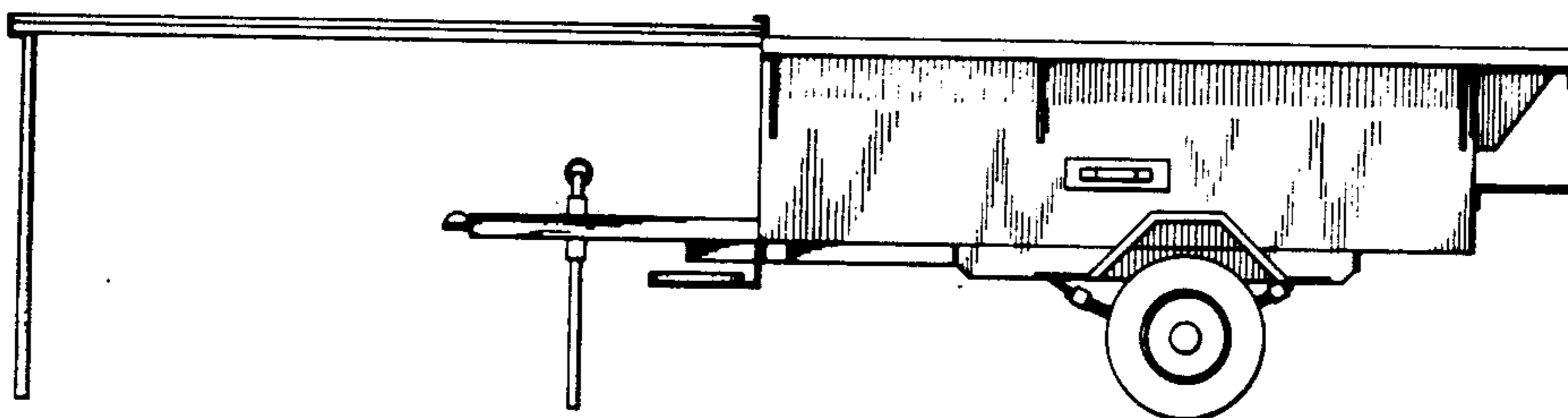
Primary Examiner—Bernard Ansher
Assistant Examiner—Catherine Kemper
Attorney, Agent, or Firm—Raywood H. Blanchard

[57] CLAIM

The ornamental design for a mobile broiler, as shown and described.

DESCRIPTION

FIG. 1 is a top view of a mobile broiler with the movable table unit in the extended position and embodying my new design;
FIG. 2 is a bottom view thereof;
FIG. 3 is a right side view thereof;
FIG. 4 is a left side view thereof;
FIG. 5 is a front view;
FIG. 6 is a rear view thereof; and
FIG. 7 is a top view of the mobile broiler but with the table unit in the retracted position.



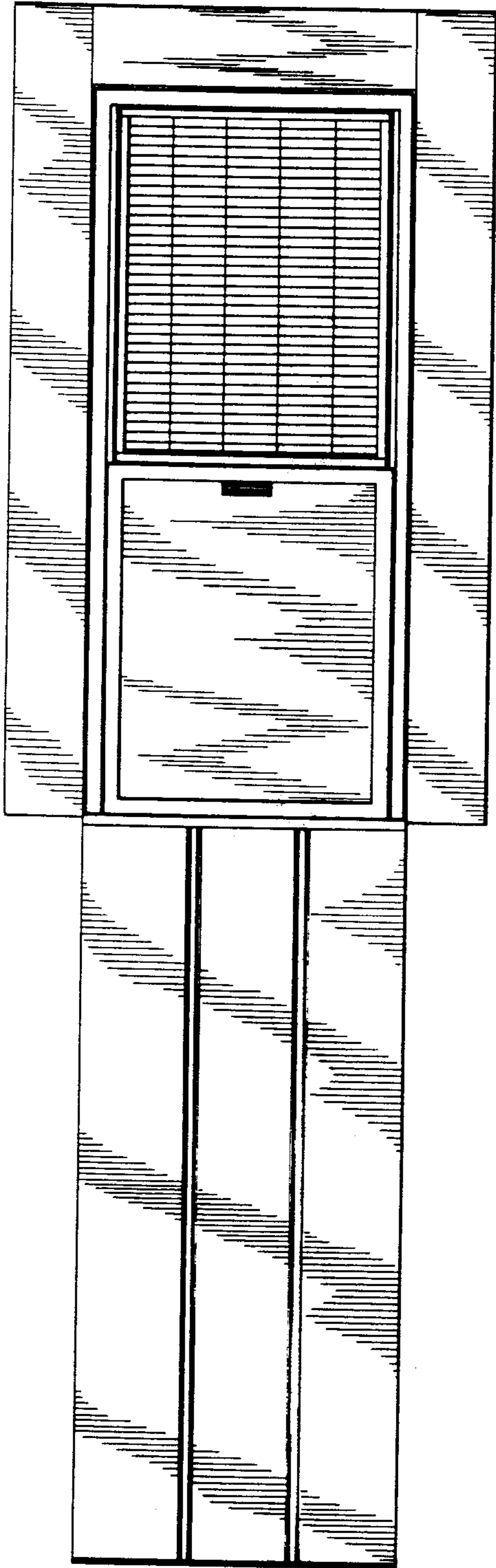


FIG. 1

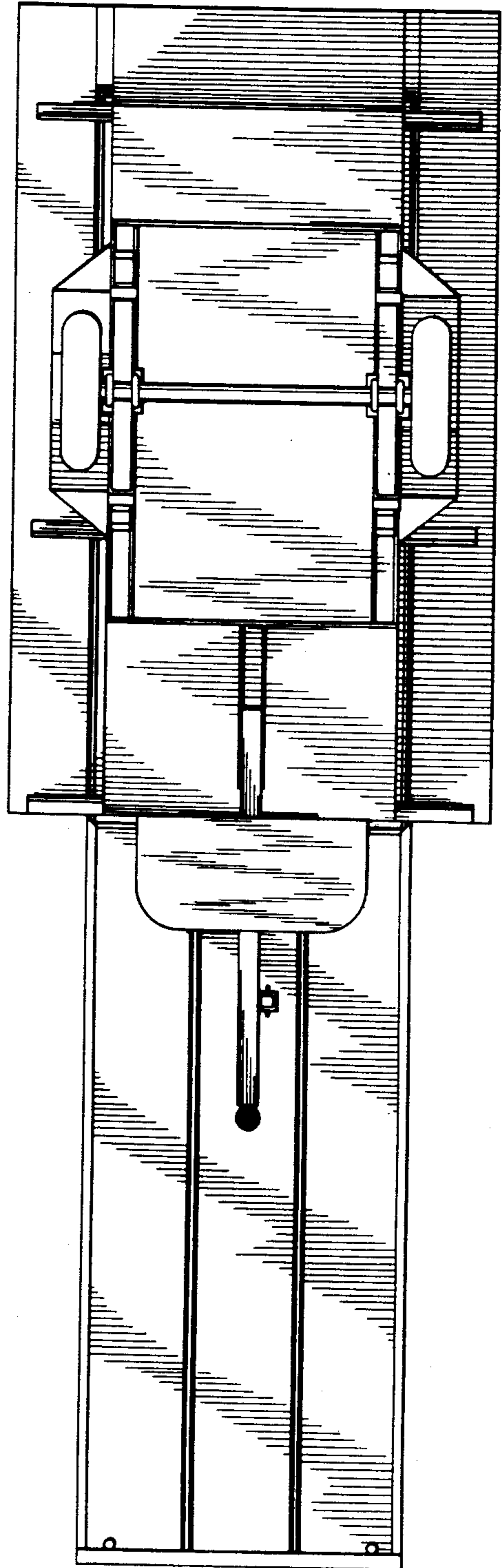


FIG. 2

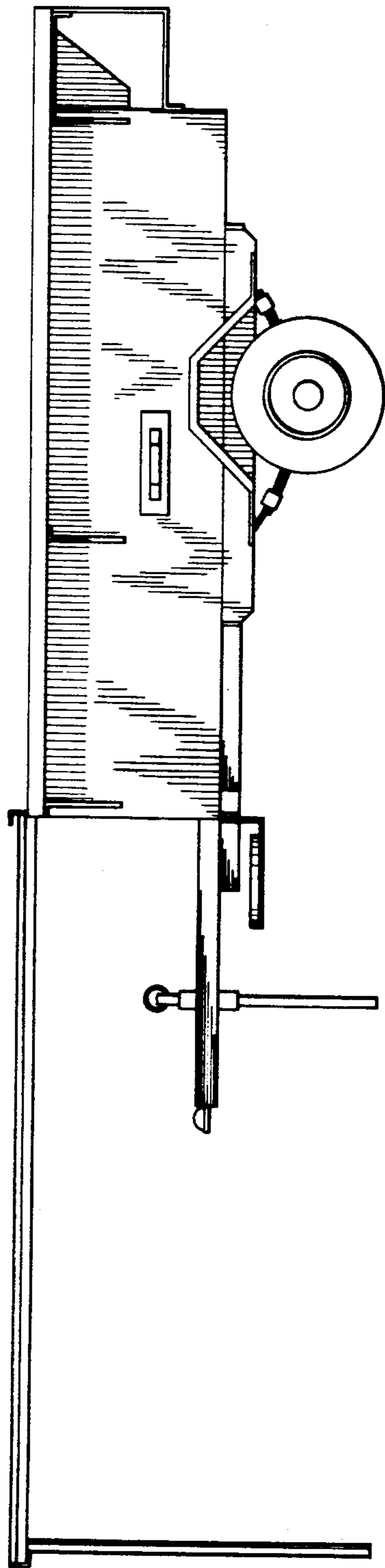


FIG. 3

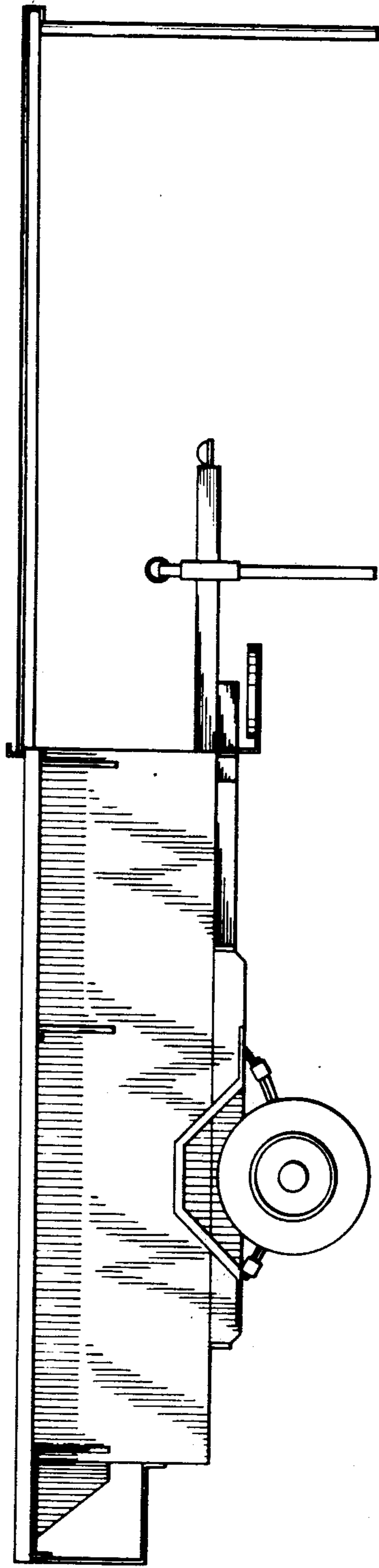


FIG. 4

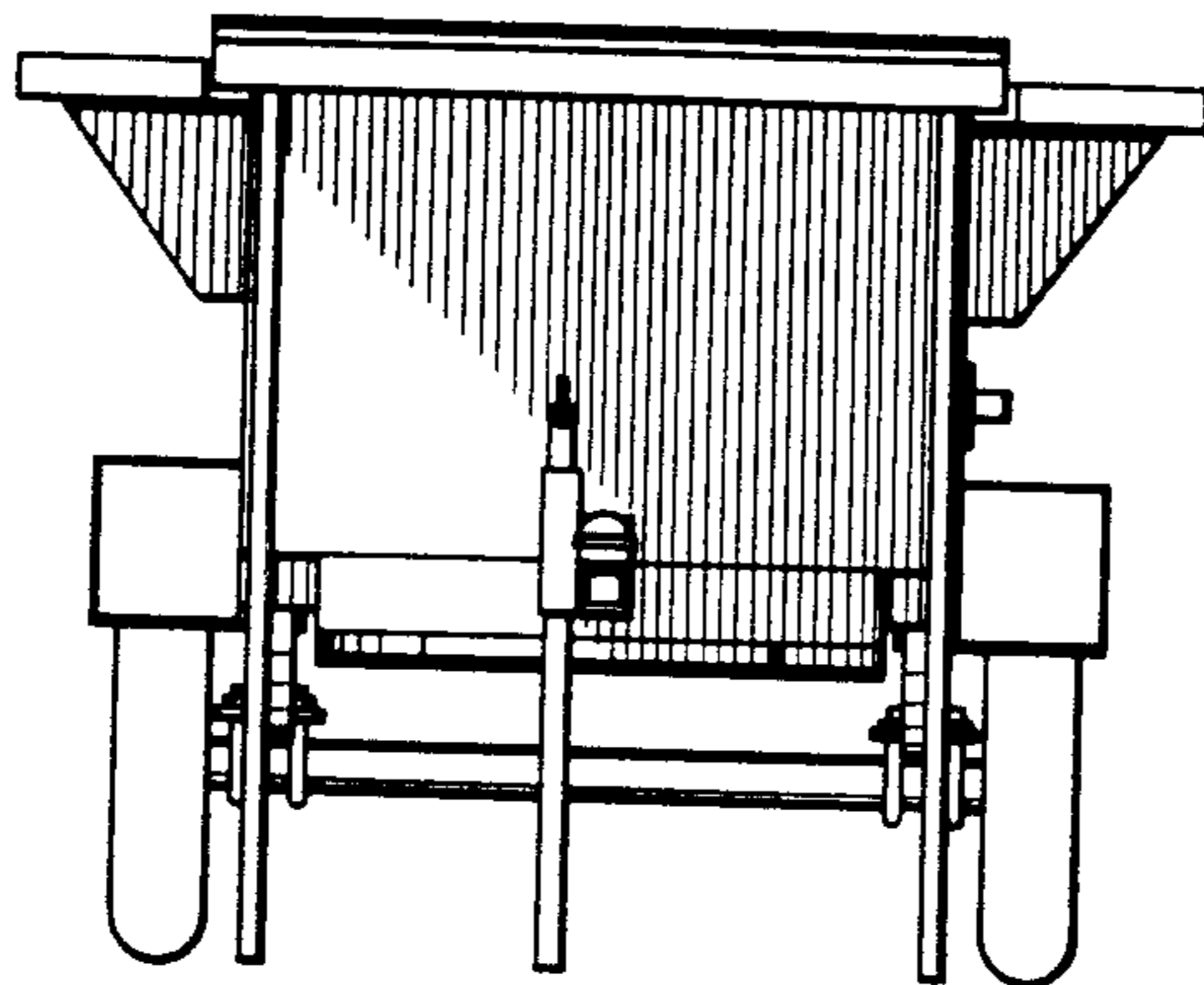


FIG. 5

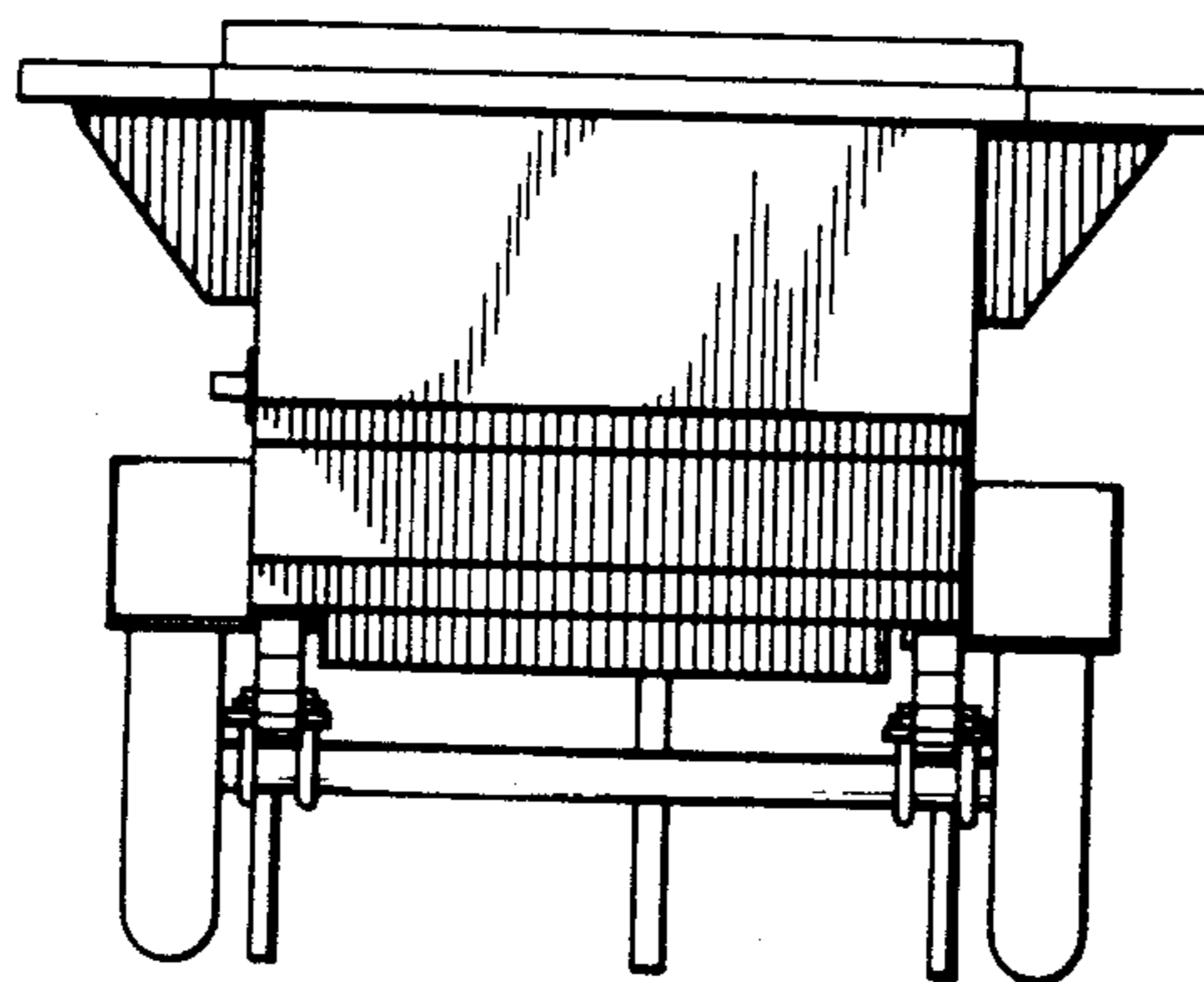


FIG. 6

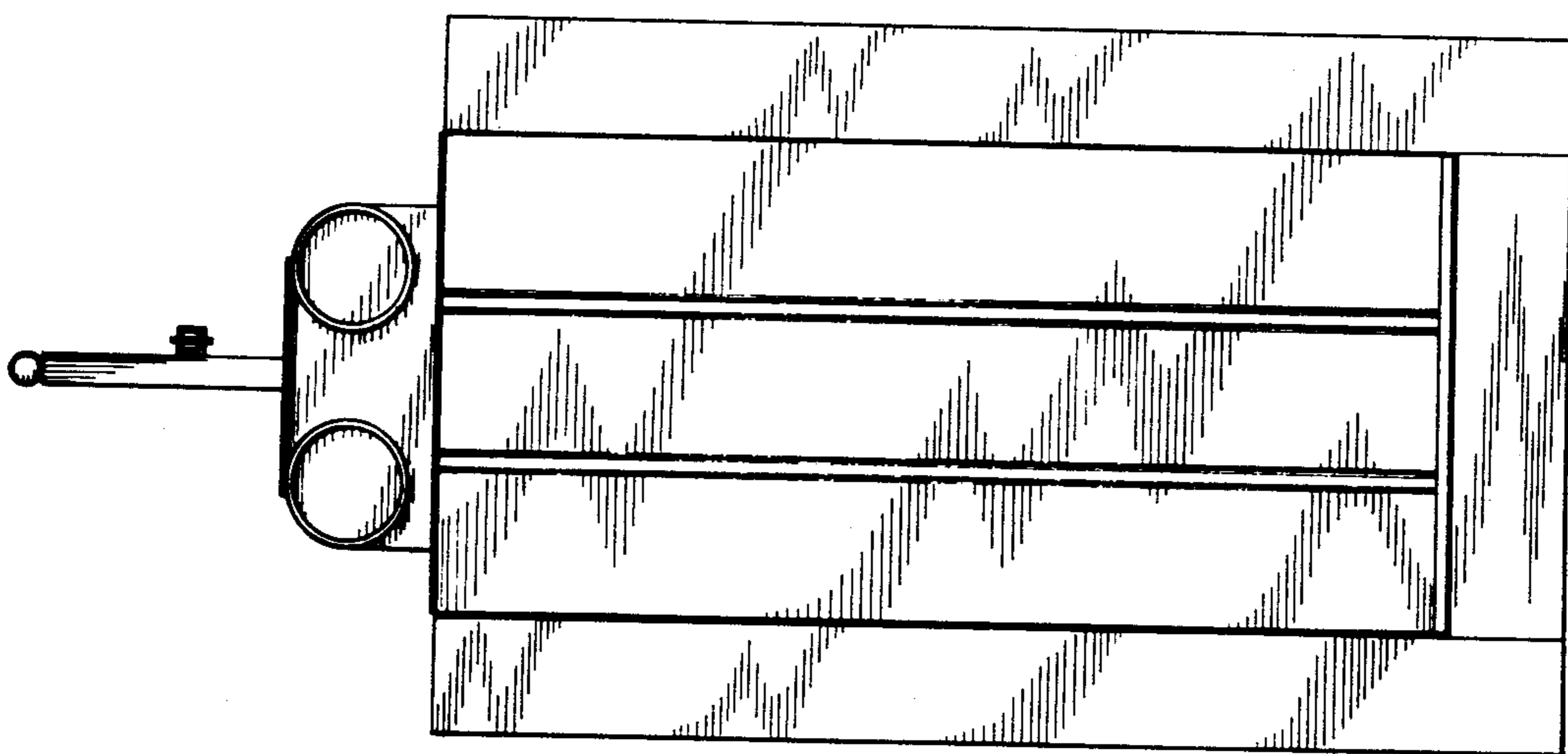


FIG. 7