

[54] CONTROL KNOB

[75] Inventors: Darrel Wooldridge, Los Angeles; Eugene T. McKinnon, Pacific Palisades, both of Calif.

[73] Assignee: Gem Products, Inc.

[**] Term: 14 Years

[21] Appl. No.: 845,158

[22] Filed: Oct. 25, 1977

[51] Int. Cl. D8-06

[52] U.S. Cl. D8/312

[58] Field of Search D8/300-302, D8/305-307, 310-322, 350-353, 367; 16/110 R, 121, 124-127; 40/331; 292/347, 357

[56] References Cited

PUBLICATIONS

Dimco Plastics Cat. 64, p. 9, knob 248.

Primary Examiner—Wallace R. Burke

Assistant Examiner—B. J. Bullock

Attorney, Agent, or Firm—Thomas P. Mahoney

[57] CLAIM

The ornamental design for a control knob, as shown and described.

DESCRIPTION

FIG. 1 is a front perspective view of a control knob showing our new design;

FIG. 2 is a rear perspective view thereof;

FIG. 3 is a front view thereof;

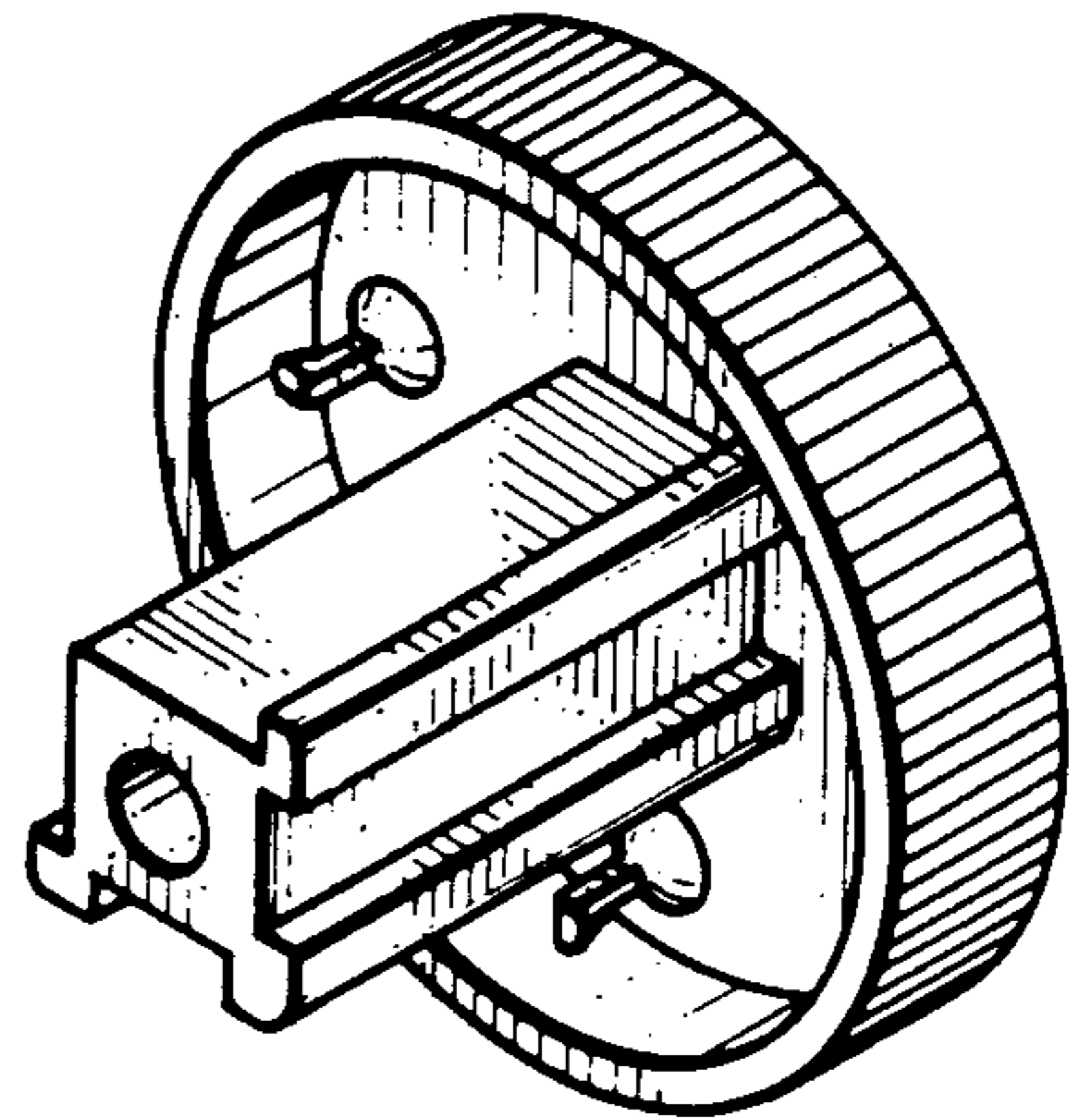
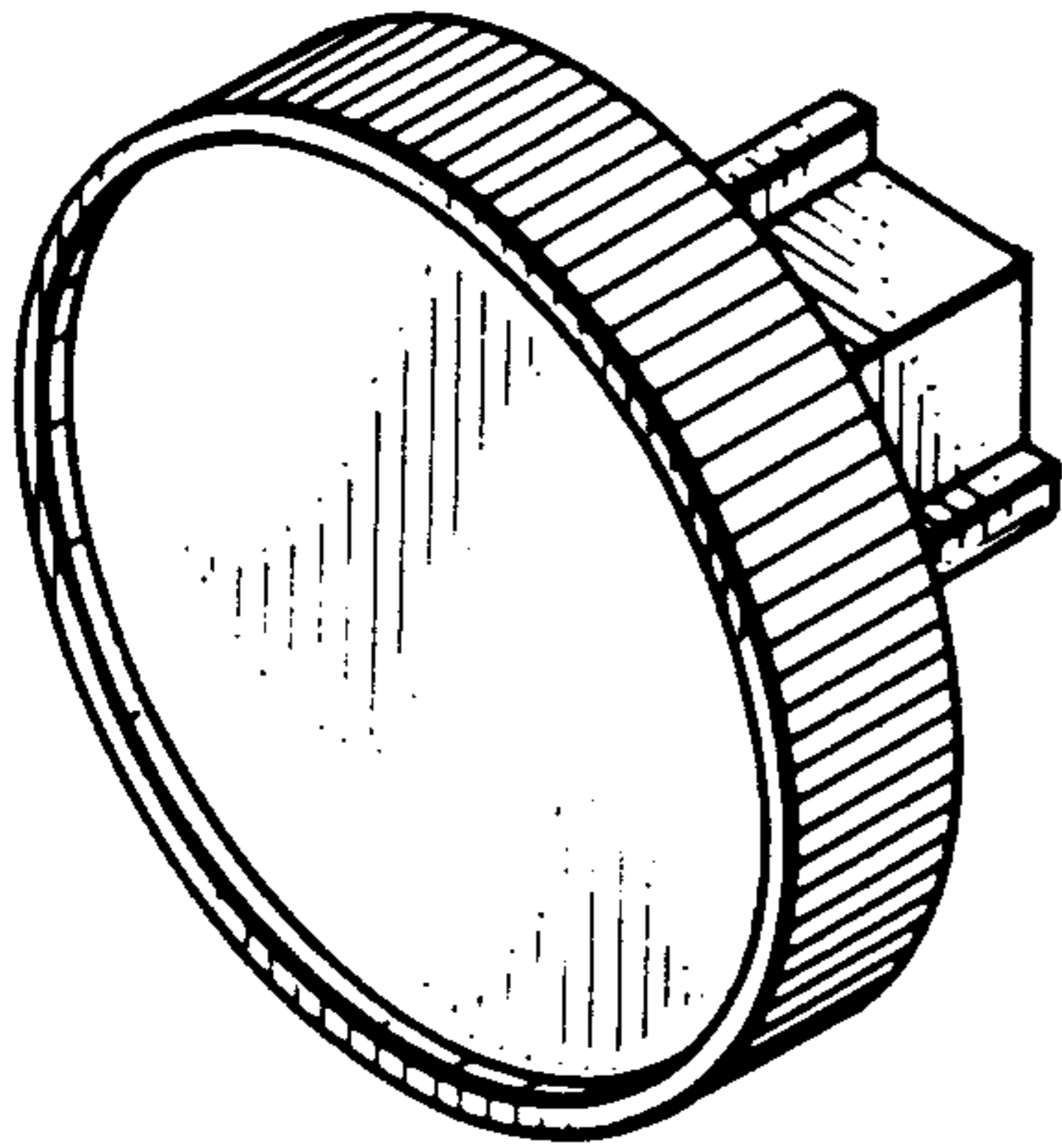
FIG. 4 is a rear view thereof;

FIG. 5 is a side view taken from the left of FIG. 4;

FIG. 6 is a side view taken from the right of FIG. 4;

FIG. 7 is a top view thereof; and

FIG. 8 is a bottom view thereof.



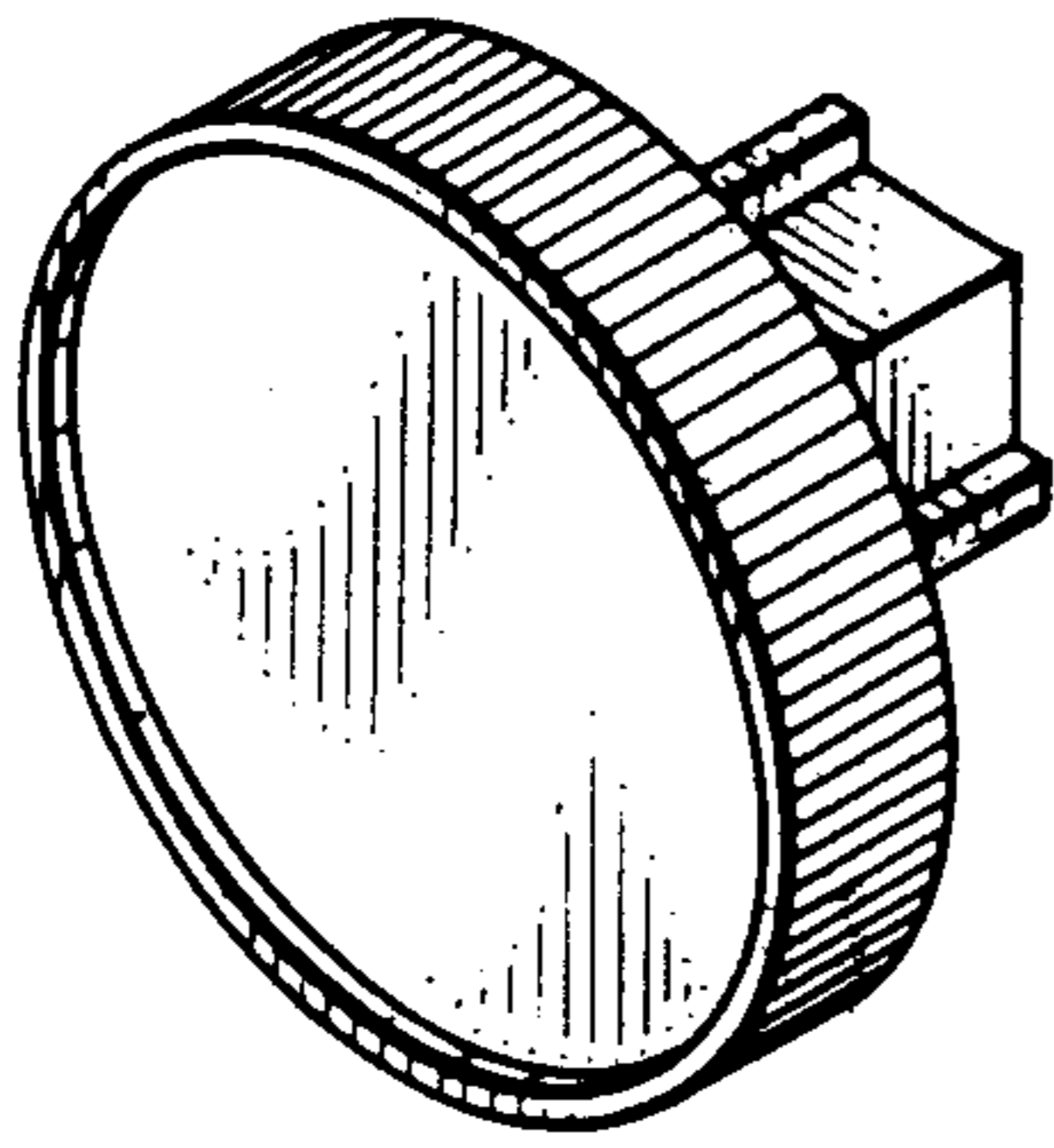


Fig. 1.

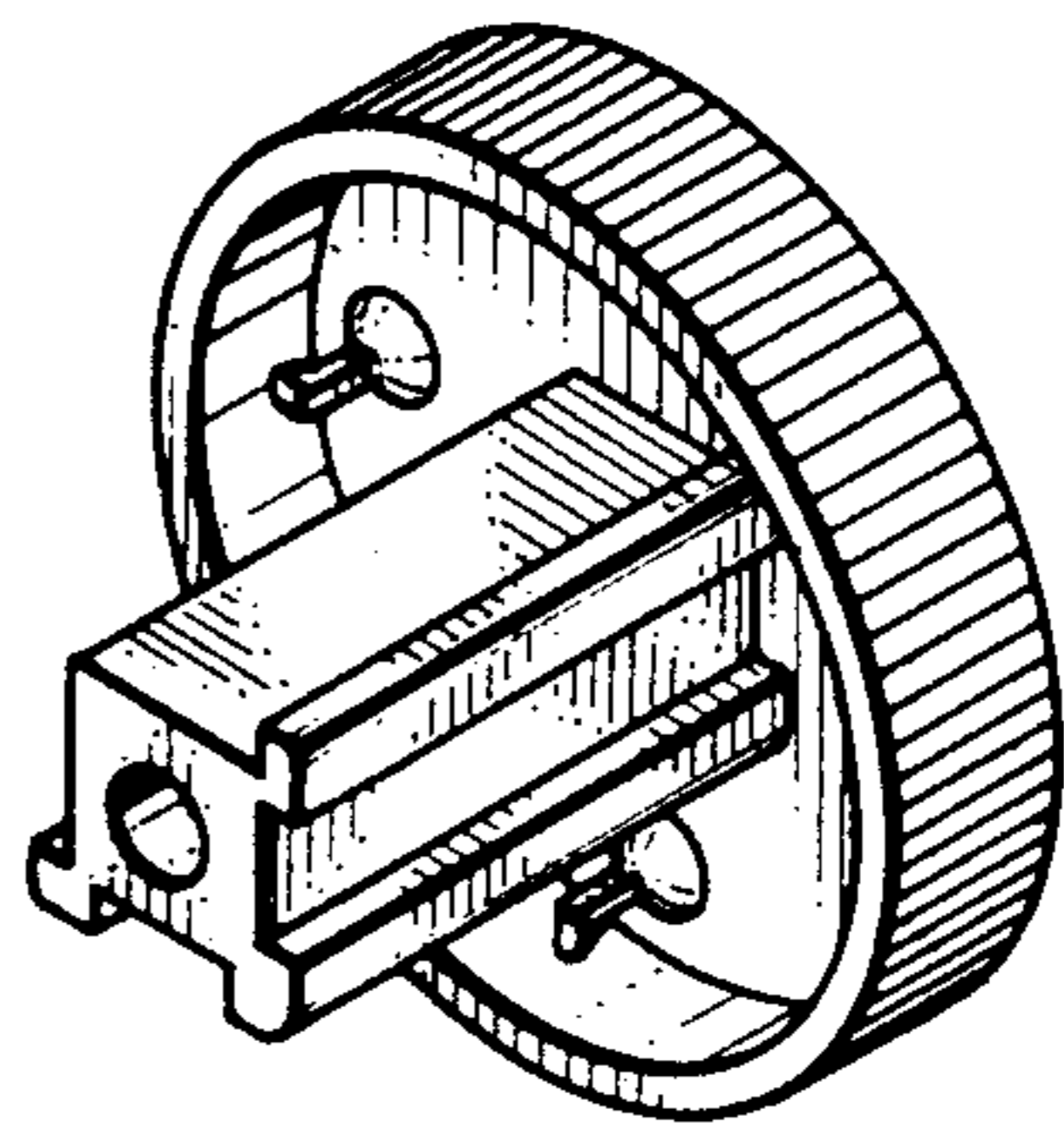


Fig. 2.

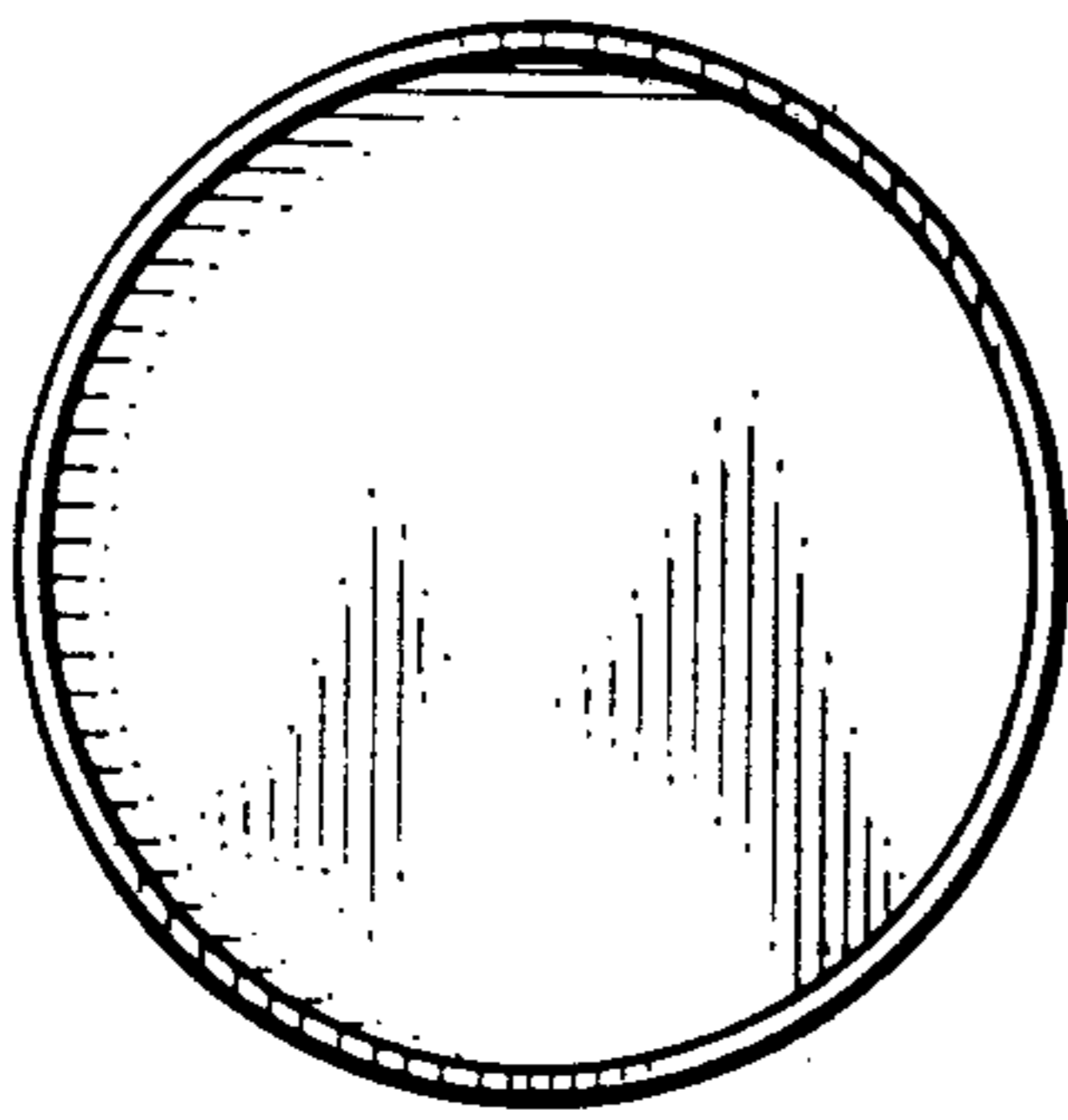


Fig. 3.

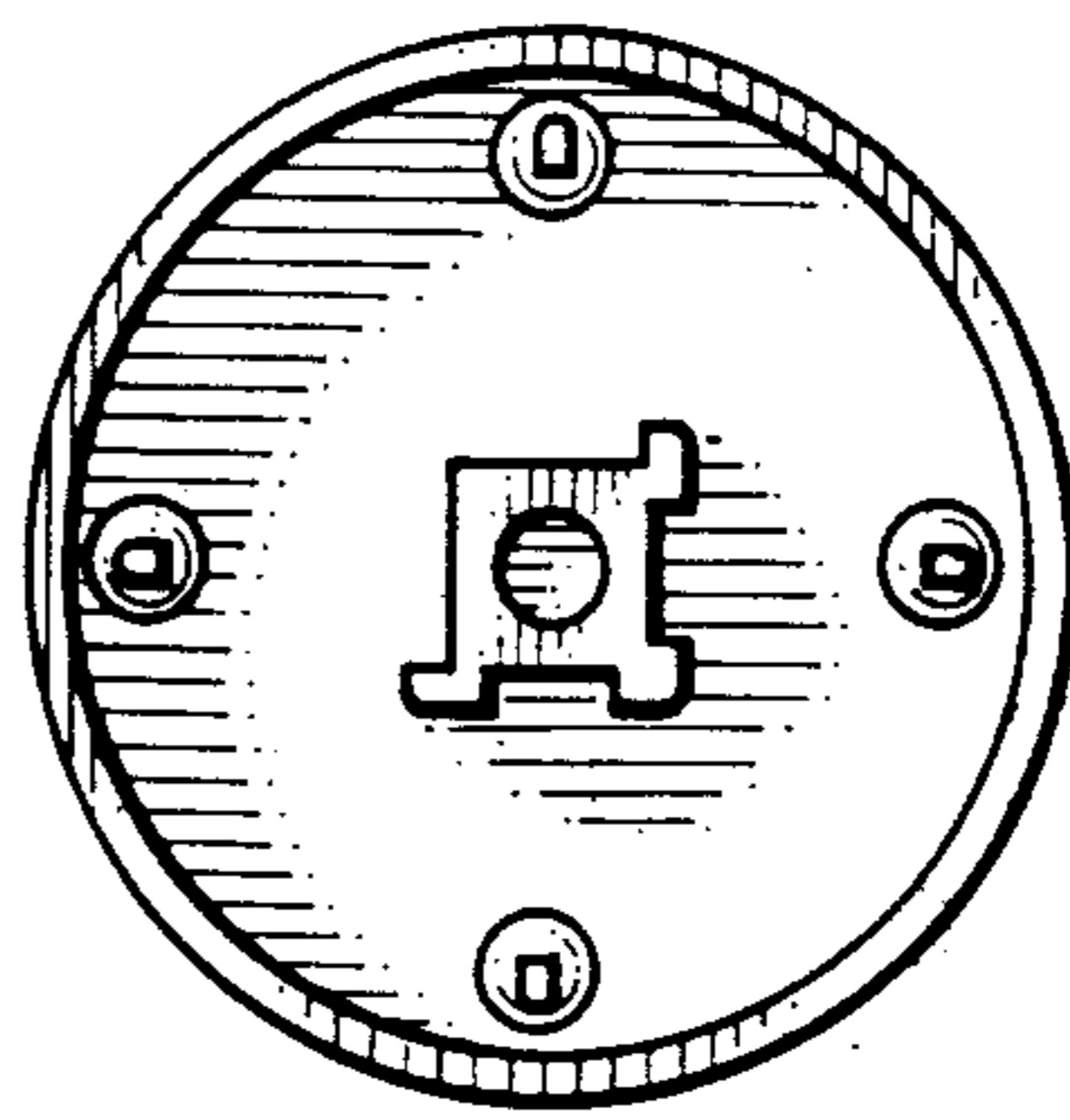


Fig. 4.

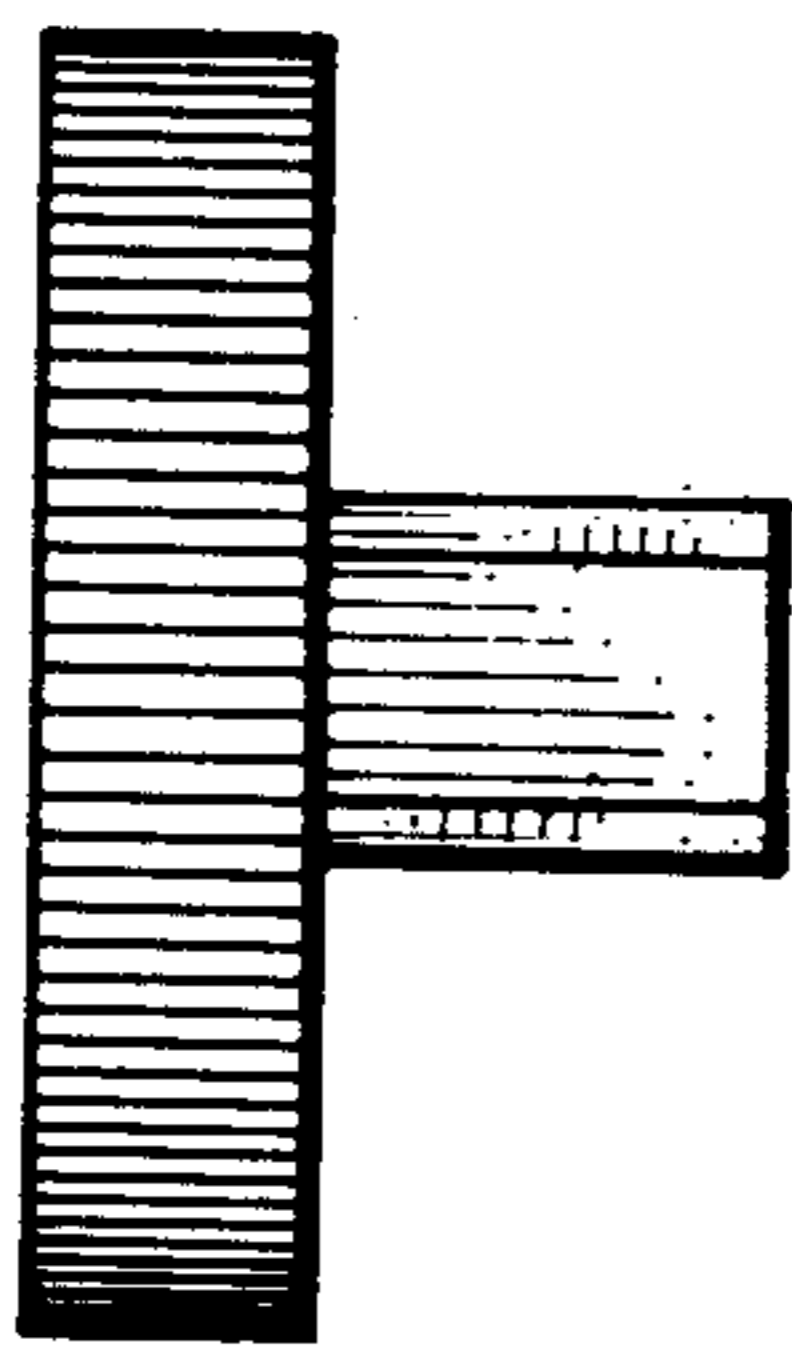


Fig. 5.

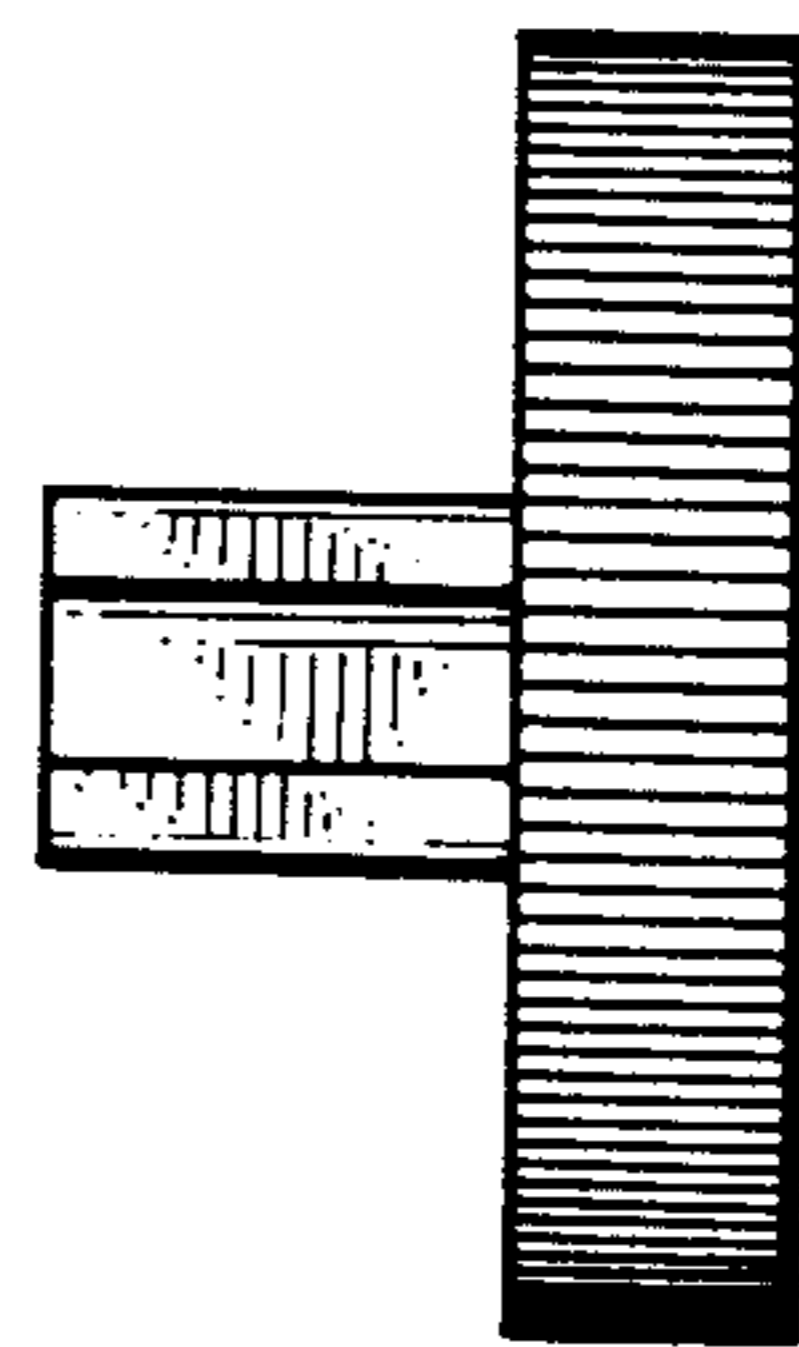


Fig. 6.

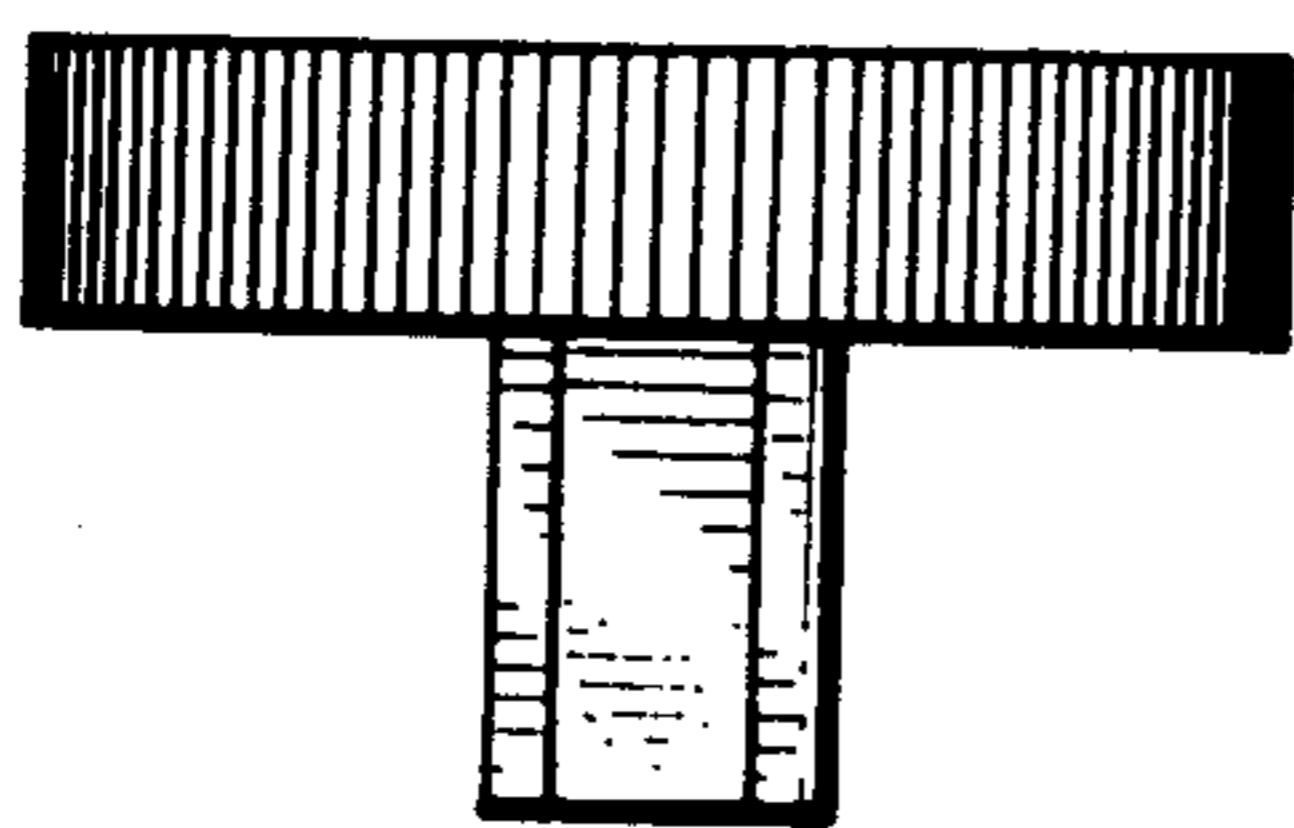


Fig. 7.

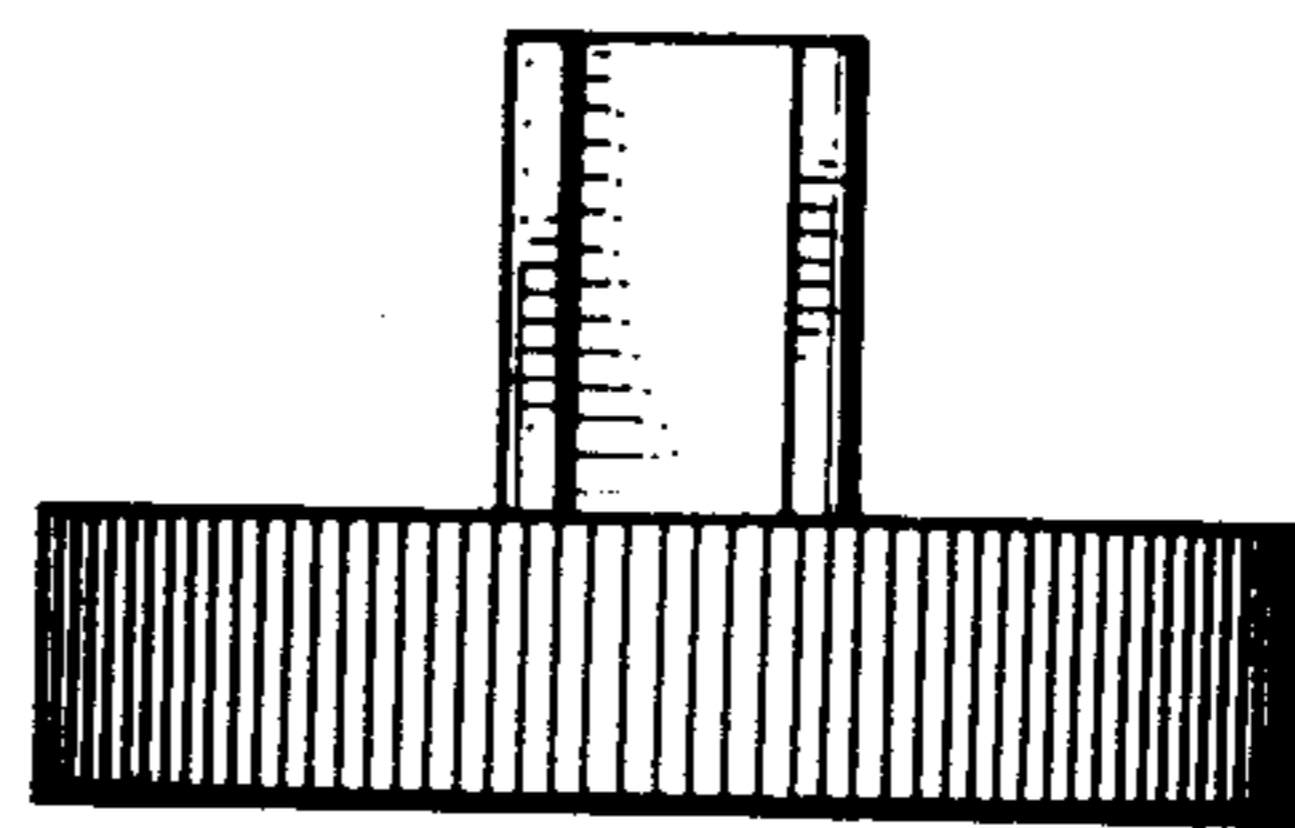


Fig. 8.