

[54] SOLAR STOVE

[76] Inventors: **Merton L. Clevett; Mildred L. Clevett**, both of 4685 S. Ogden St., Englewood, Colo. 80110

[\*\*] Term: **14 Years**

[21] Appl. No.: **813,124**

[22] Filed: **Jul. 5, 1977**

[51] Int. Cl. .... **D7-02**  
[52] U.S. Cl. .... **D7/109**  
[58] Field of Search ..... **D7/107, 108, 109, 110; 126/270, 271**

[56]

**References Cited**

**U.S. PATENT DOCUMENTS**

2,859,745	11/1958	Von Brudersdorff .....	126/270
3,643,648	2/1972	Tarcici .....	126/270
4,083,357	4/1978	Fischer .....	126/270

*Primary Examiner*—Bernard Ansher  
*Assistant Examiner*—Catherine Kemper  
*Attorney, Agent, or Firm*—Bertha L. MacGregor

[57]

**CLAIM**

The ornamental design for a solar stove, substantially as shown.

**DESCRIPTION**

FIG. 1 is a side elevational view of a solar stove showing our new design.

FIG. 2 is a side elevational view of the side opposite that shown in FIG. 1.

FIG. 3 is a front elevational view thereof; and FIG. 4 is a rear elevational view thereof.

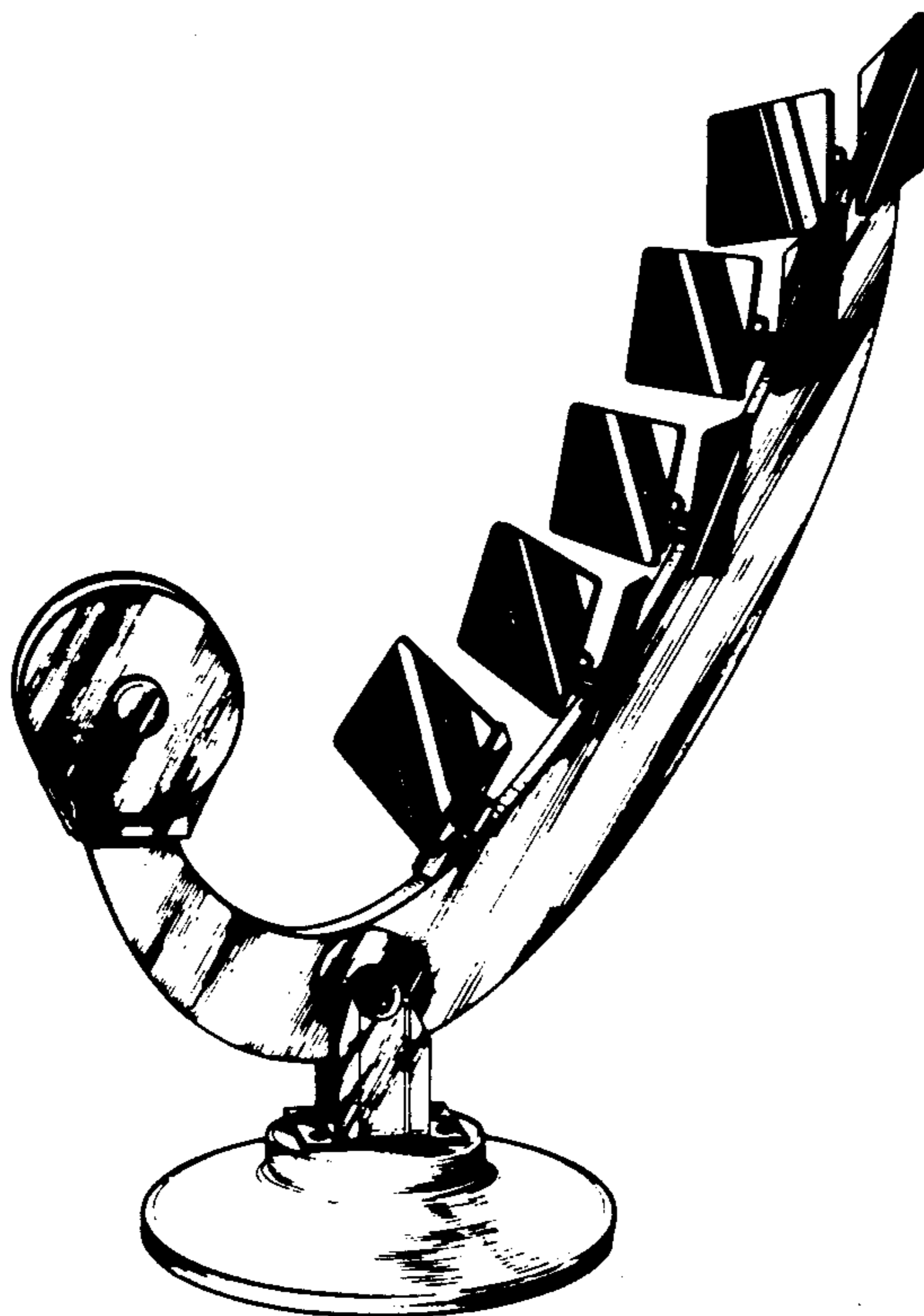


Fig. 1

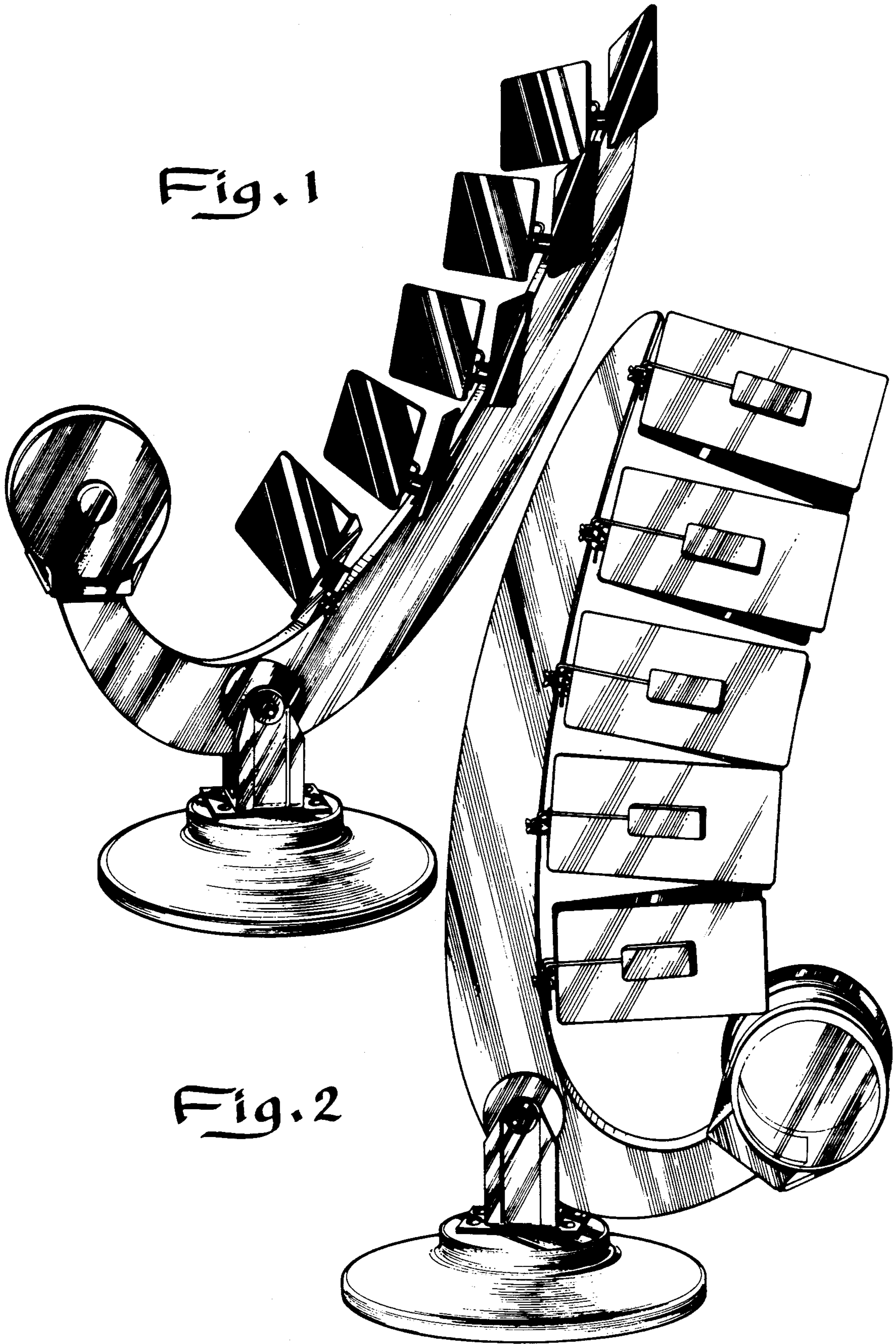
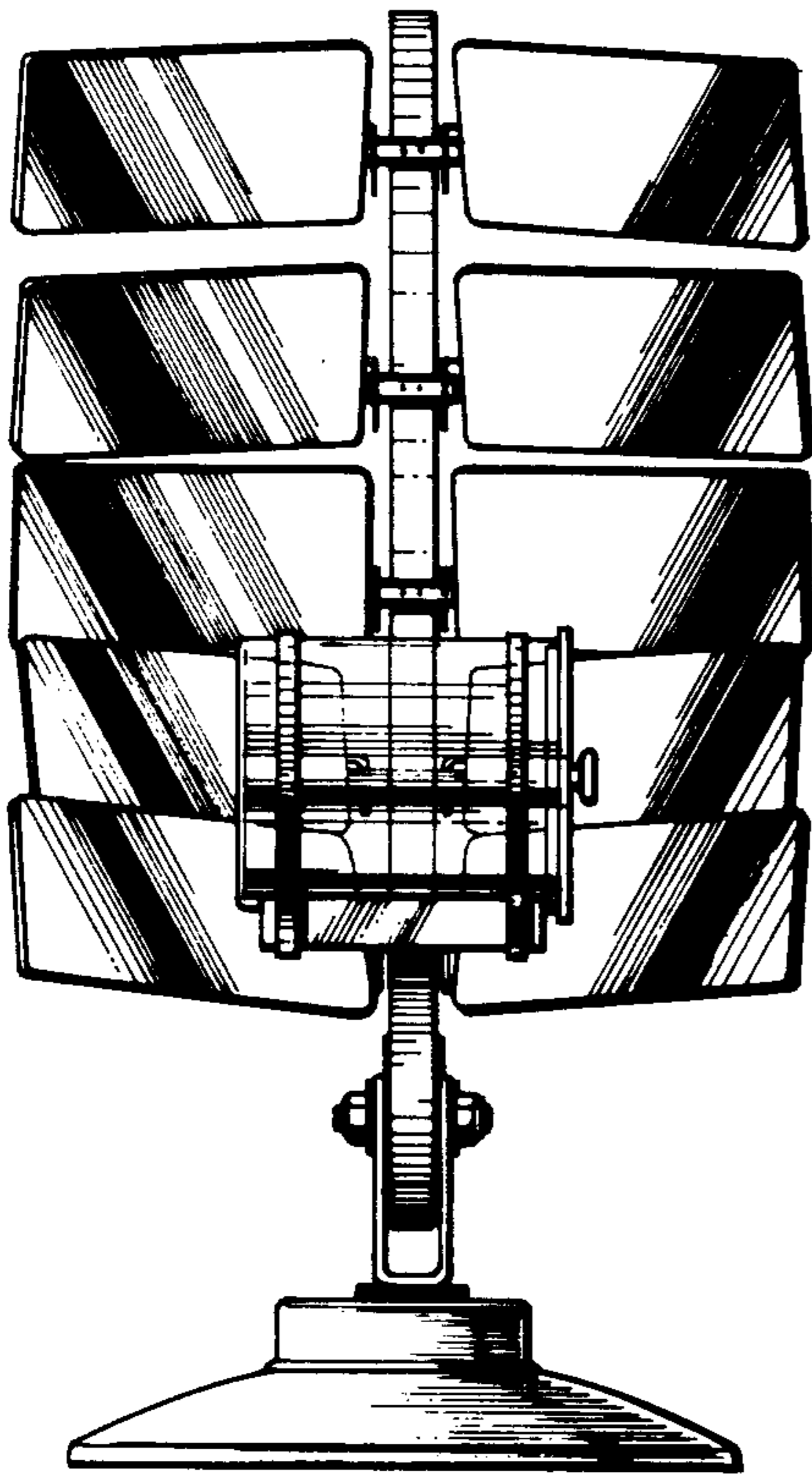
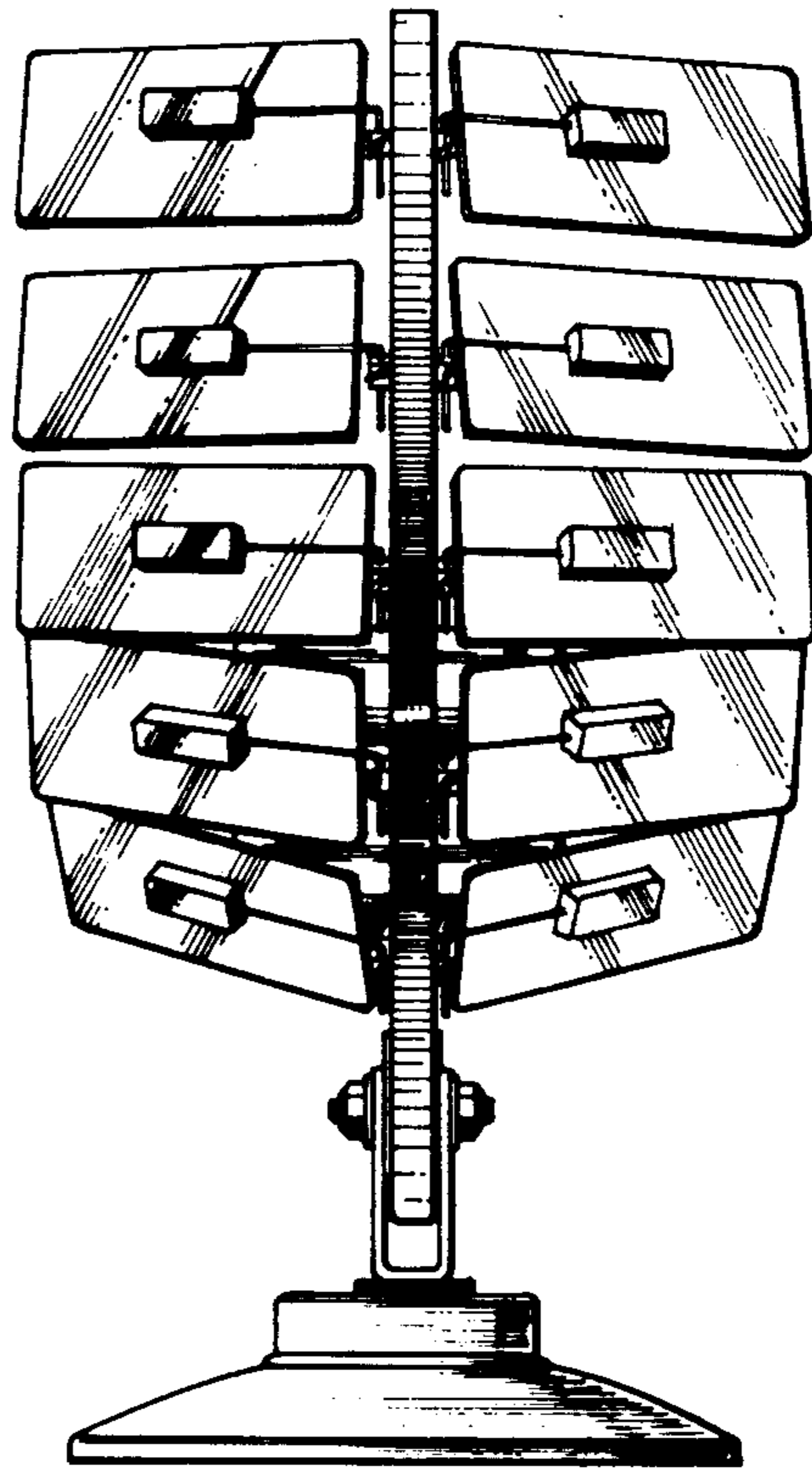


Fig. 2



*Fig. 3*



*Fig. 4*