

[54] CHAIR

[75] Inventor: Karl Lübke, Rheda, Fed. Rep. of Germany

[73] Assignee: Lübke KG, Rheda, Fed. Rep. of Germany

[**] Term: 14 Years

[21] Appl. No.: 831,798

[22] Filed: Sep. 9, 1977

[51] Int. Cl. D6-01

[52] U.S. Cl. D6/66

[58] Field of Search D6/37-78; 297/296, 463

[56] References Cited

U.S. PATENT DOCUMENTS

D. 142,802 11/1945 Weill D6/66

D. 147,133	7/1947	Mankki	D6/66
D. 236,047	7/1975	Hoshall et al.	D6/60
D. 236,670	9/1975	Uyeda	D6/66
D. 238,836	2/1976	Costabile	D6/63
D. 244,894	7/1977	Tillberg	D6/66 X

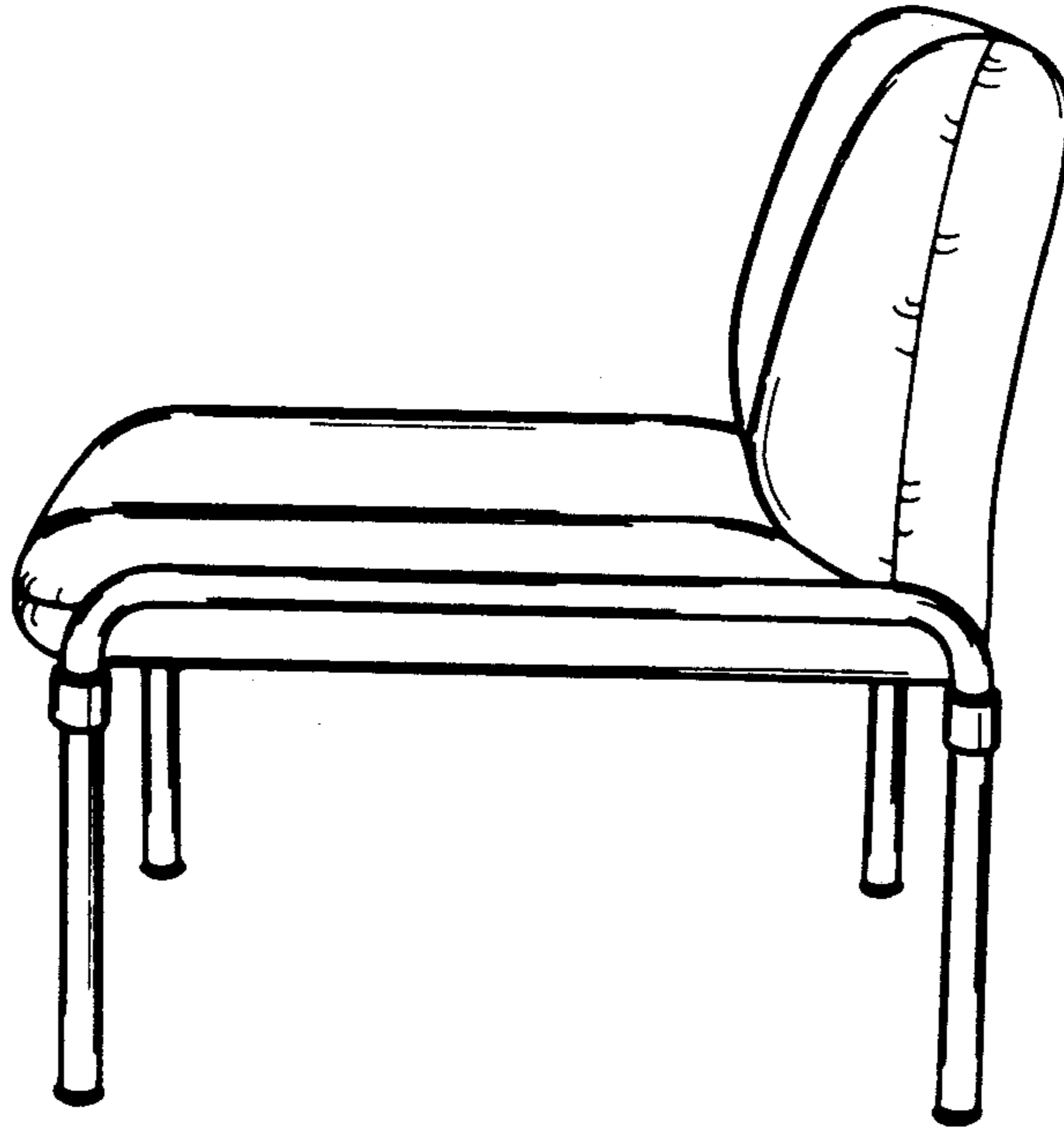
Primary Examiner—Bruce W. Dunkins
Attorney, Agent, or Firm—David S. Kane

[57] CLAIM

The ornamental design for a chair, substantially as shown.

DESCRIPTION

FIG. 1 is a perspective front elevational view of a chair showing the new design;
FIG. 2 is a perspective rear elevational view of the chair;
FIG. 3 is a perspective side elevational view of the chair as seen from the right-hand side of FIG. 1; and
FIG. 4 is a perspective side elevational view of the chair as seen from the left-hand side of FIG. 1.



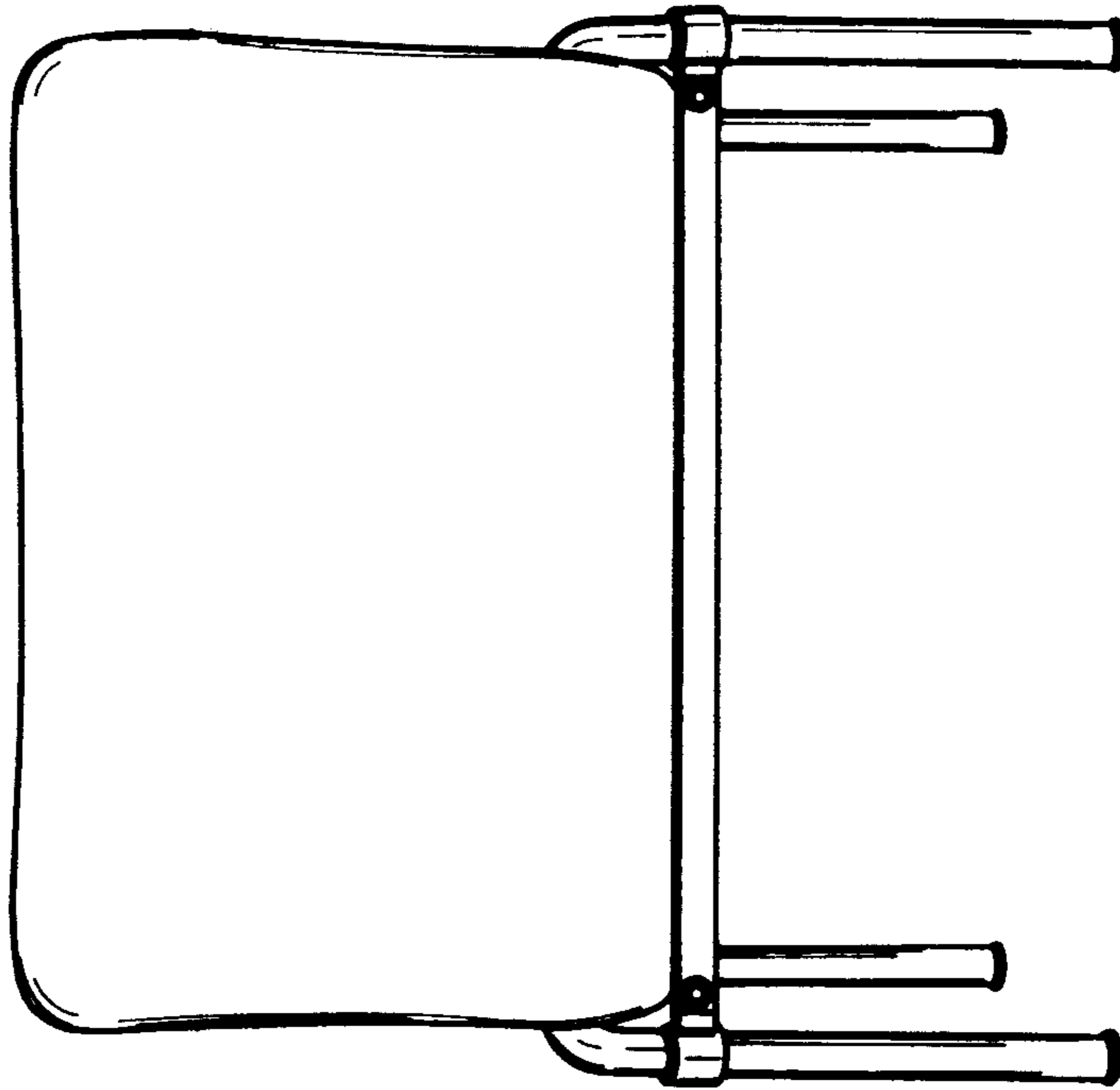


FIG. 2

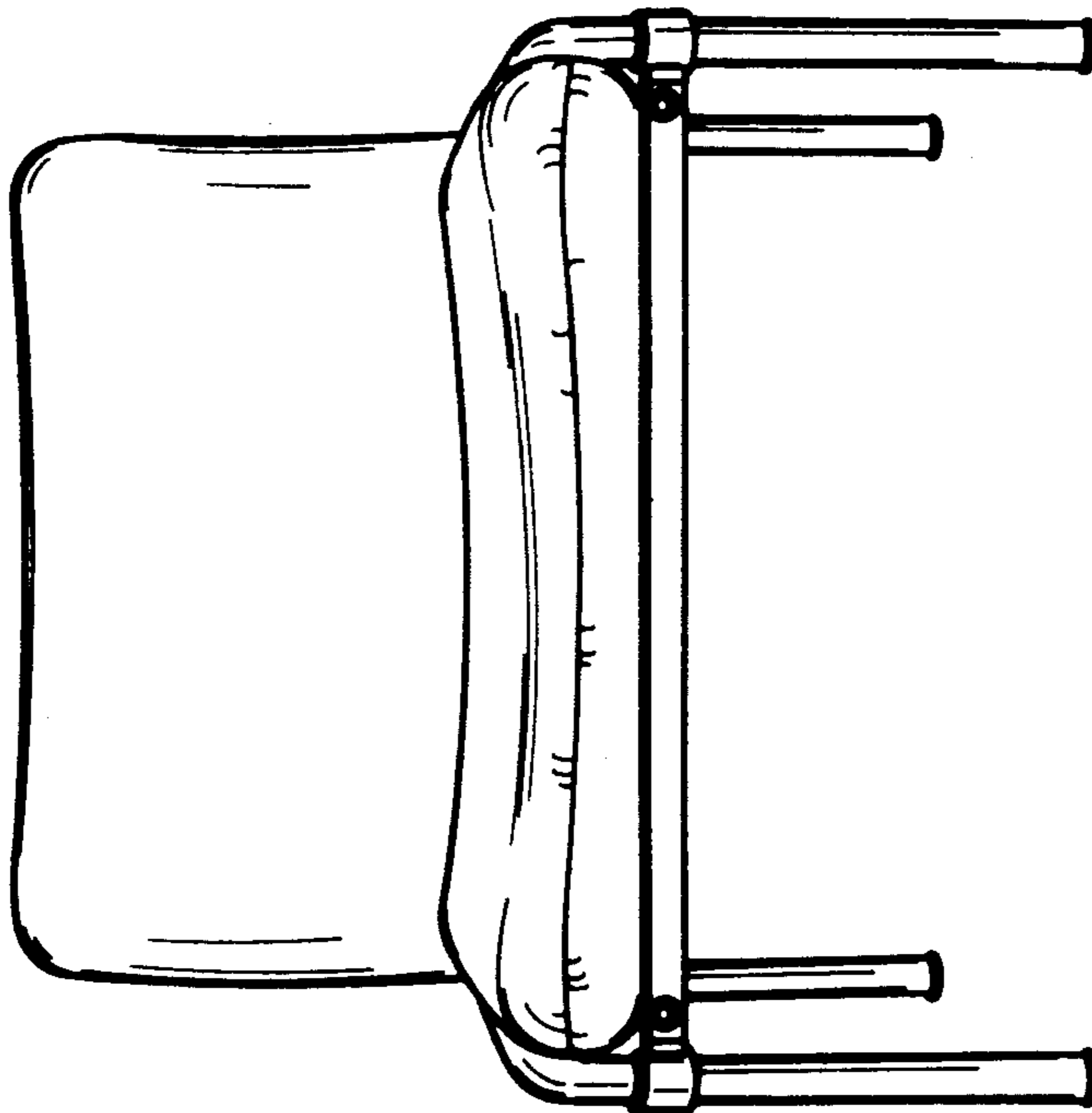


FIG. 1

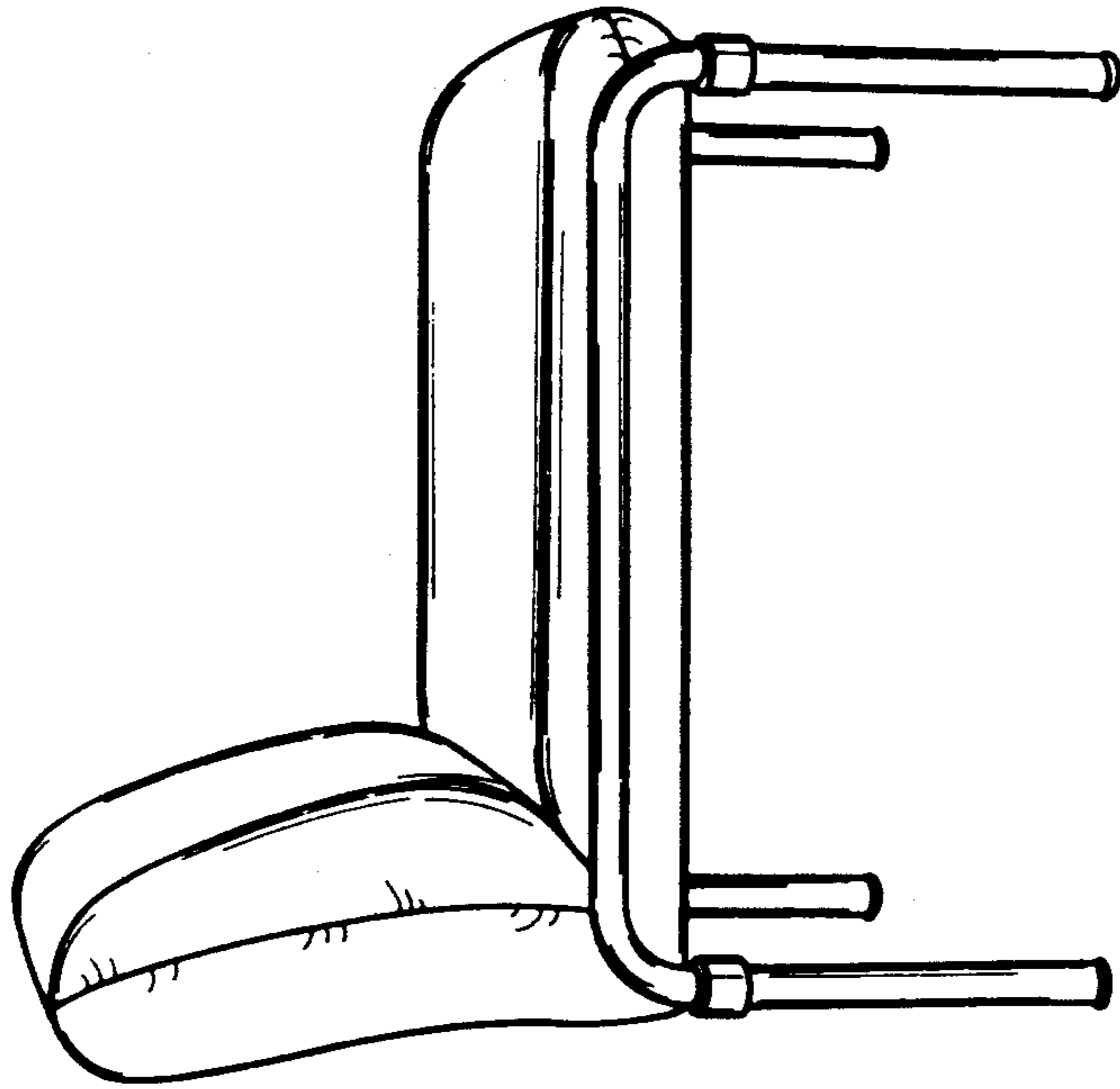


FIG. 4

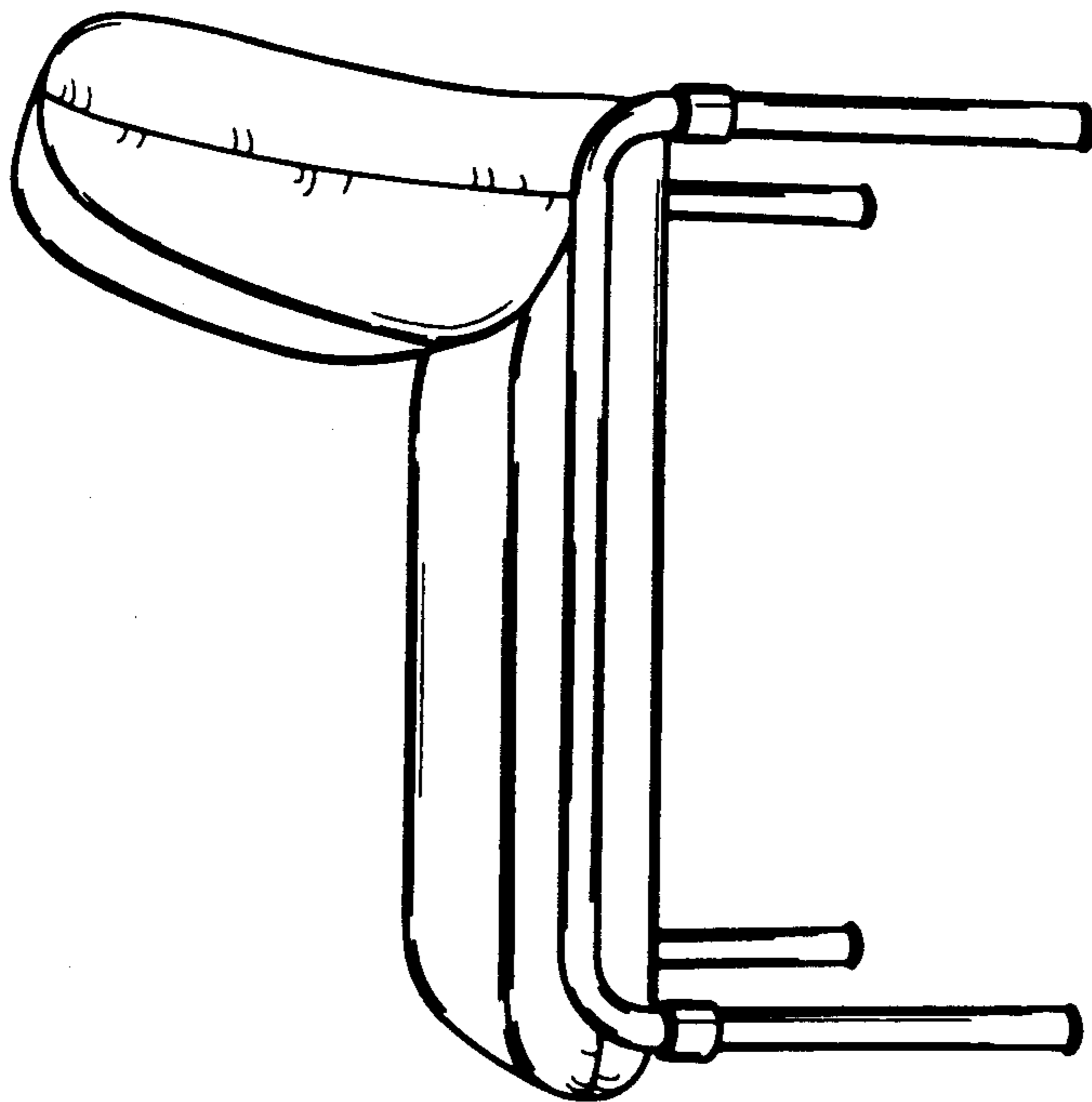


FIG. 3