

[54] TOY TURTLE

[75] Inventor: Walter P. Doe, East Aurora, N.Y.

[73] Assignee: The Quaker Oats Company, Chicago, Ill.

[**] Term: 14 Years

[21] Appl. No.: 876,845

[22] Filed: Feb. 10, 1978

[51] Int. Cl. D21-01

[52] U.S. Cl. D21/157

[58] Field of Search D34/2 R, 2 C, 15 B, D34/15 D; 46/103, 120, 123, 149, 148, 145

[56] References Cited

U.S. PATENT DOCUMENTS

D. 160,217 9/1950 Sebel D34/2 R
D. 176,107 11/1955 Carrick D34/2 C

D. 217,685 5/1970 Steffens D34/2 C
2,181,024 11/1939 Pifalo D34/2 C

OTHER PUBLICATIONS

Playthings, 3-1962, p. 6, item #622, Turtle.

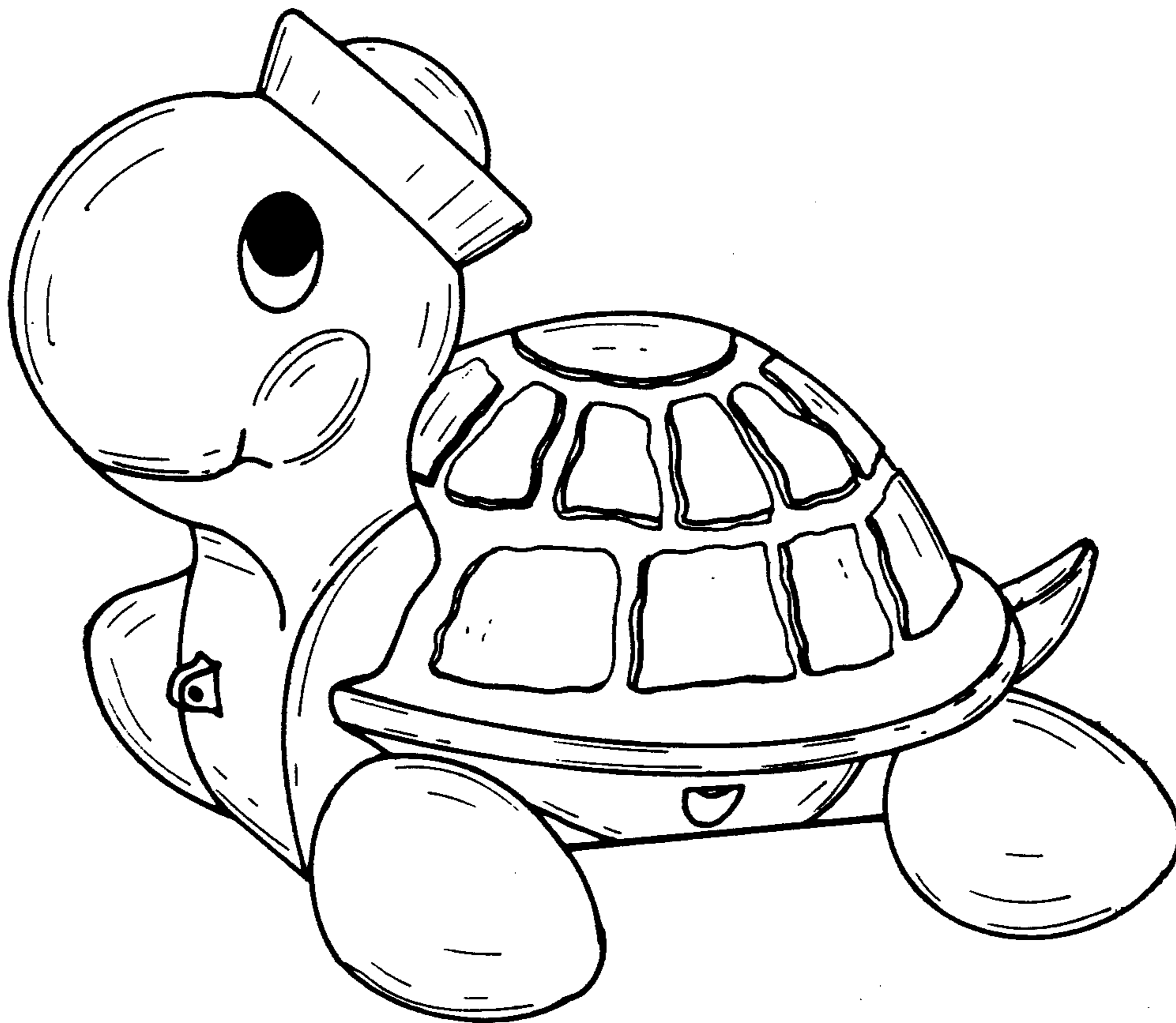
Primary Examiner—Joel Stearman
Assistant Examiner—Charles A. Rademaker
Attorney, Agent, or Firm—George W. Shaw

[57] CLAIM

The ornamental design for a toy turtle, substantially as shown.

DESCRIPTION

FIG. 1 is a perspective view of a toy turtle showing my new design;
FIG. 2 is a right-side elevational view thereof on an enlarged scale;
FIG. 3 is a rear elevational view thereof; and
FIG. 4 is a bottom plan view thereof.



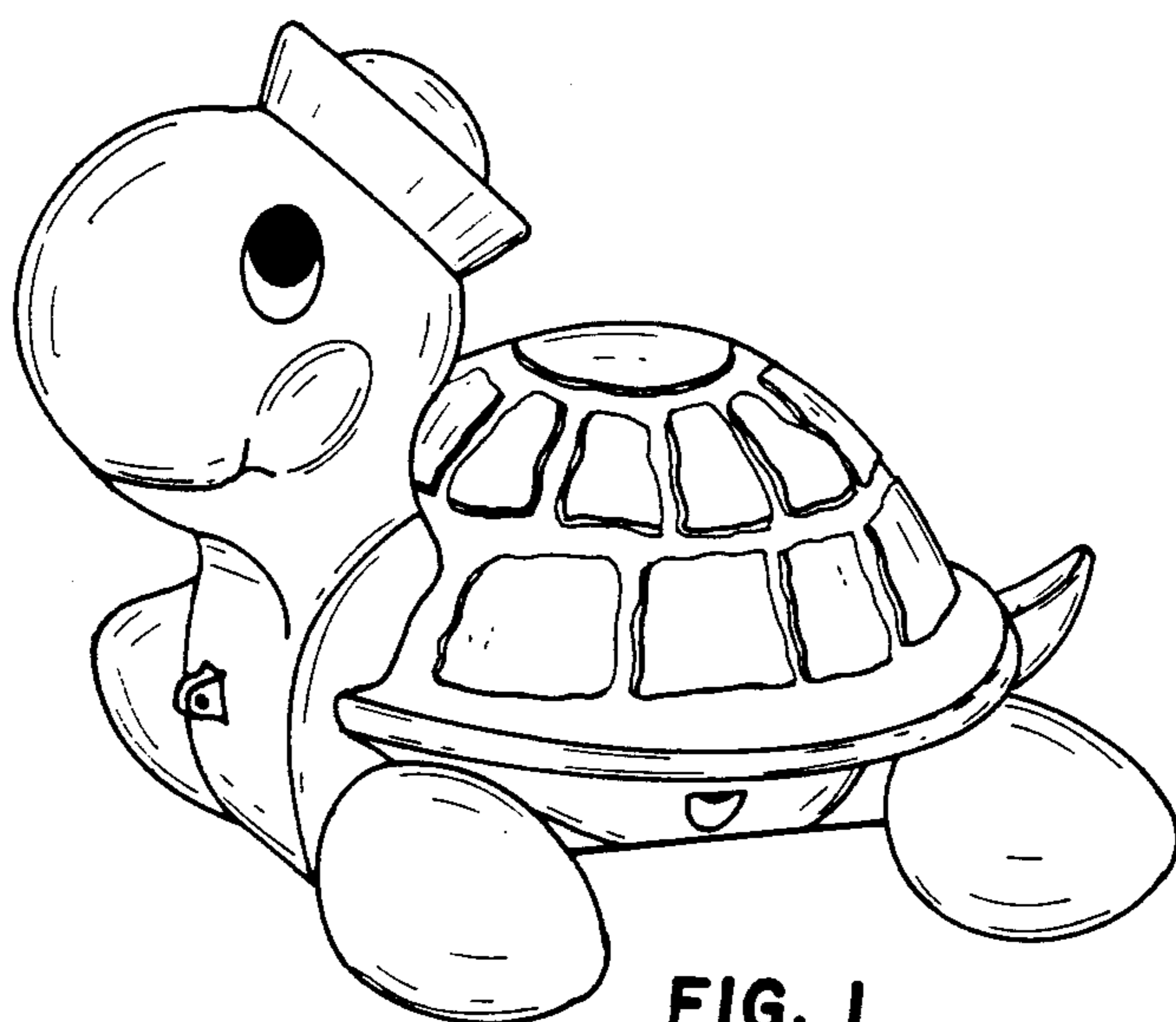


FIG. 1

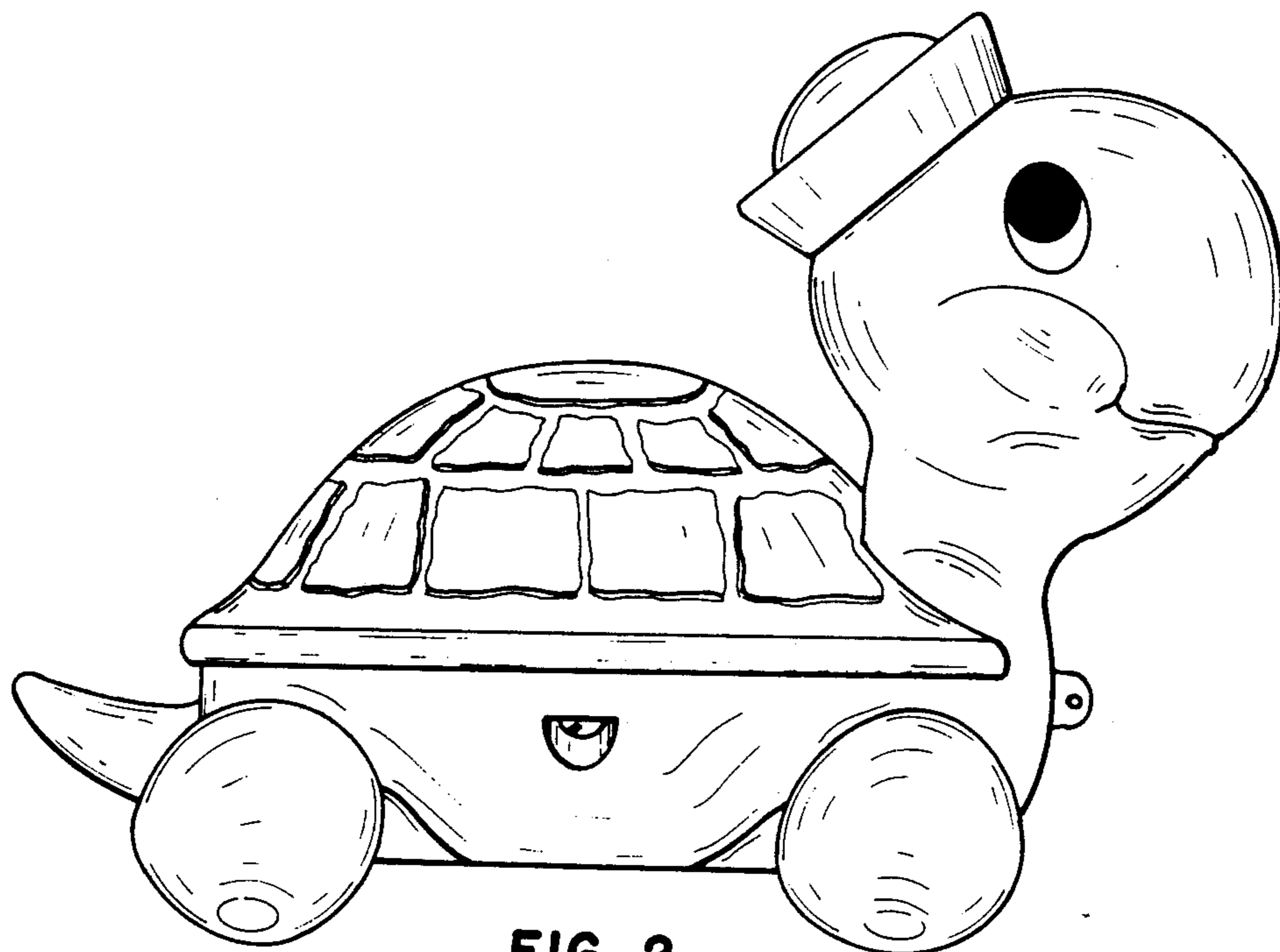


FIG. 2

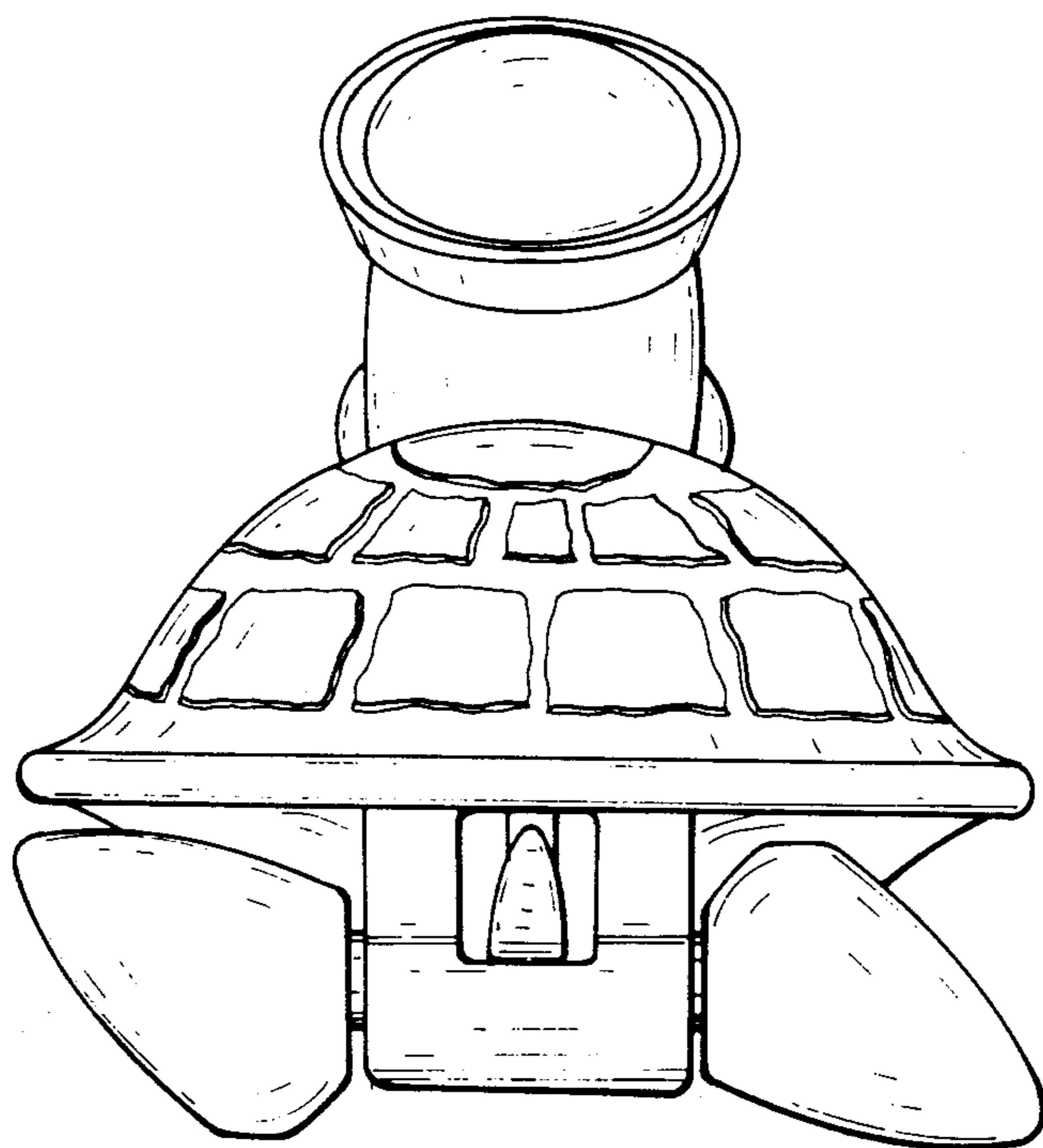


FIG. 3

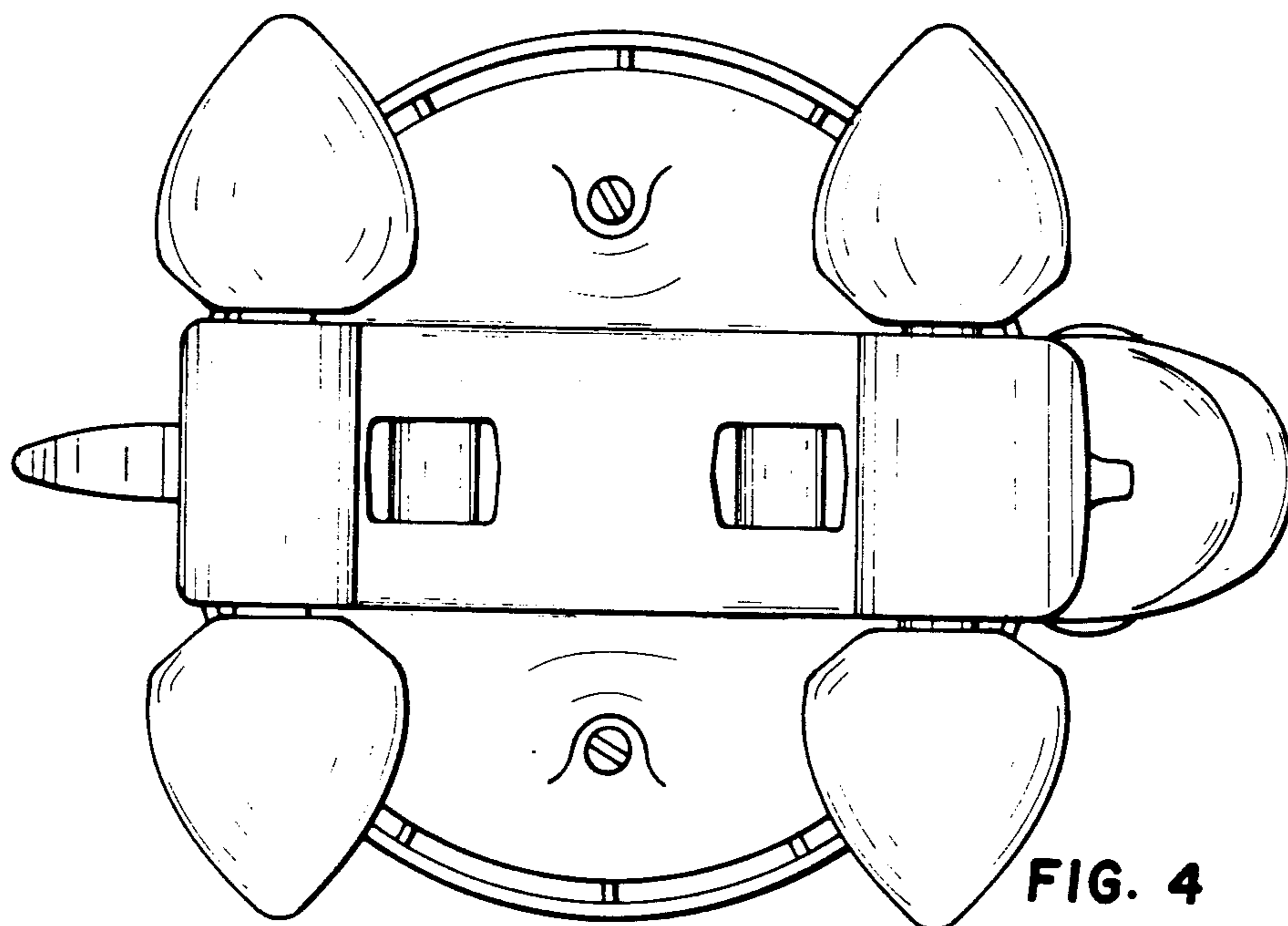


FIG. 4