

[54] DART

3,968,784 7/1976 Miller 273/106.5 A

[75] Inventors: **Bernard J. Cagan**, Los Angeles;
Kenneth L. McQuary, Hermosa Beach, both of Calif.

Primary Examiner—Melvin B. Feifer
Attorney, Agent, or Firm—Warren L. Kern

[73] Assignee: **Placo Products Company**

[57] CLAIM

[**] Term: **14 Years**

The ornamental design for a dart, substantially as shown and described.

[21] Appl. No.: **895,145**

DESCRIPTION

[22] Filed: **Apr. 10, 1978**

FIG. 1 is a perspective view of a dart embodying our new design;

[51] Int. Cl. **D21-01**

FIG. 2 is an enlarged view which can be either a top plan view, a side elevational view from either side, or a bottom plan view;

[52] U.S. Cl. **D21/49**

FIG. 3 is a front end view of the dart, taken from the left end as viewed in FIG. 2;

[58] Field of Search **D21/49; 273/106.5 A**

FIG. 4 is a rear end view thereof, taken from the right end as viewed in FIG. 2; and

[56] **References Cited**

U.S. PATENT DOCUMENTS

- 2,888,004 5/1959 Steiner 273/106.5 A
- 3,801,102 4/1974 Lohr 273/106.5 A

FIG. 5 is a transverse sectional view taken as indicated by the arrowed line 5-5 of FIG. 2.

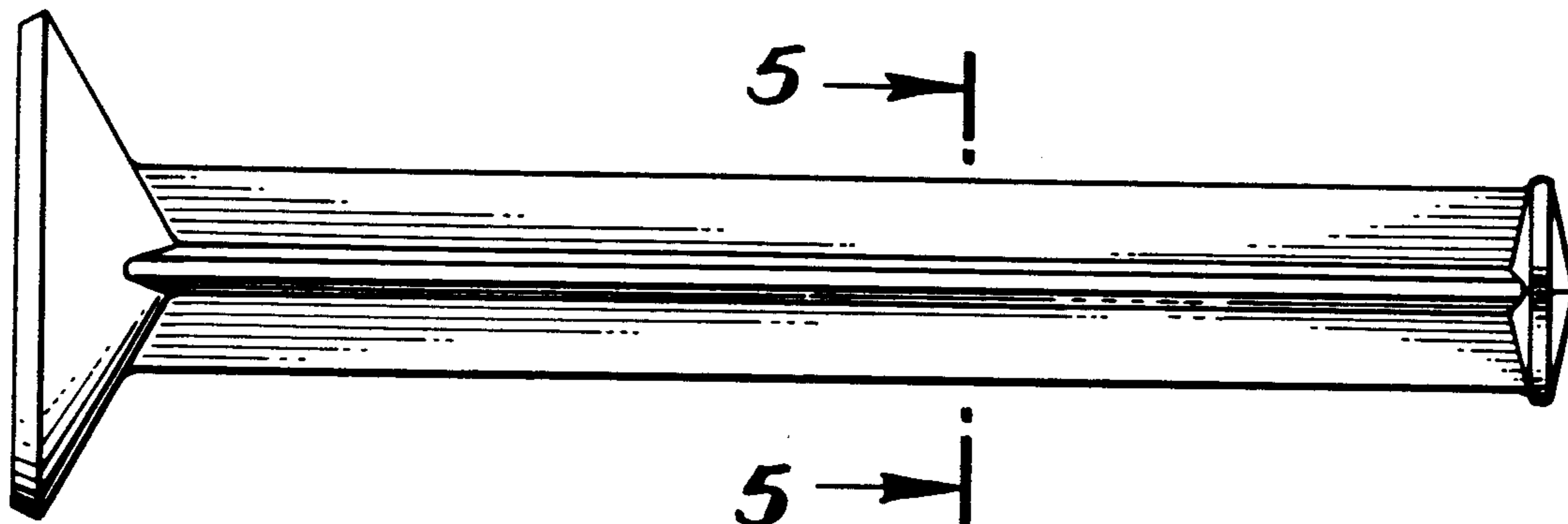


FIG. 1.

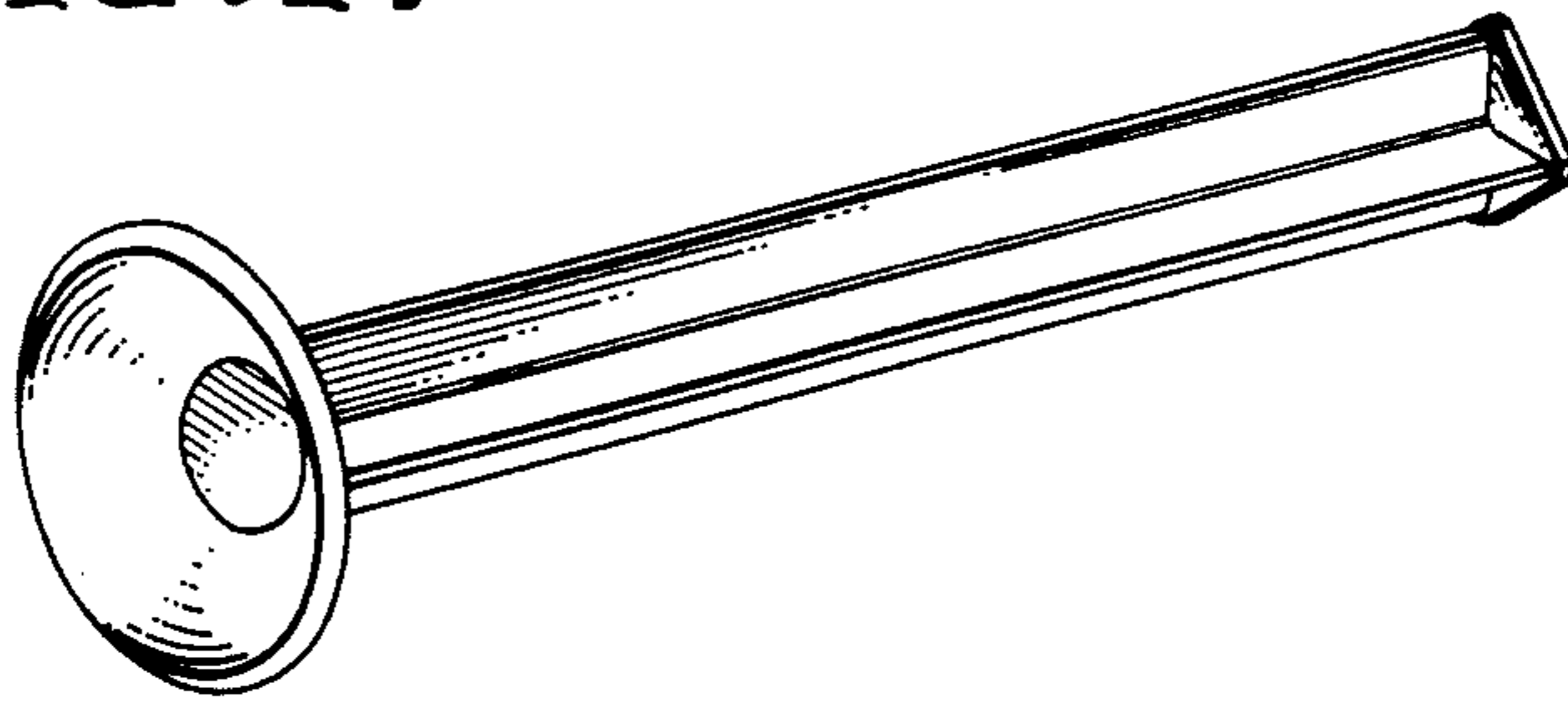


FIG. 2.

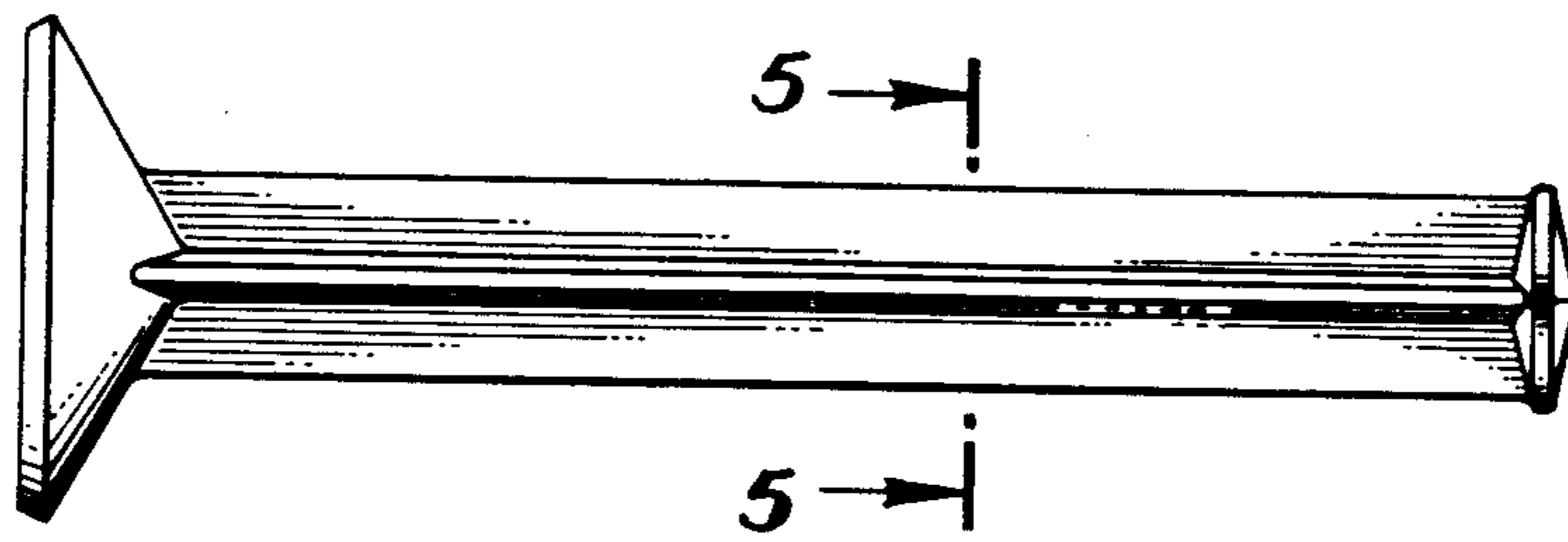


FIG. 3.

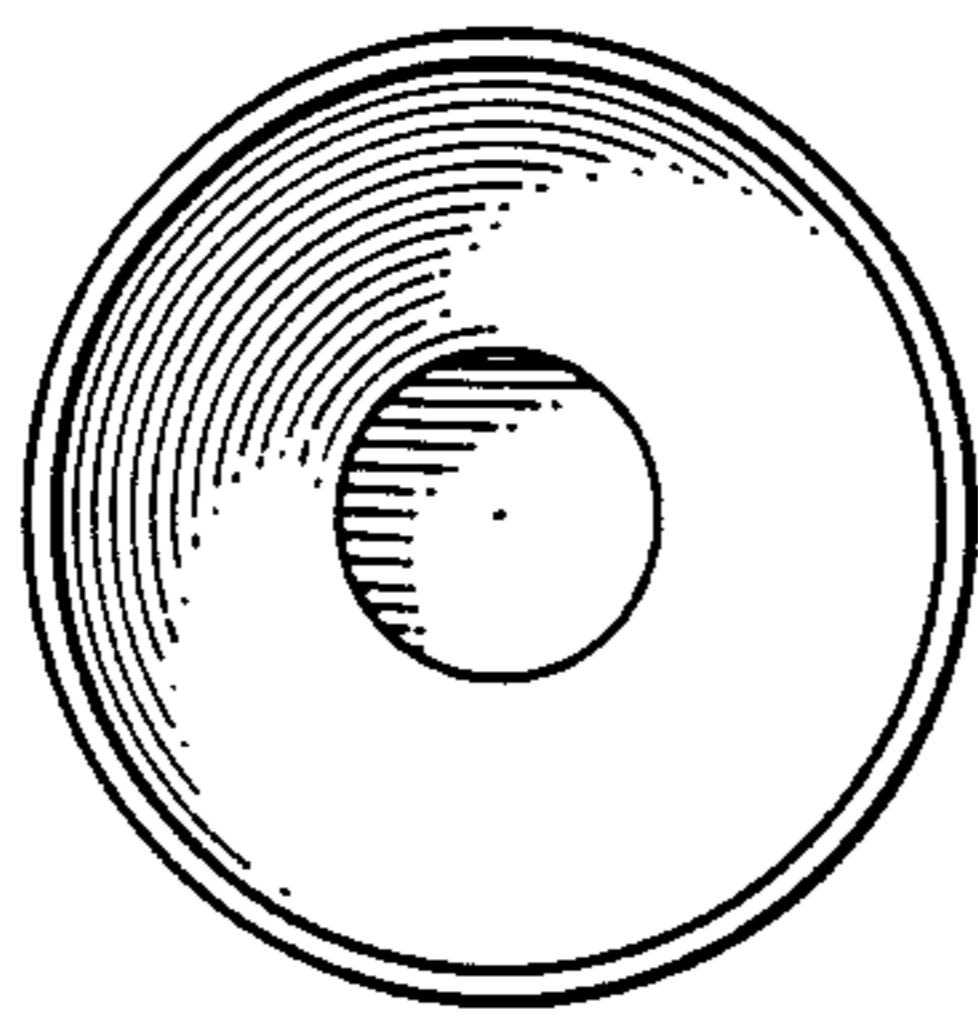


FIG. 4.

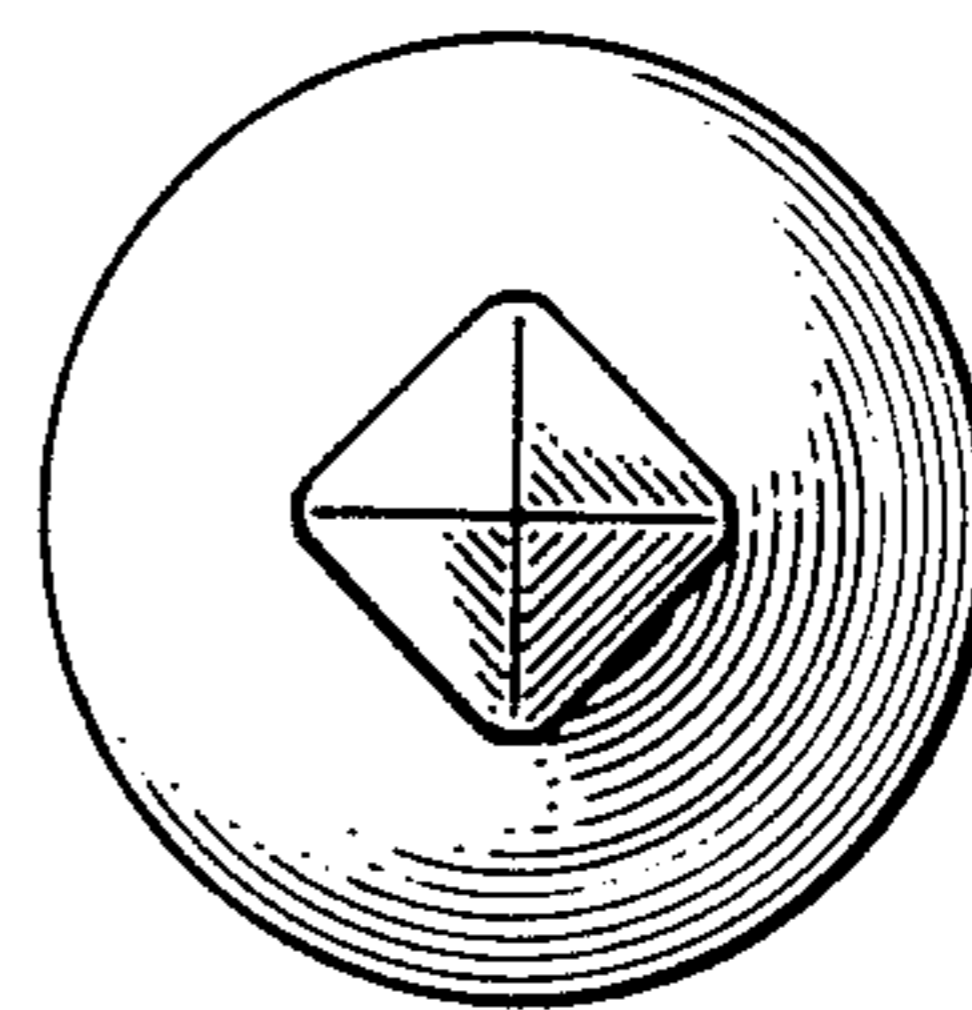


FIG. 5.

