

[54] TRAILER-MOUNTED LOG SPLITTER

[76] Inventor: Troy S. Davis, 800 Ross Trail, Arlington, Tex. 76012

[**] Term: 14 Years

[21] Appl. No.: 943,860

[22] Filed: Sep. 19, 1978

[51] Int. Cl. D15-09; D12-10

[52] U.S. Cl. D15/127; D12/101

[58] Field of Search D15/127; D12/101; 144/193 R, 193 B, 193 G, 193 H, 193 K

[56] References Cited

U.S. PATENT DOCUMENTS

42,323	4/1864	Wibirt	144/193 R
D. 240,073	5/1976	Ebbinghaus	D15/127
4,033,390	7/1977	Piontkowski	144/193 R

FOREIGN PATENT DOCUMENTS

664578 6/1963 Canada 144/193 R

Primary Examiner—Wallace R. Burke

Assistant Examiner—B. J. Bullock

Attorney, Agent, or Firm—Charles W. McHugh

[57] CLAIM

The ornamental design for a trailer-mounted log splitter, as shown.

DESCRIPTION

FIG. 1 is an enlarged perspective view of a trailer-mounted log splitter showing my new design;

FIG. 2 is a side elevational view taken from the right of FIG. 1;

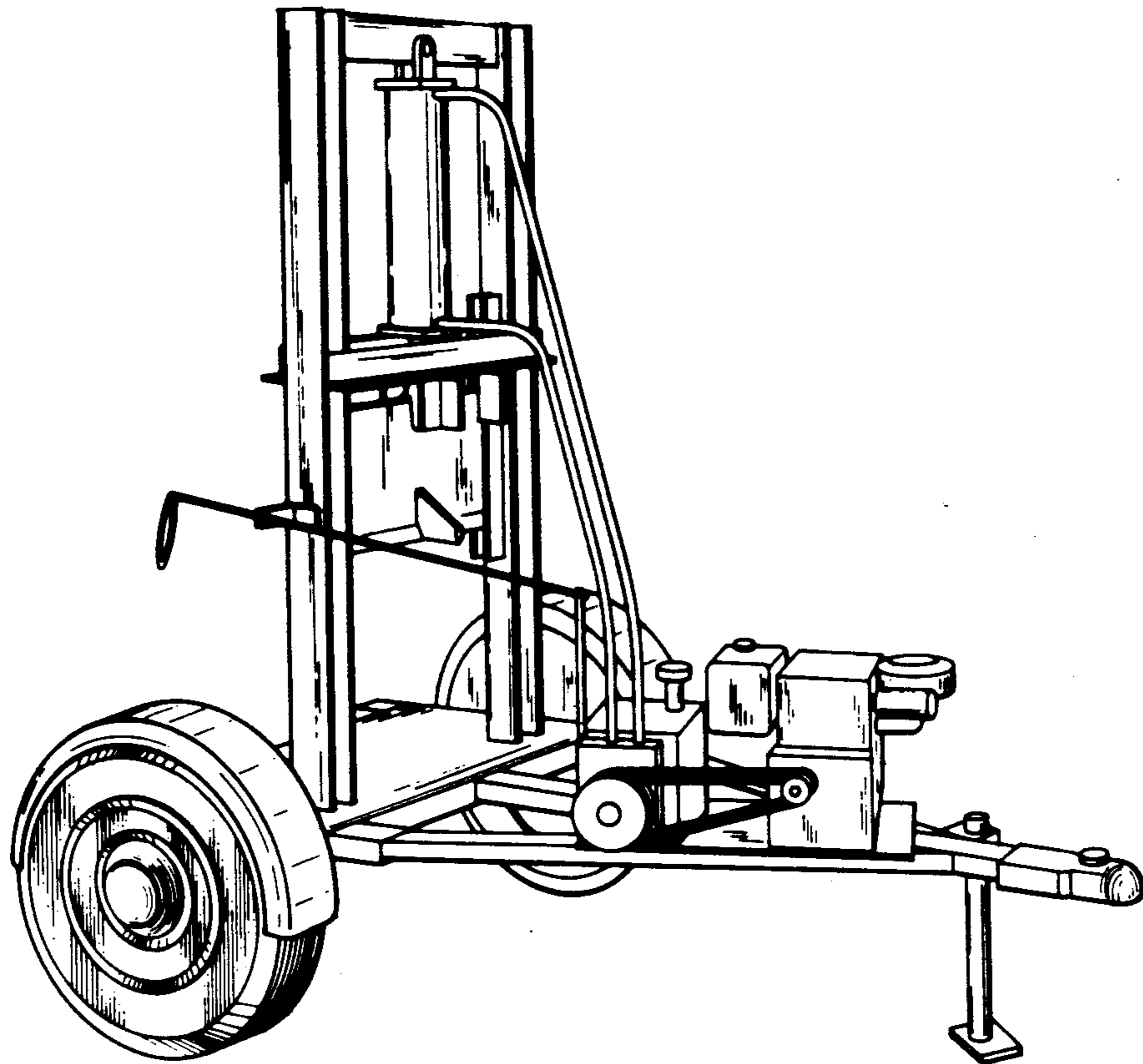
FIG. 3 is a front elevational view thereof;

FIG. 4 is a back elevational view thereof;

FIG. 5 is a side elevational view taken from the left of FIG. 1;

FIG. 6 is a top plan view thereof; and

FIG. 7 is a bottom view thereof.



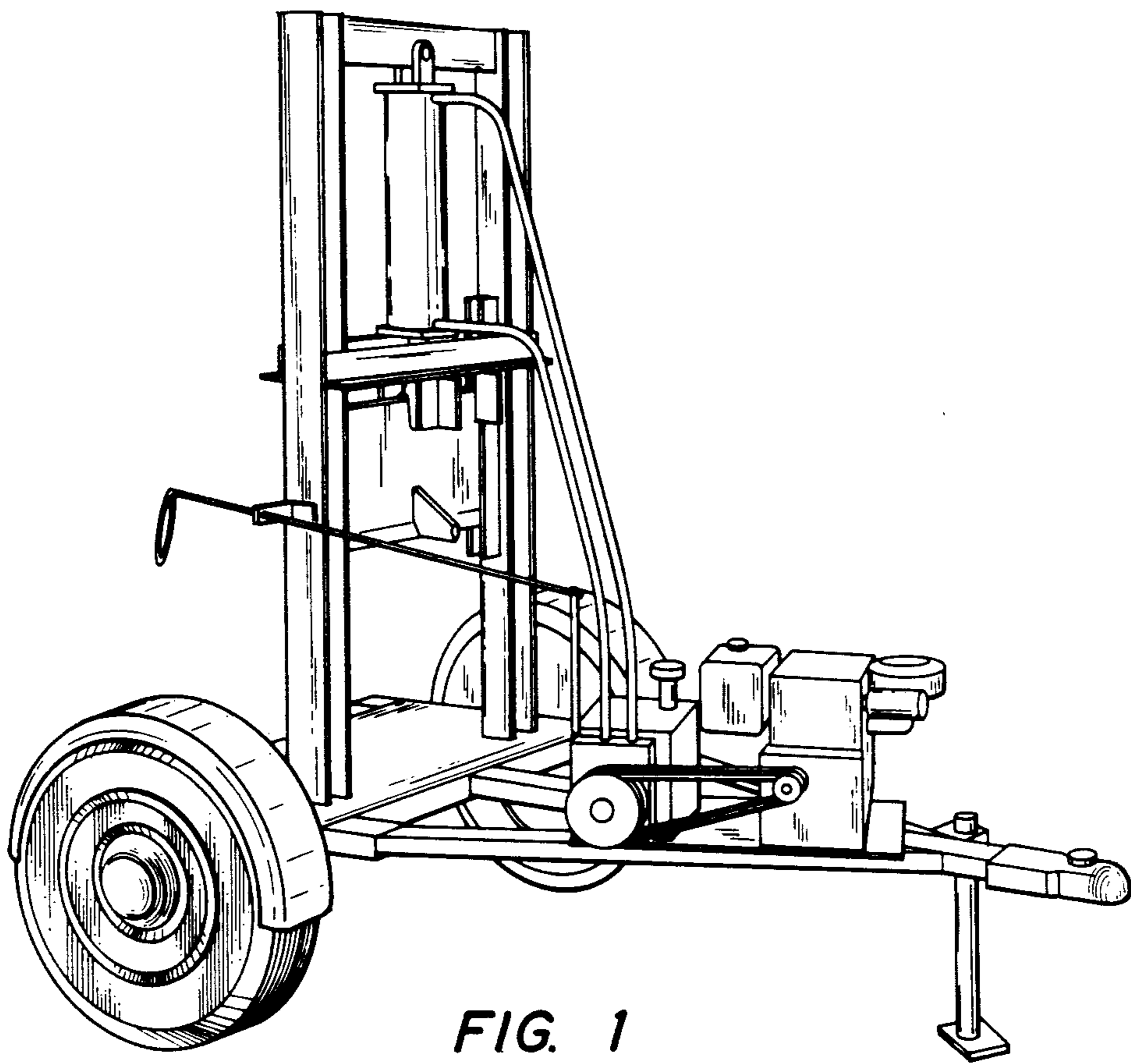


FIG. 1

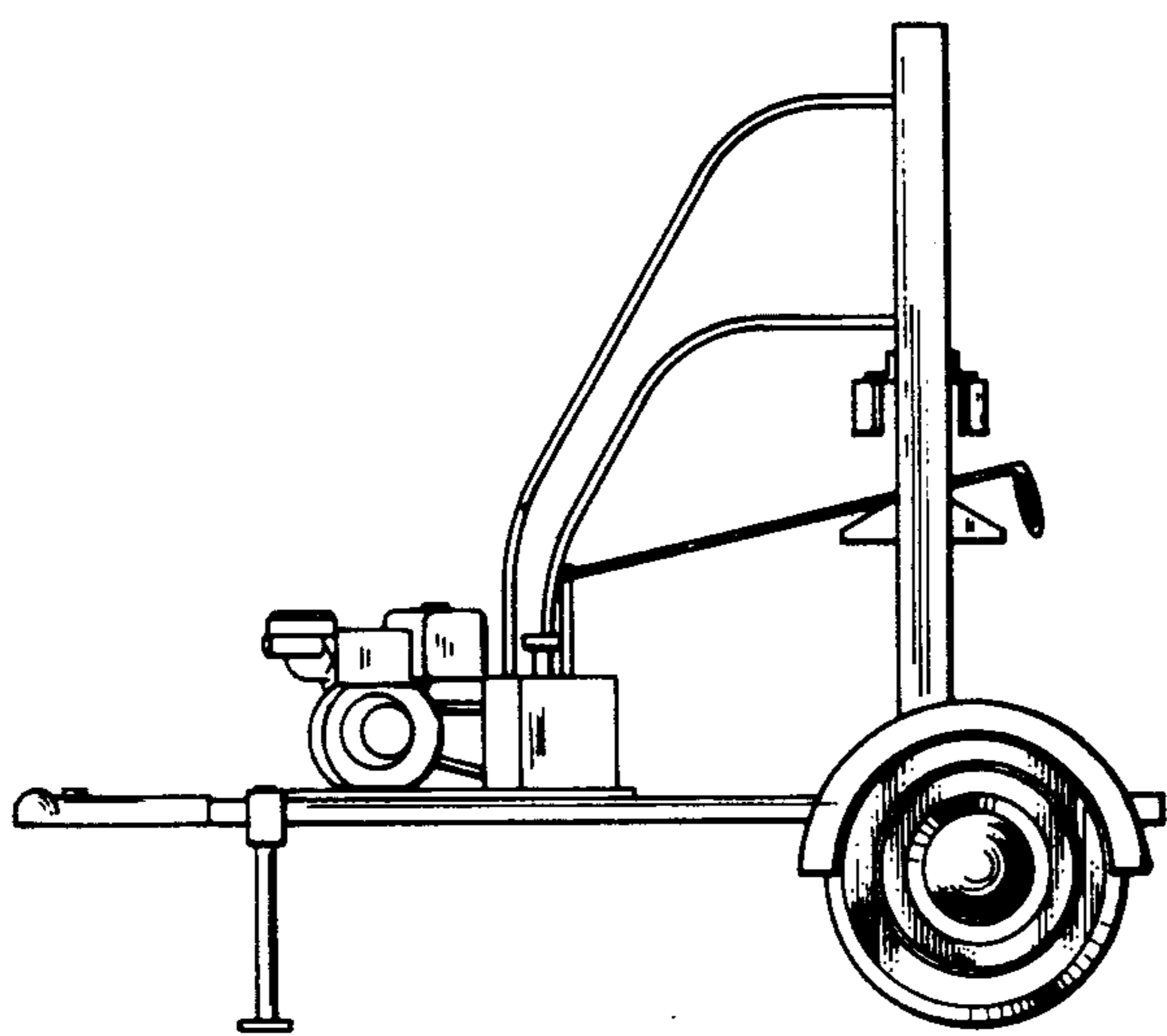


FIG. 2

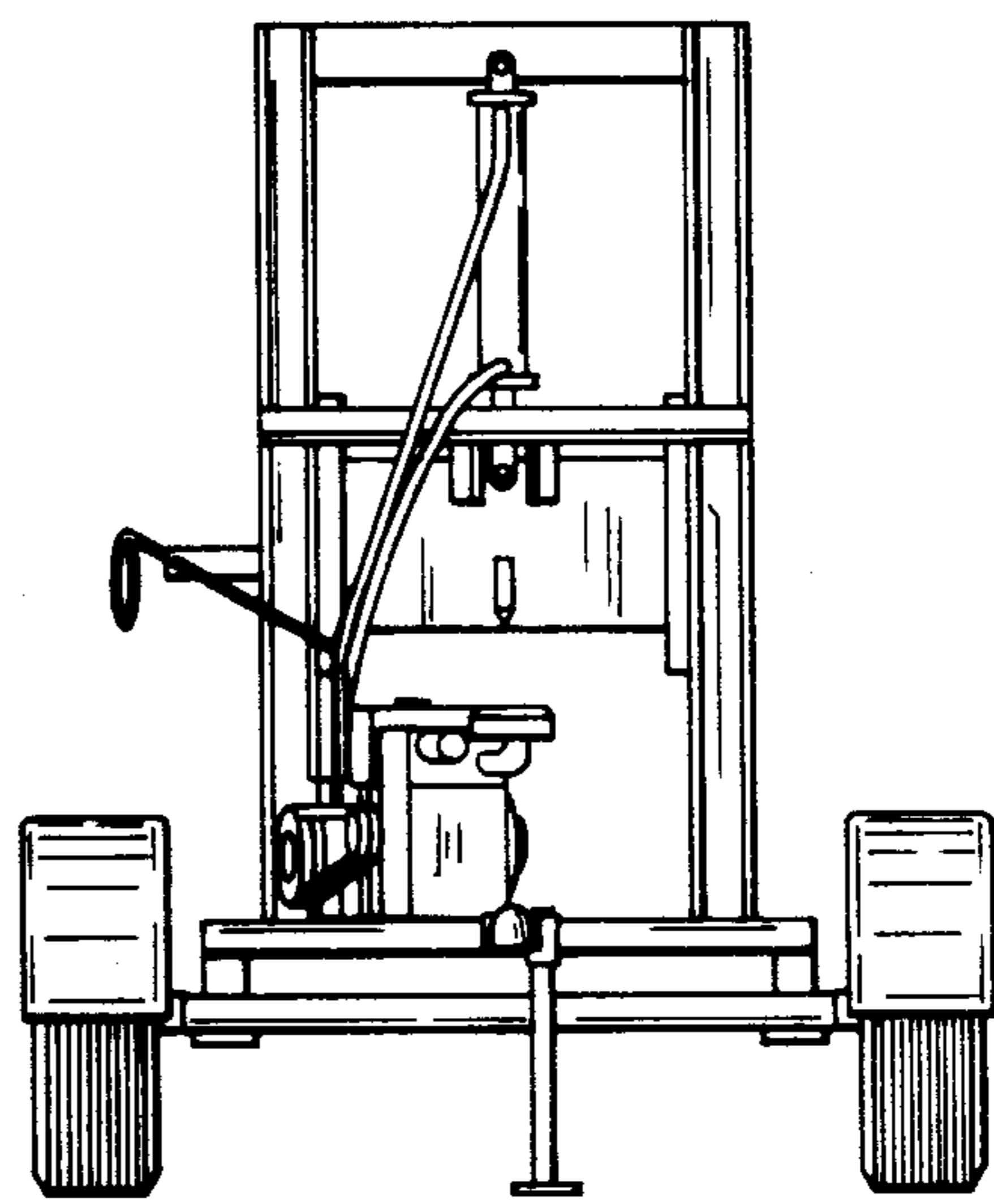


FIG. 3

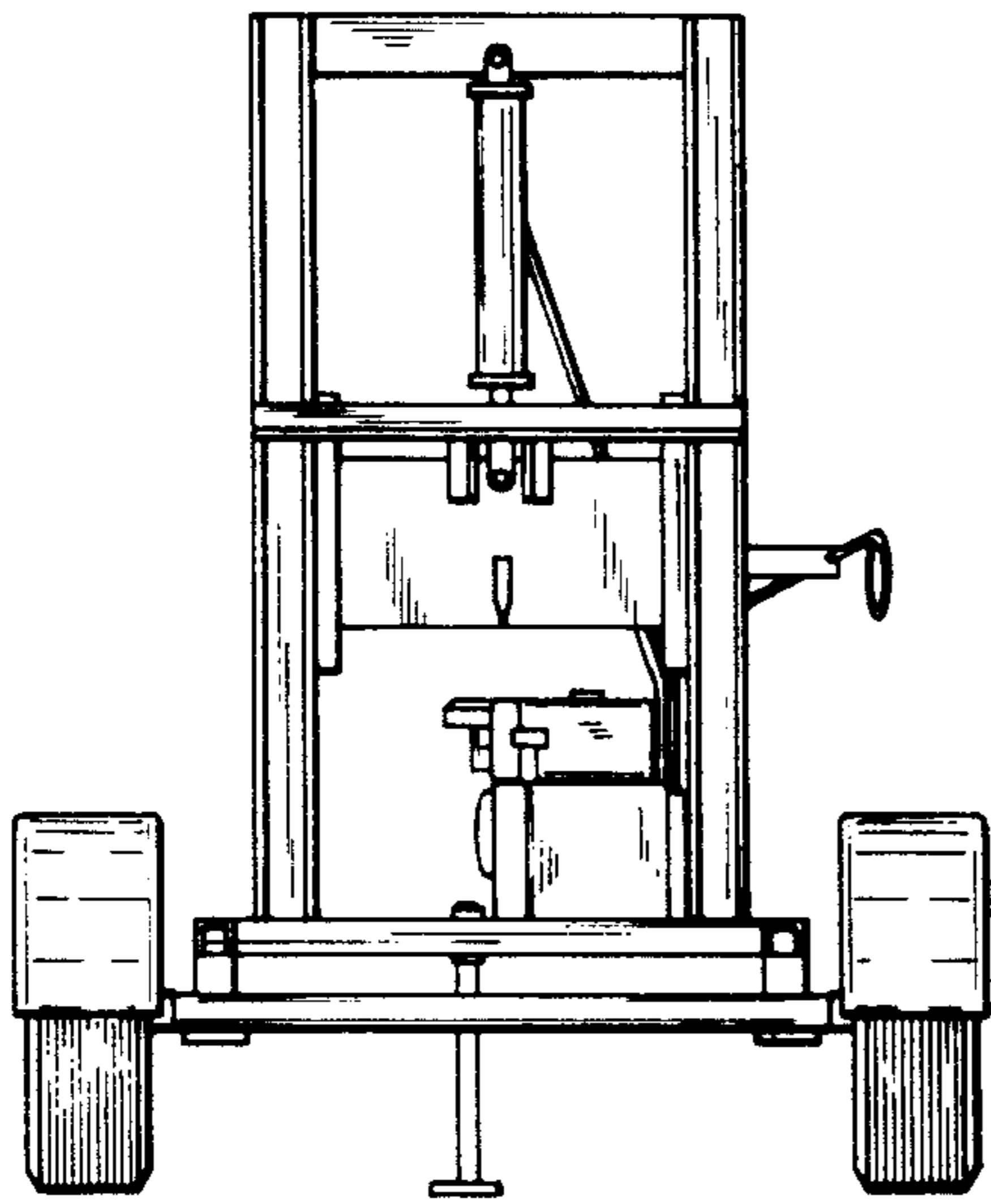


FIG. 4

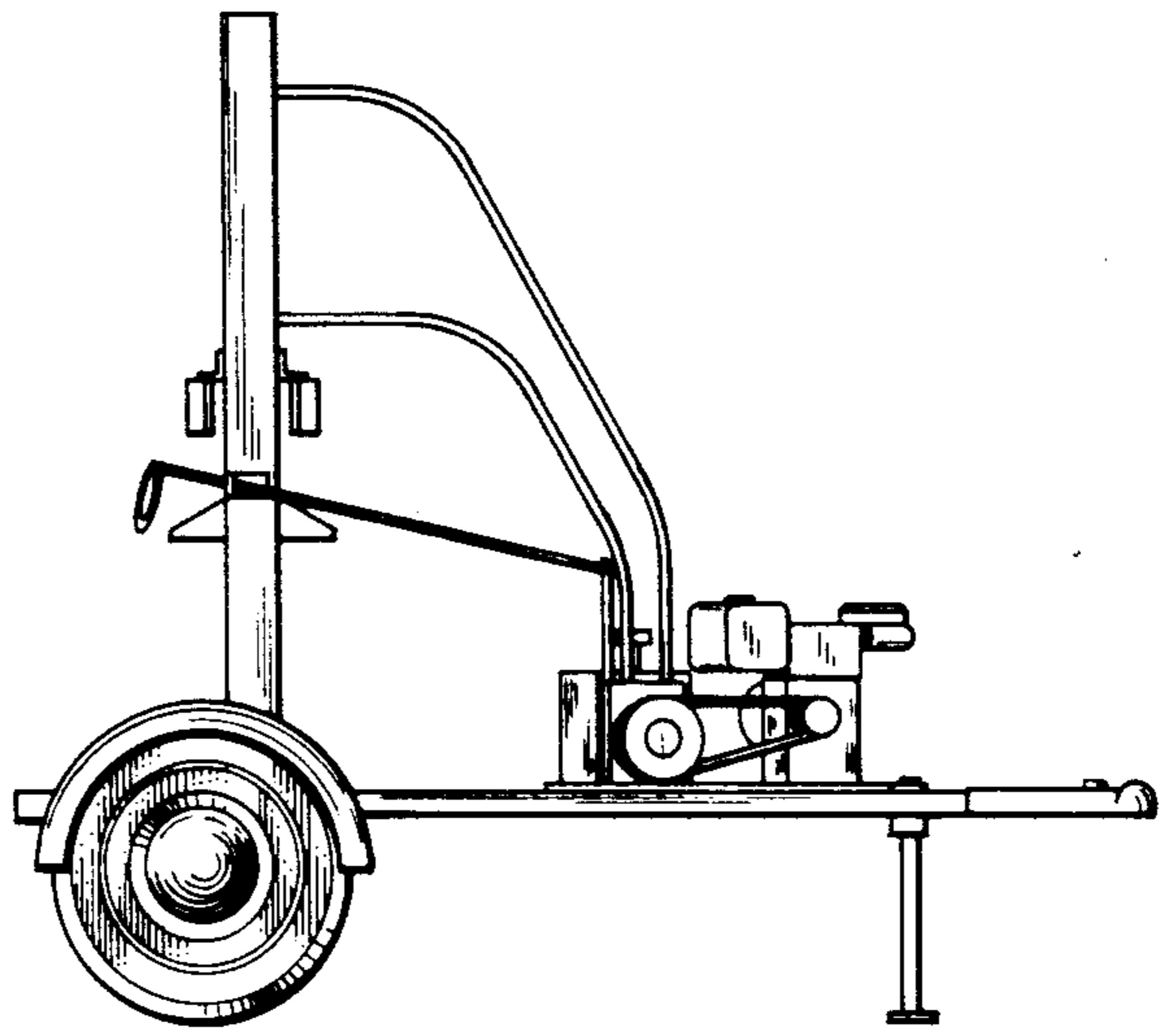


FIG. 5

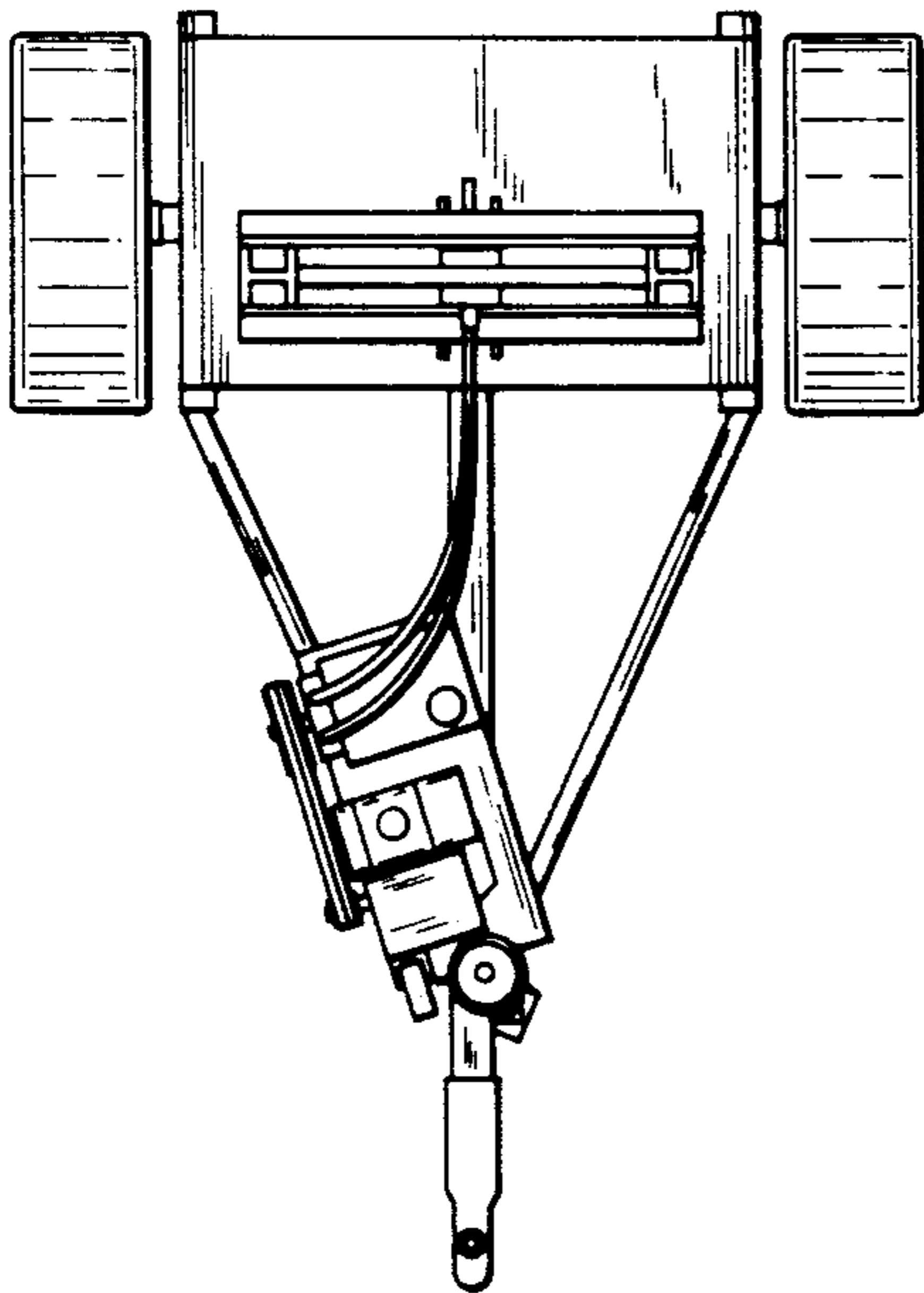


FIG. 6

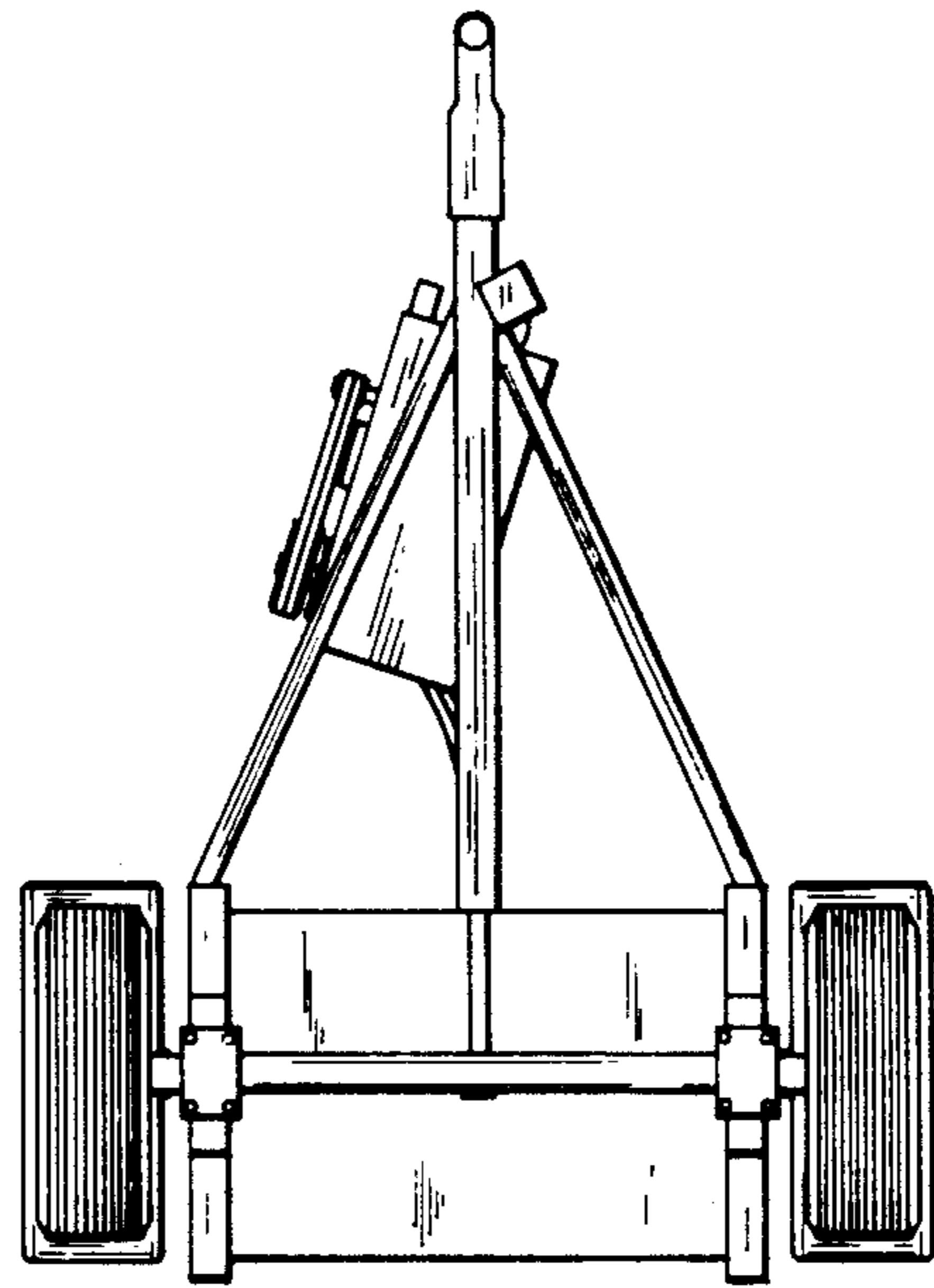


FIG. 7