

[54] POOL EQUIPMENT CART

[76] Inventor: Keith L. Killingsworth, 73197 Adobe Springs, Palm Desert, Calif. 92660

[**] Term: 3 1/2 Years

[21] Appl. No.: 907,781

[22] Filed: May 19, 1978

[51] Int. Cl. D12-02

[52] U.S. Cl. D12/34

[58] Field of Search D12/32, 34; 280/43.1, 280/47.13 R, 47.17, 47.19, 47.23, 47.24, 47.26, 47.27, 79.1 R, 79.1 A, 79.2, 79.3, 652; 211/13, 60 R

[56] References Cited

U.S. PATENT DOCUMENTS

- 2,842,274 7/1958 Sherman D12/34
- 3,131,842 5/1964 Dingle, Jr. et al. D12/32

FOREIGN PATENT DOCUMENTS

1077765 5/1954 France D12/34

Primary Examiner—James M. Gandy
Attorney, Agent, or Firm—G. Donald Weber, Jr.

[57] CLAIM

The ornamental design for a pool equipment cart, as shown and described.

DESCRIPTION

FIG. 1 is a perspective view of a pool equipment cart showing my new design.

FIG. 2 is a side elevational view thereof.

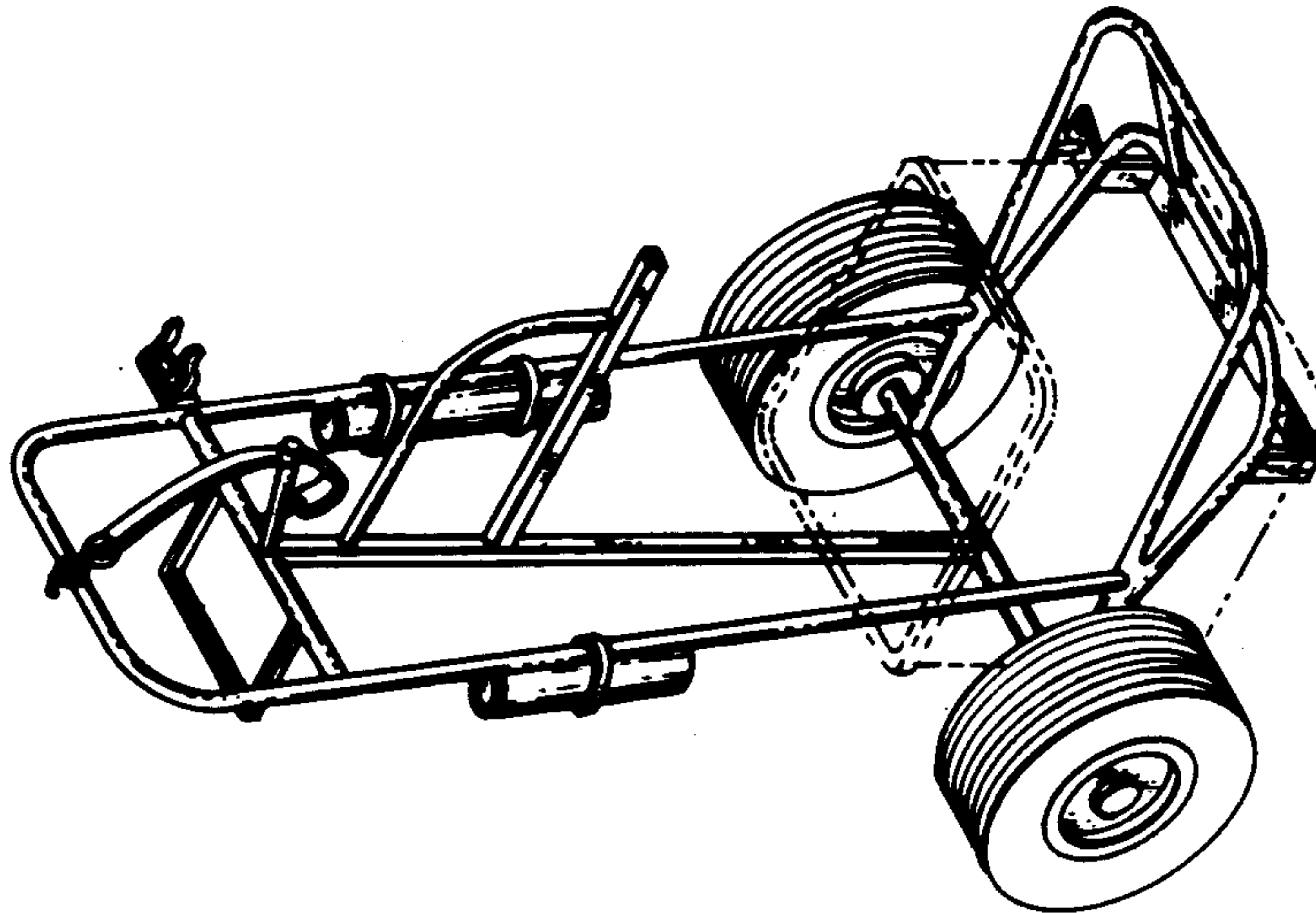
FIG. 3 is a front elevational view thereof.

FIG. 4 is a rear elevational view thereof.

FIG. 5 is a top plan view thereof.

FIG. 6 is a bottom plan view thereof.

The broken lines shown in FIGS. 1 and 2 of the drawing depict a case or the like and are for illustrative purposes only.



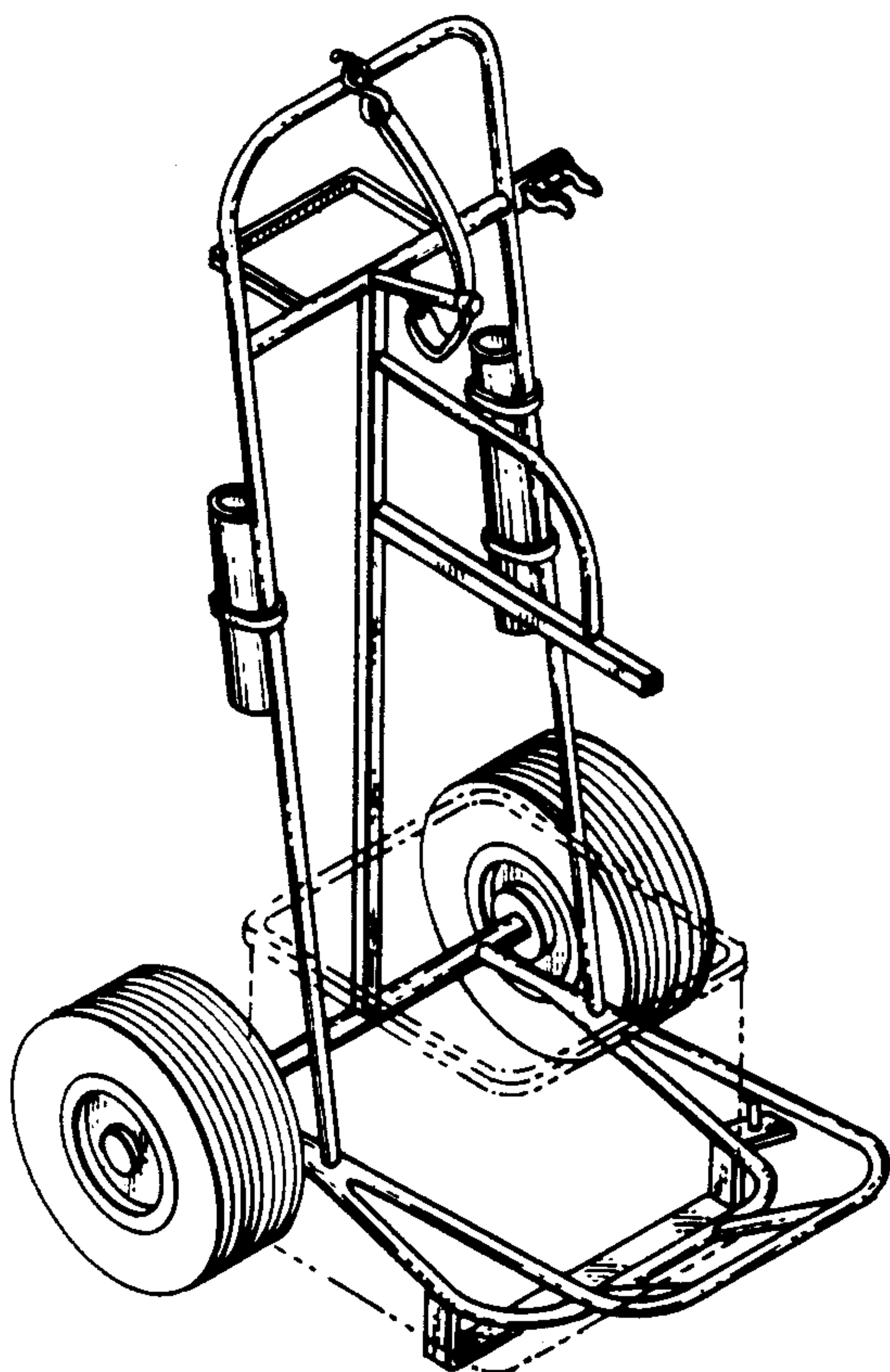


FIG. 1

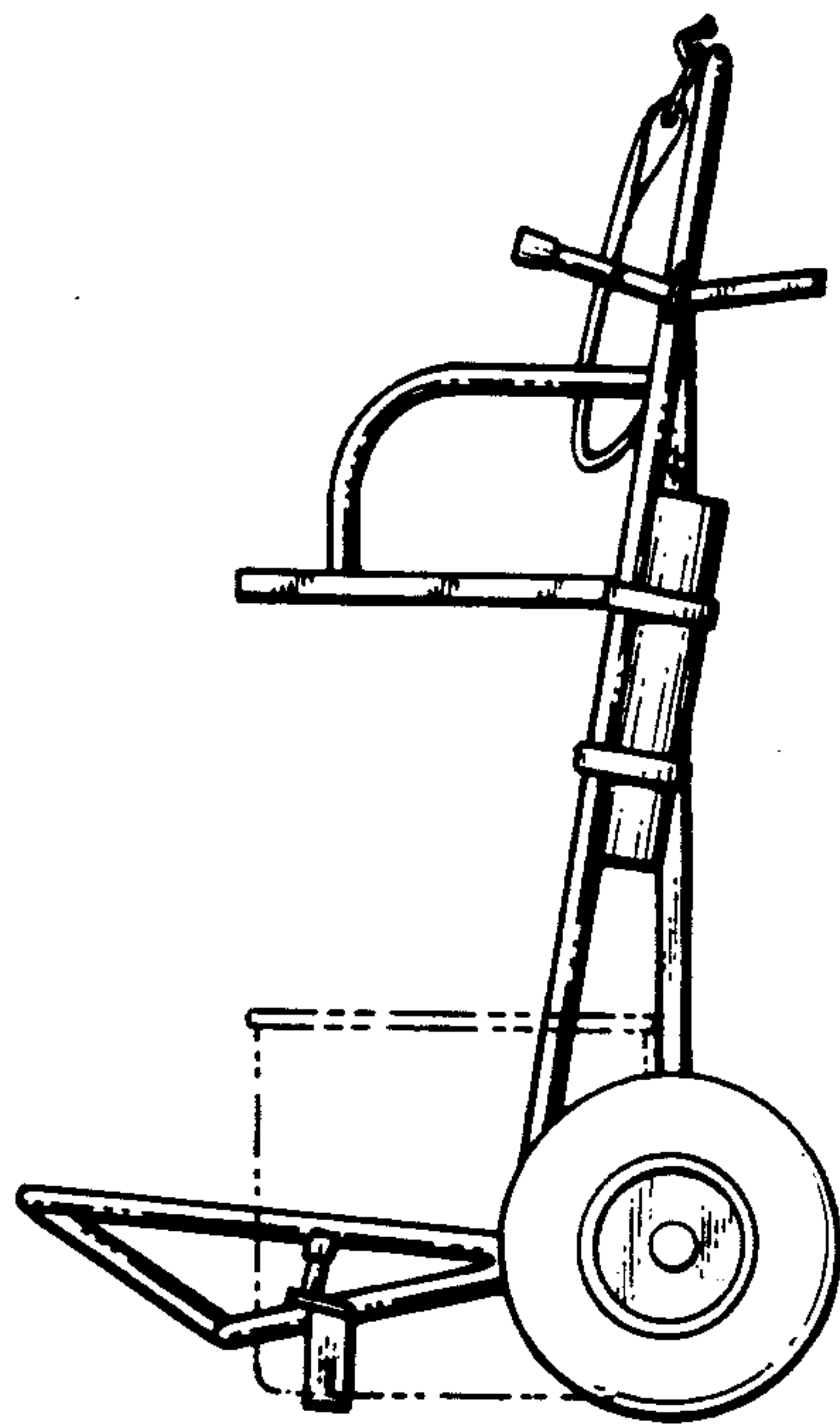


FIG. 2

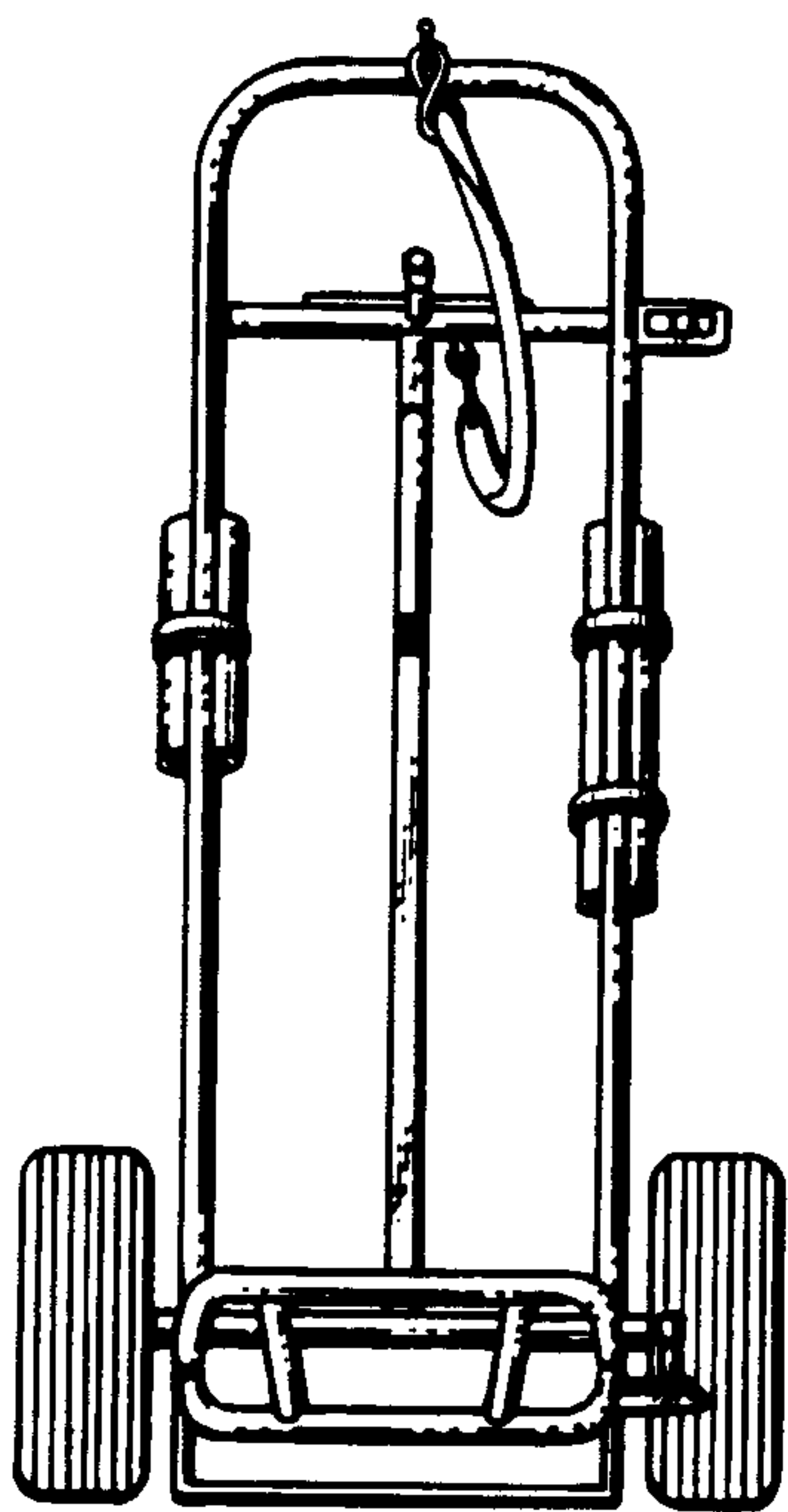


FIG. 3

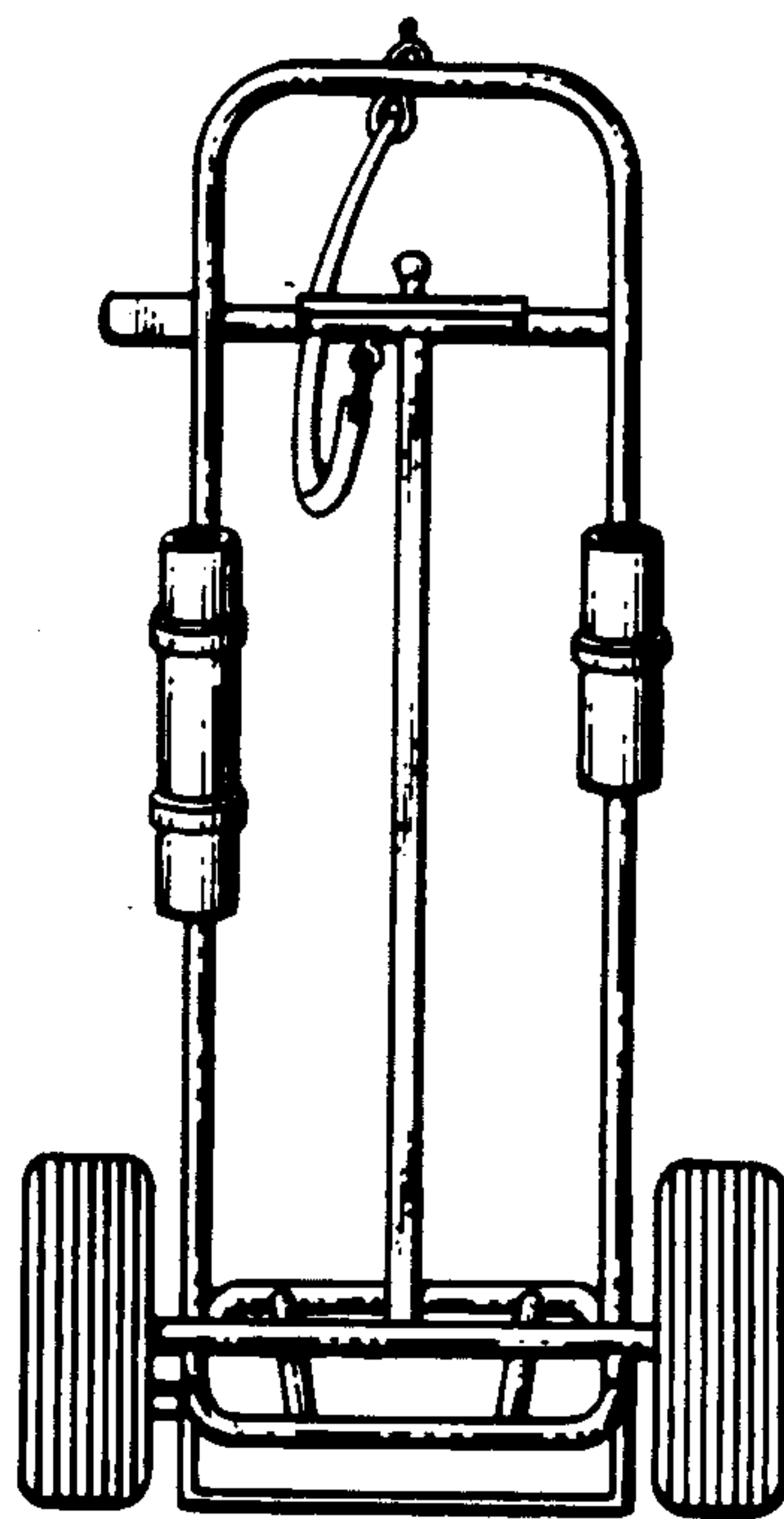


FIG. 4

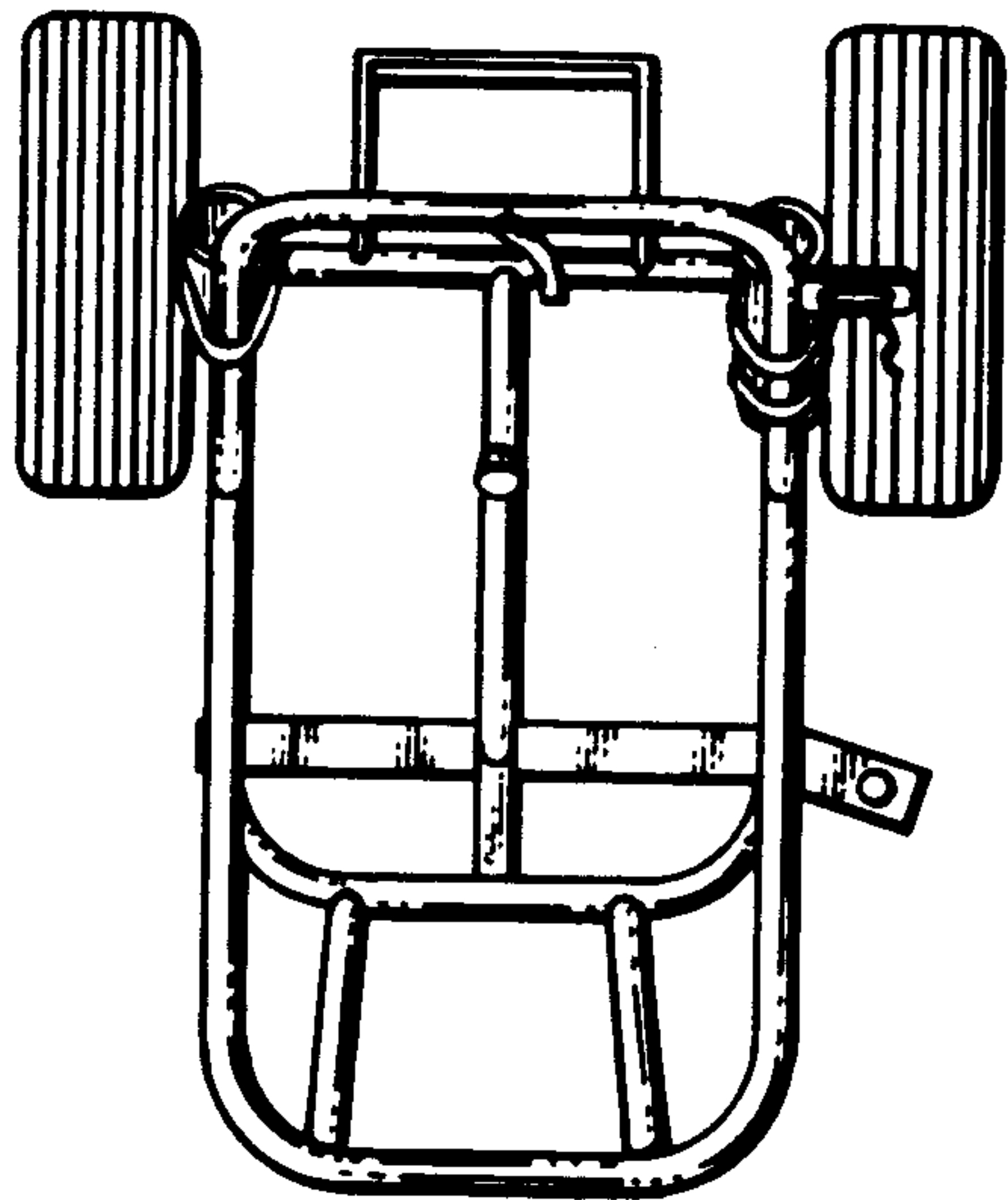


FIG. 5

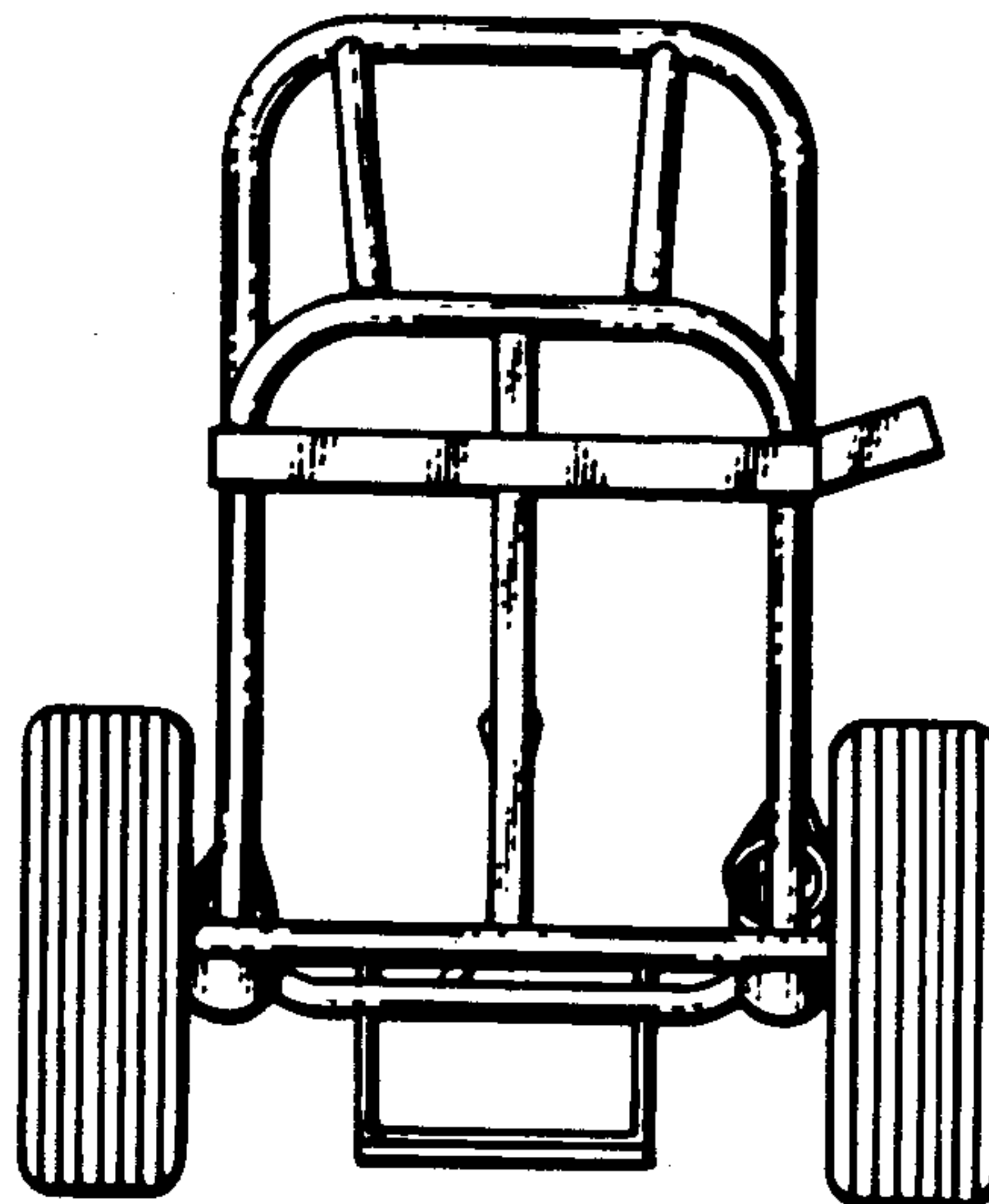


FIG. 6