

[54] **ARTICULATABLE PARKING SPACE BARRIER**

[76] Inventor: **Dennis L. Welbourne**, 3019 W. Rancho Dr., Phoenix, Ariz. 85017

[**] Term: **14 Years**

[21] Appl. No.: **885,694**

[22] Filed: **Mar. 13, 1978**

[51] Int. Cl. **D10-06**

[52] U.S. Cl. **D10/109**

[58] Field of Search D10/109, 111, 114; D96/12 A; 116/28 R, 63 R, 63 P, 132 R; 40/605, 606, 607, 610, 611, 612; 52/116; 248/158, 291; 404/6, 9, 10; 256/13.1, DIG. 5

[56] **References Cited**

U.S. PATENT DOCUMENTS

3,235,214	2/1966	Sprung	40/606 X
3,332,666	7/1967	Gray	256/13.1
3,680,448	8/1972	Ballingall	52/116 X

FOREIGN PATENT DOCUMENTS

2339851 8/1973 Fed. Rep. of Germany 52/116

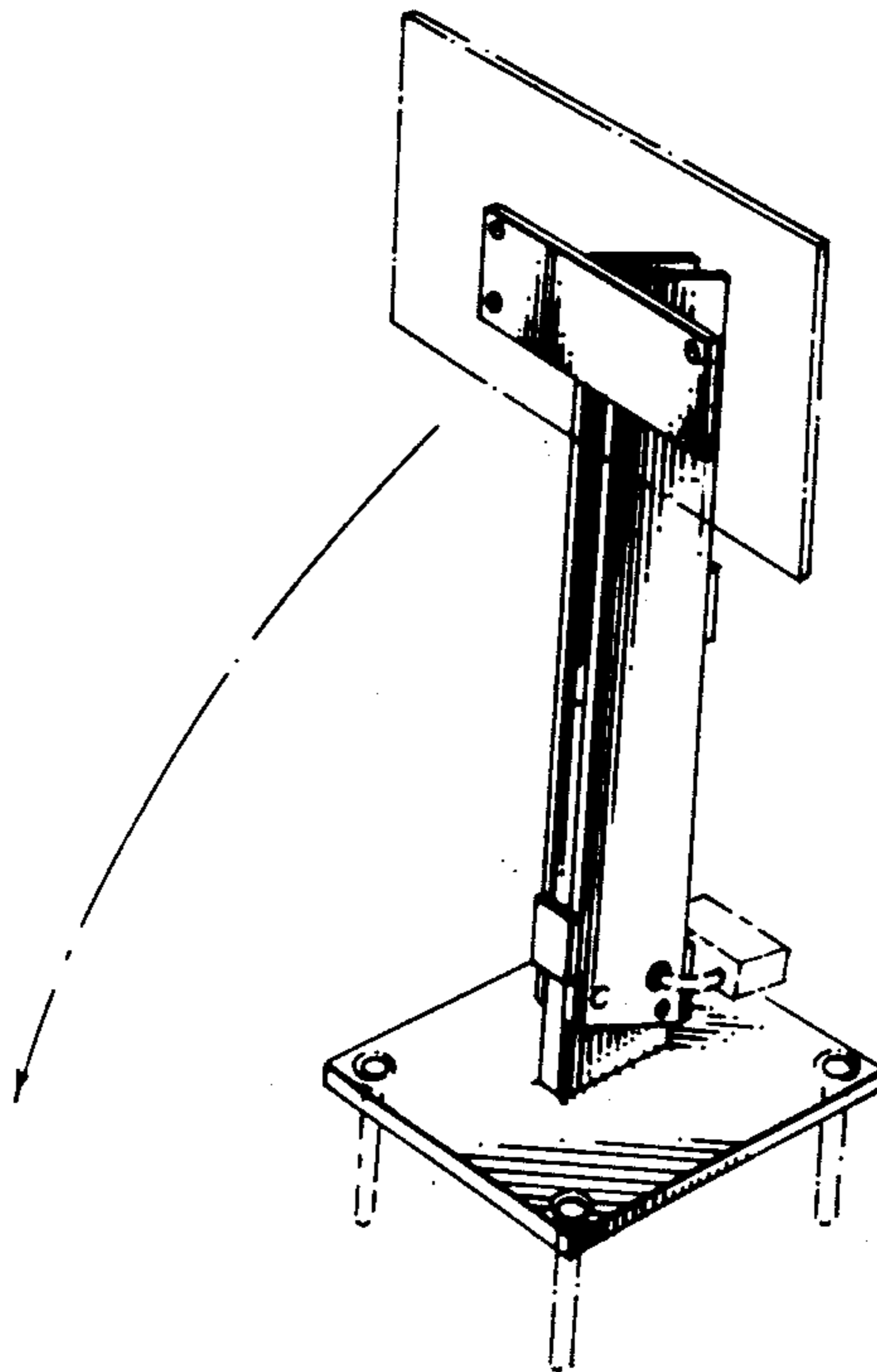
Primary Examiner—Susan J. Lucas
Attorney, Agent, or Firm—C. Robert Von Hellens

[57] **CLAIM**

The ornamental design for an articulatable parking space barrier, as shown and described.

DESCRIPTION

FIG. 1 is a perspective view of an articulatable parking space barrier showing my new design, the padlock being shown in broken lines for illustrative purposes only;
FIG. 2 is a top view thereof;
FIG. 3 is a bottom view thereof;
FIG. 4 is a front view thereof;
FIG. 5 is a right side view thereof;
FIG. 6 is a rear view thereof;
FIG. 7 is a left side view thereof;
FIG. 8 is a perspective view showing the articulatable parking space barrier in the down position; and
FIG. 9 is an elevational view of the barrier in the down position on an enlarged scale.



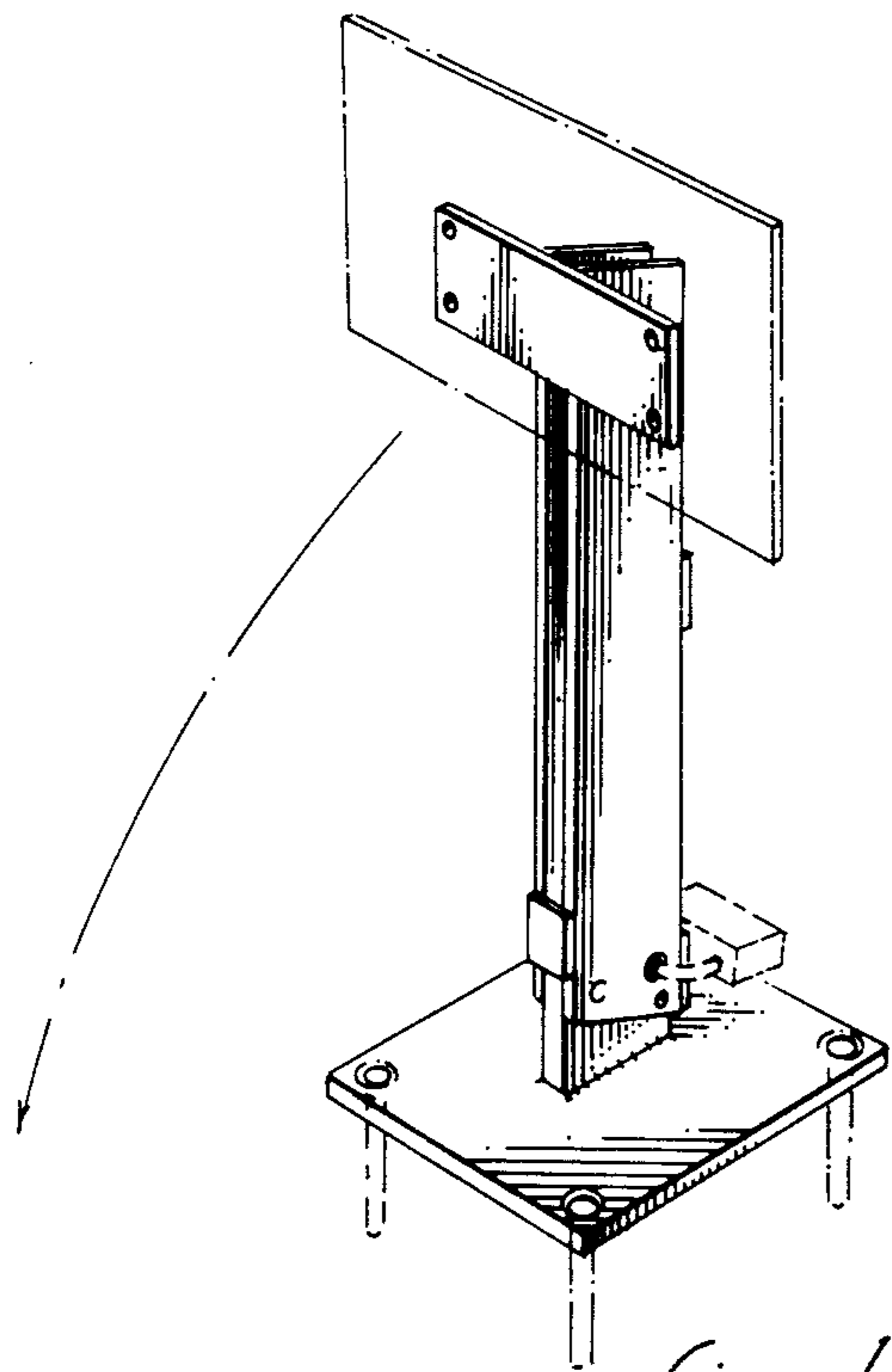


fig. 1

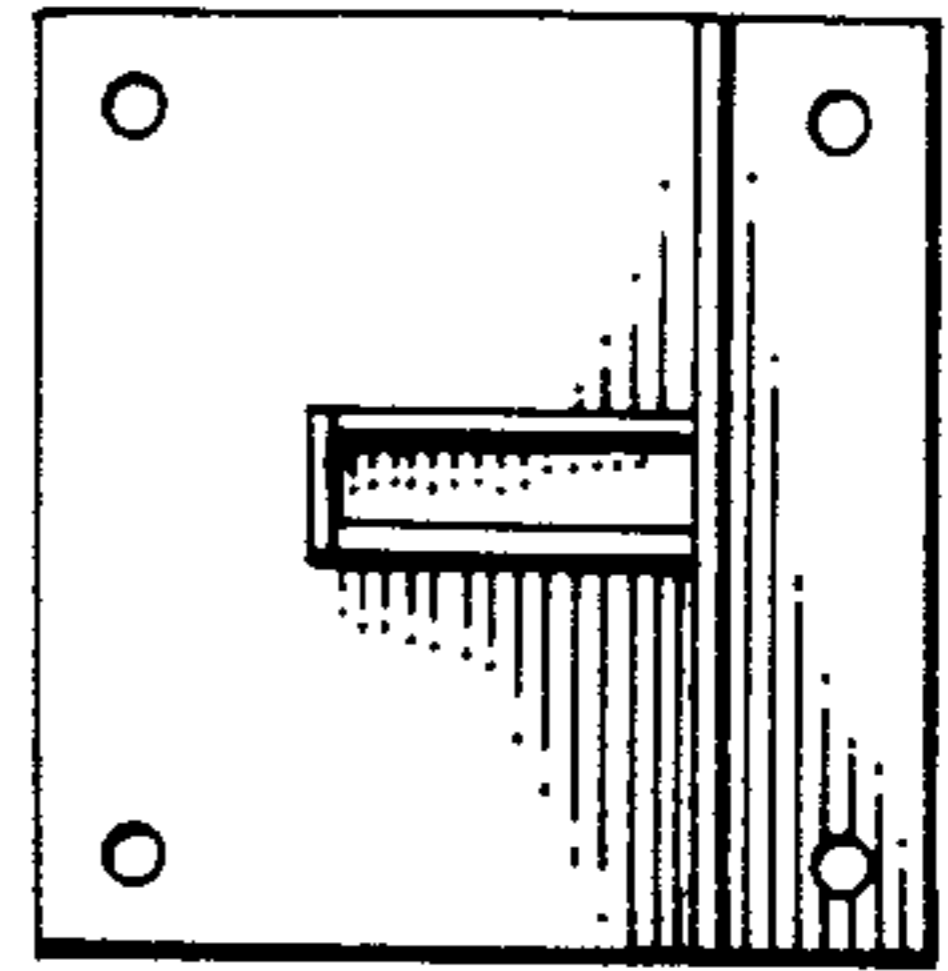


fig. 2

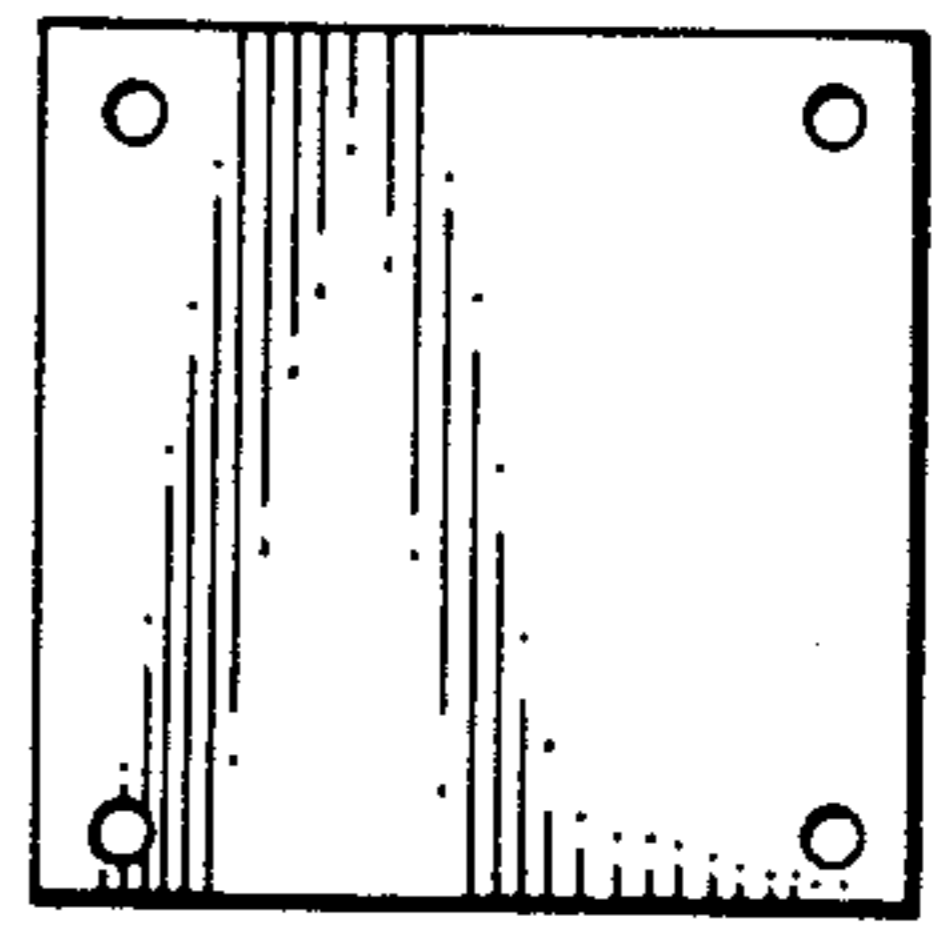


fig. 3

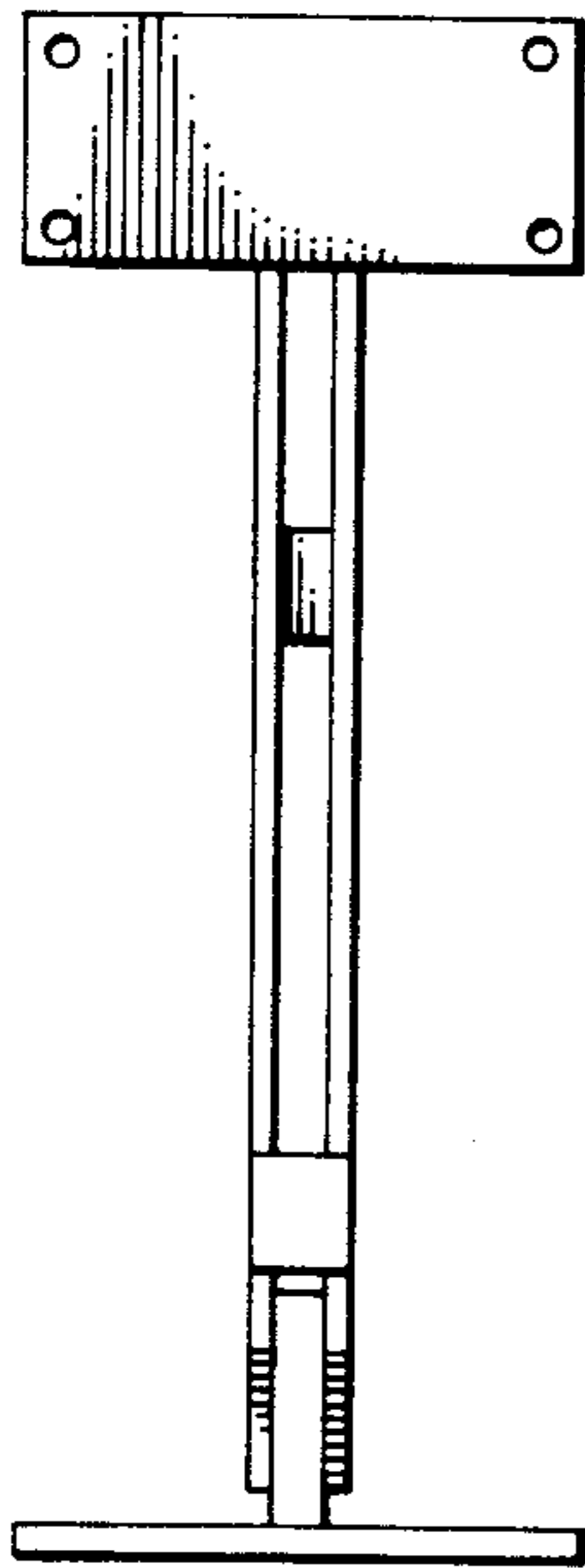


fig. 4

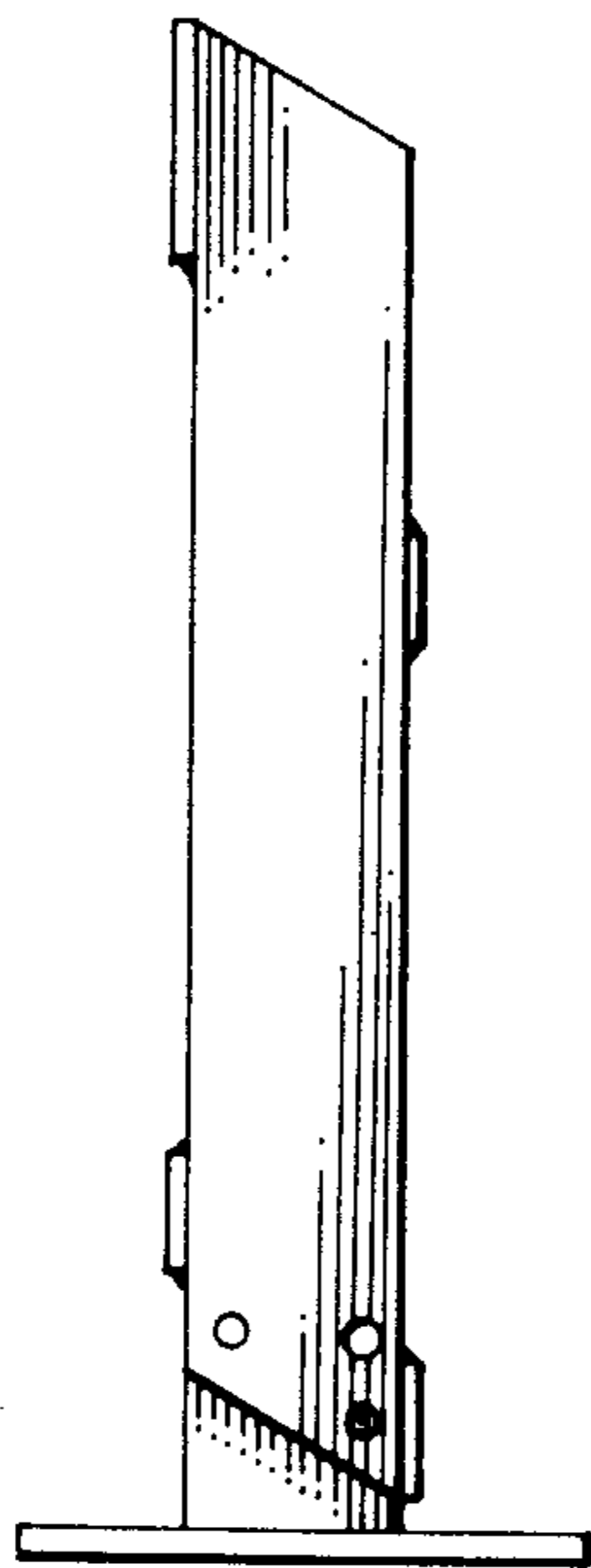


fig. 5

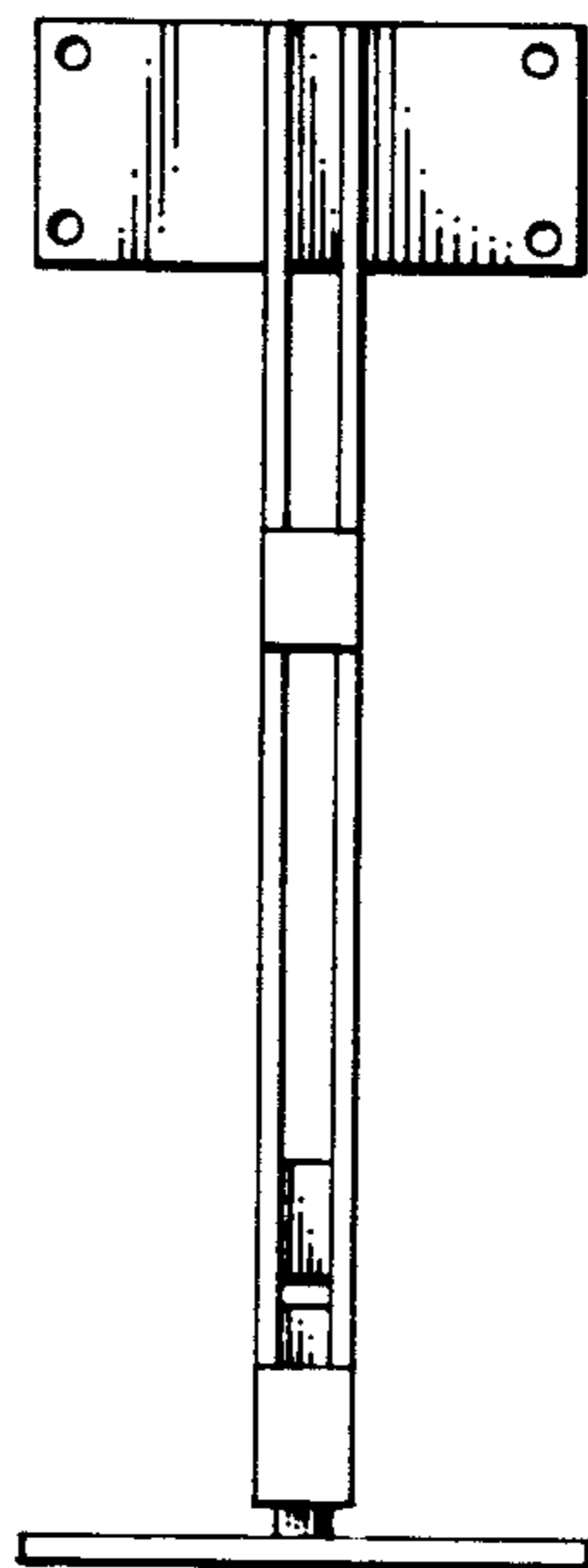


fig. 6

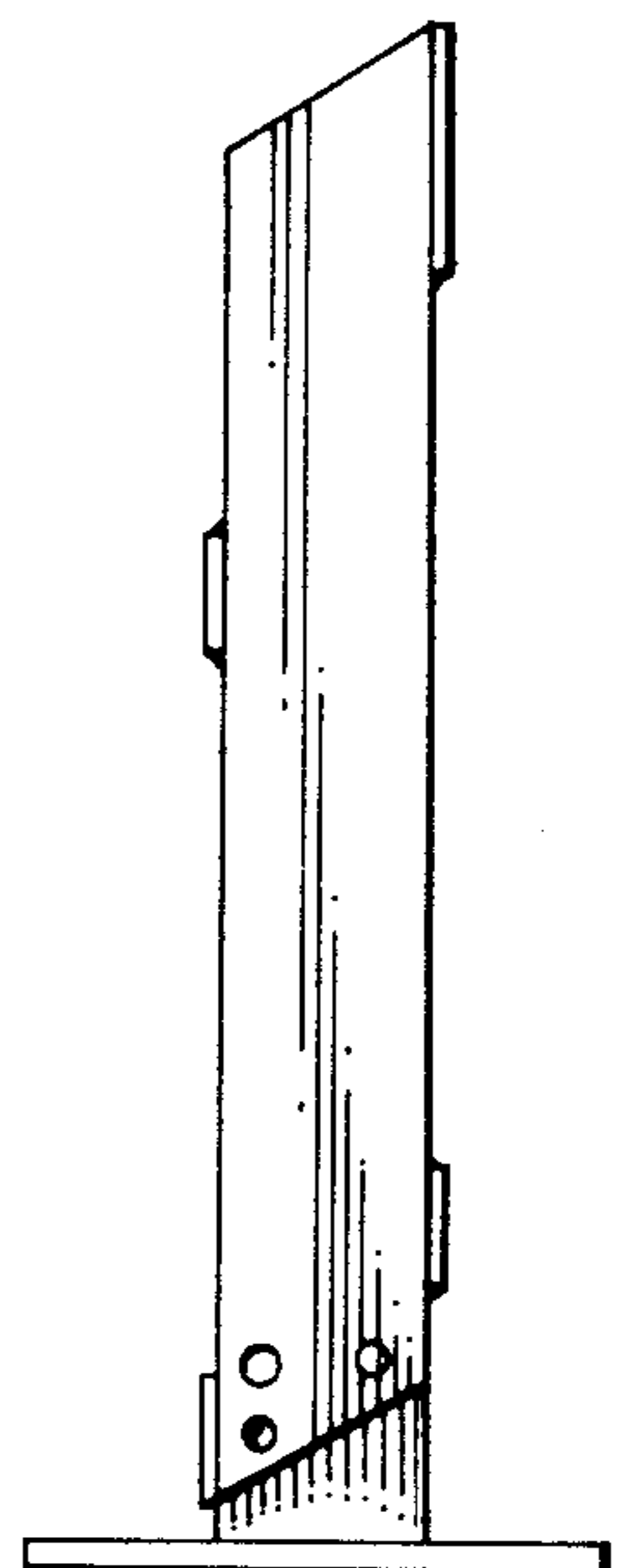


fig. 7

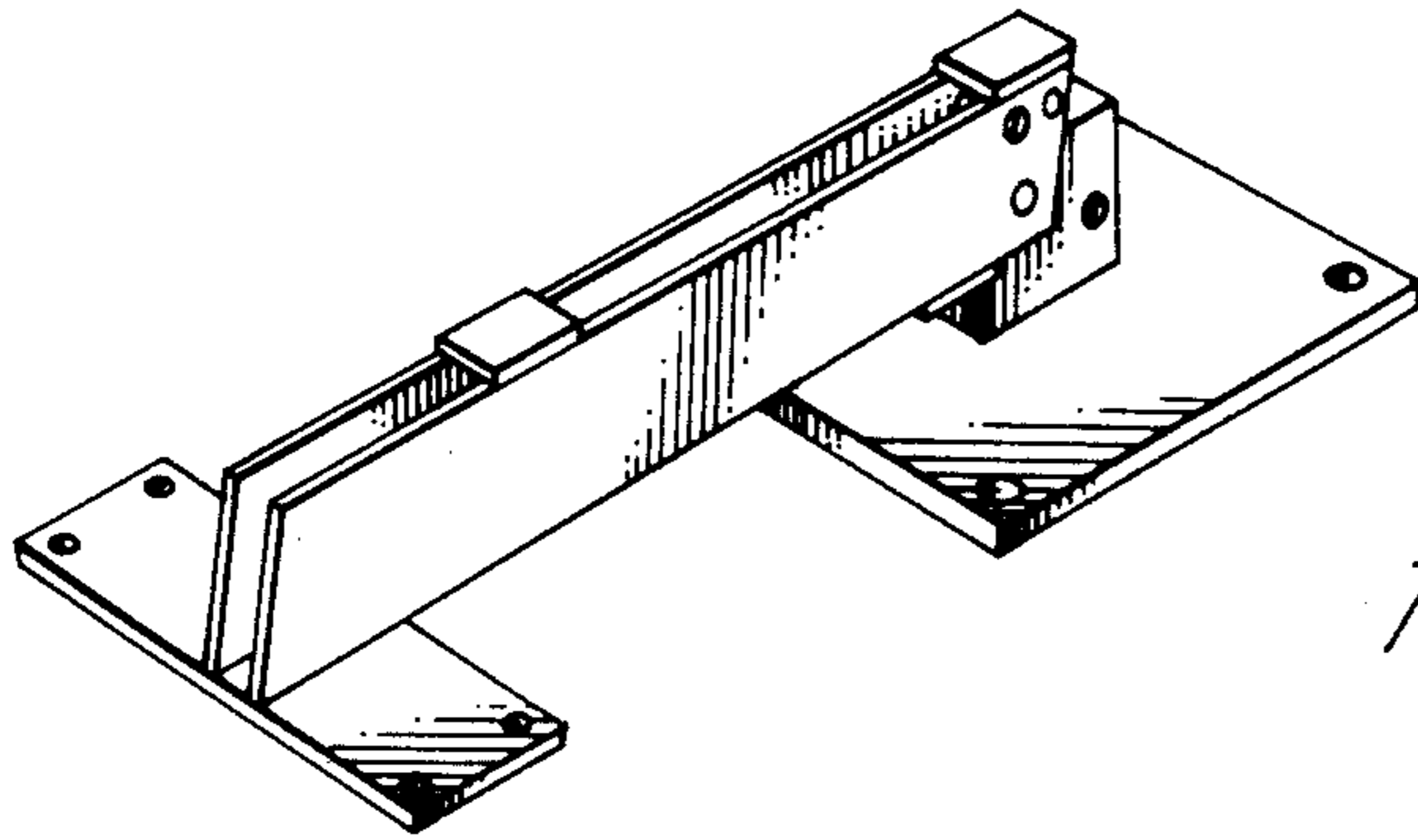


fig. 8

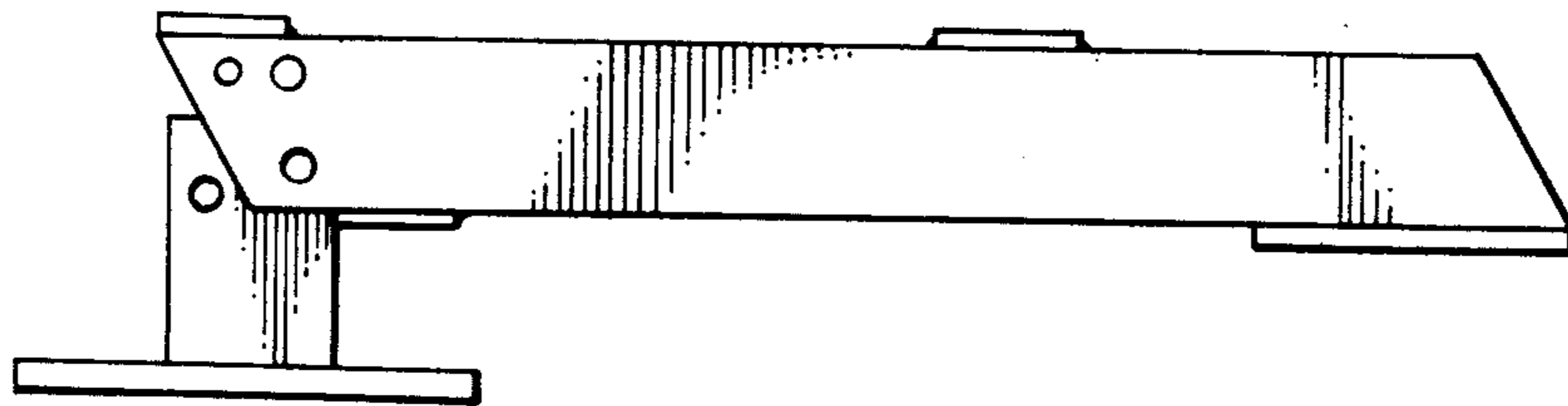


fig. 9