

[54] CUP HOLDER

[76] Inventor: James O. Sage, 2112 Strand, Manhattan Beach, Calif. 90266

[**] Term: 14 Years

[21] Appl. No.: 824,990

[22] Filed: Aug. 15, 1977

[51] Int. Cl. D7-06

[52] U.S. Cl. D7/70

[58] Field of Search D6/93, 137; D7/70, 45; D8/374; 248/346.1, 311.1, 148; 215/100.5

[56] References Cited

U.S. PATENT DOCUMENTS

D. 215,748	10/1969	Wallace	D7/70
D. 236,175	8/1975	Wintz	D7/70
2,926,879	3/1960	Dietrich	248/311.1
3,028,702	4/1962	Cyr	D7/45

3,045,962	7/1962	Paulus	D7/70 X
3,107,028	10/1963	Robertis	215/100.5 X
3,312,436	4/1967	Beghetto, Jr.	D7/45 X
3,842,981	10/1974	Lambert	248/311.1 X

Primary Examiner—Winifred E. Herrmann
Attorney, Agent, or Firm—George J. Netter

[57] CLAIM

The ornamental design for a cup holder, as shown and described.

DESCRIPTION

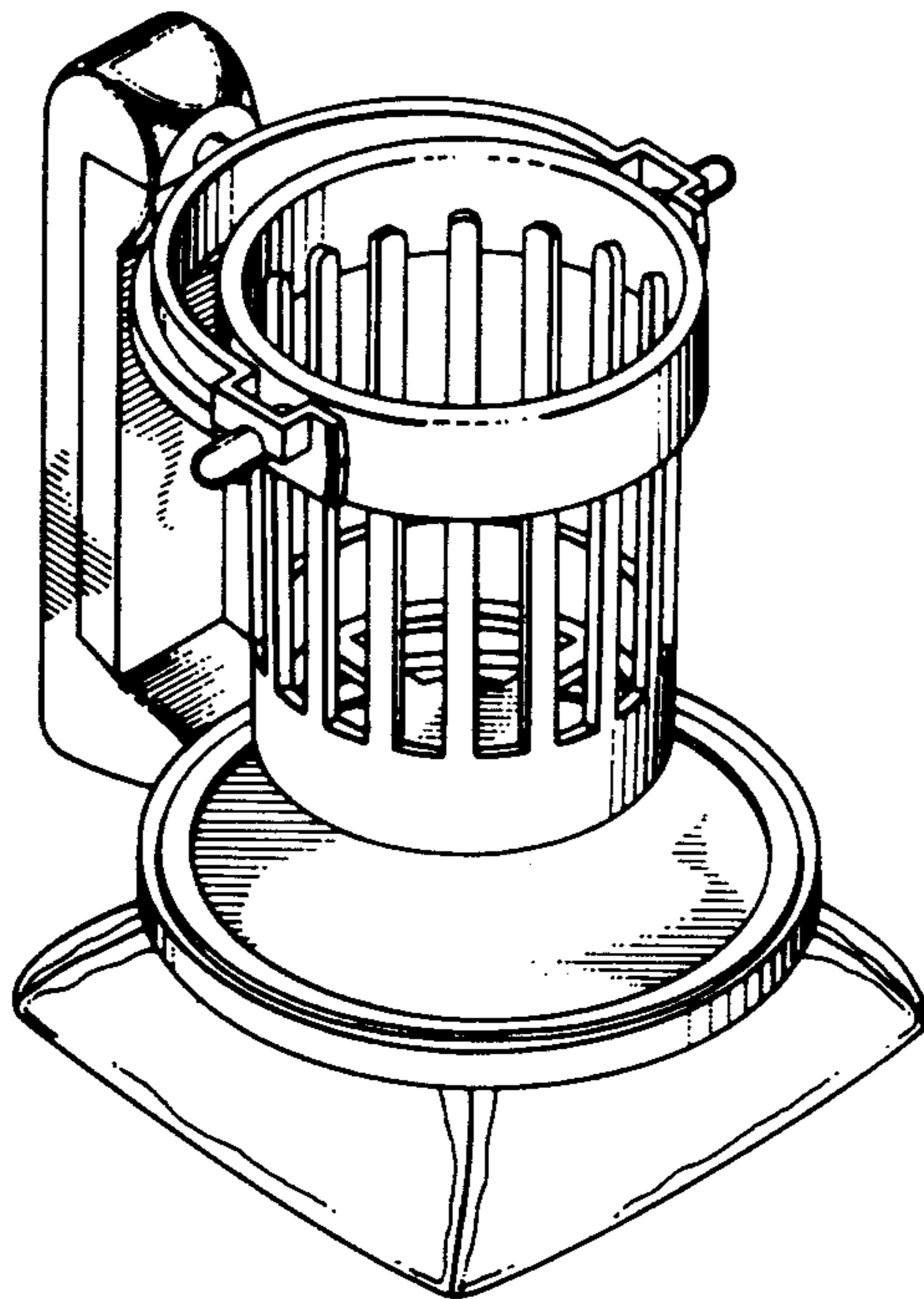
FIG. 1 is a perspective view of a cup holder, showing my new design.

FIG. 2 is a top plan view.

FIG. 3 is a side elevational view.

The side opposite FIG. 3 is identical to that shown in FIG. 3.

The right side of the handle of FIG. 3 is plane and unornamented, and the bottom plan view of the cup holder is unornamented.



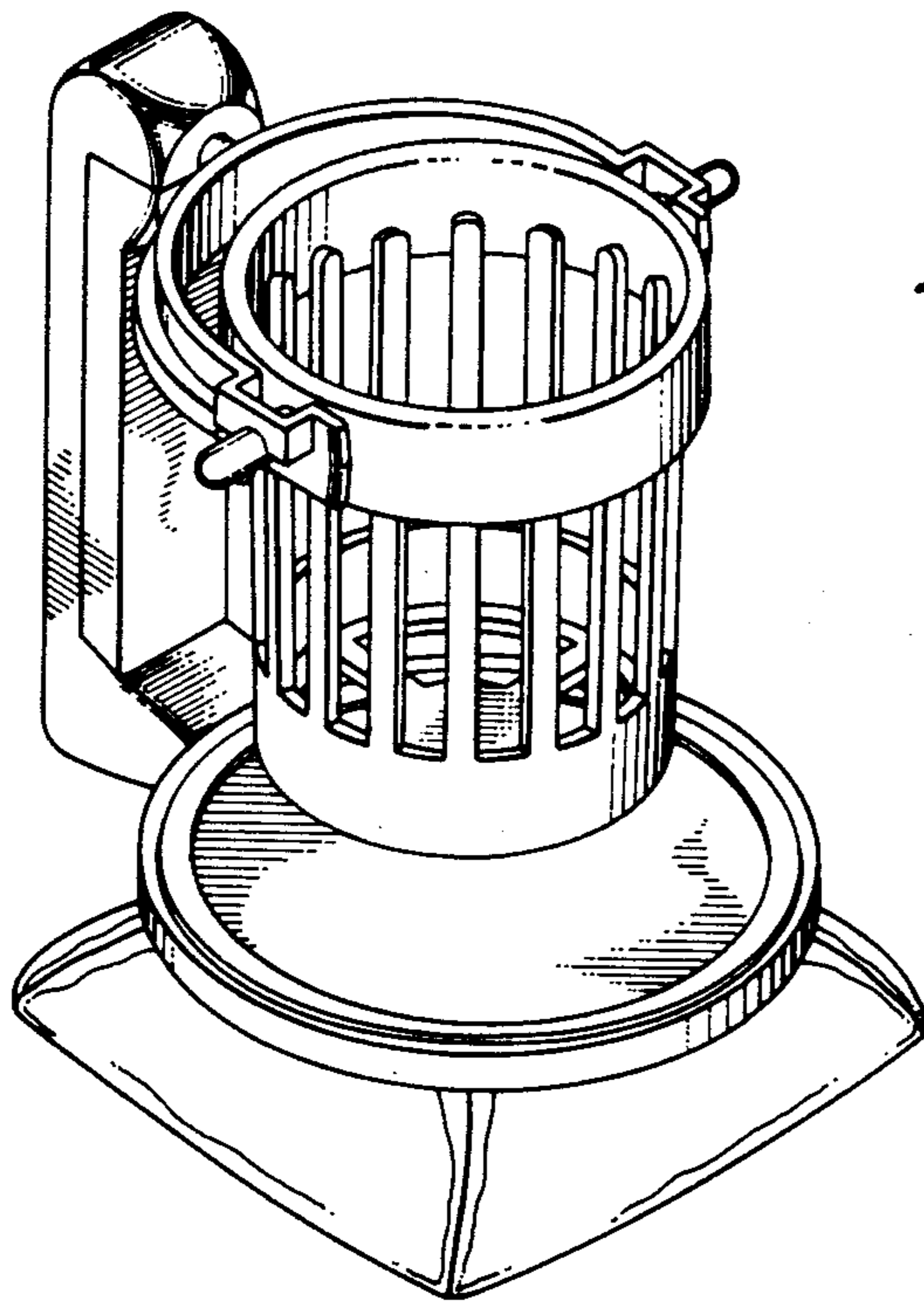


FIG. 1.

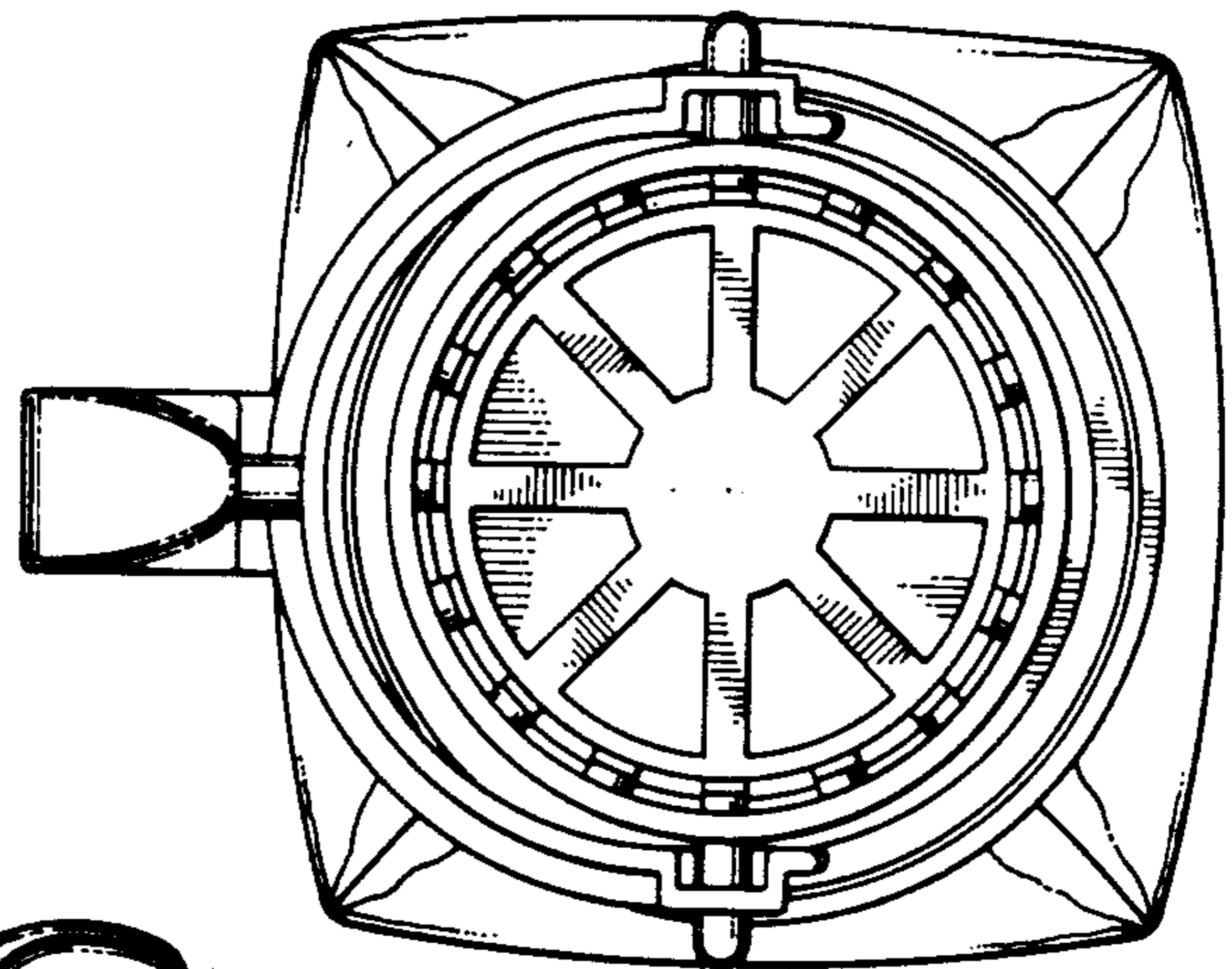


FIG. 2.

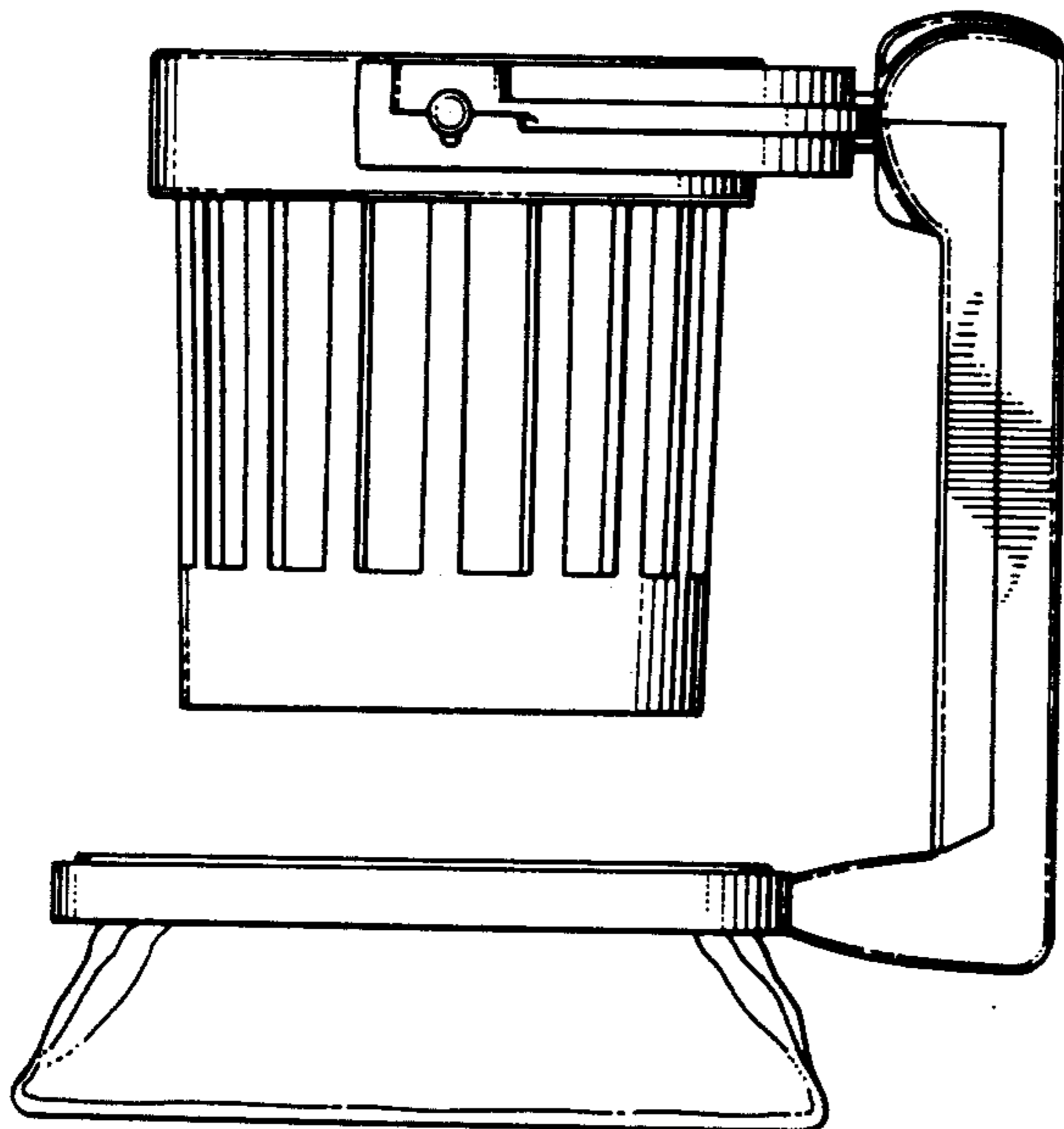


FIG. 3.