

[54] TRAY

[75] Inventor: **Gerald J. Adamson**, Toronto, Canada

[73] Assignee: **Business Accessories Inc.**,  
Cambridge, Canada

[\*\*] Term: **14 Years**

[21] Appl. No.: **821,048**

[22] Filed: **Aug. 1, 1977**

[30] **Foreign Application Priority Data**

May 3, 1977 [CA] Canada ..... 0305774

[51] Int. Cl. .... **D07-99**

[52] U.S. Cl. .... **D7/37; D19/92**

[58] Field of Search ..... **D6/138; 108/43;**  
**211/126; D9/242; D7/37, 38, 46, 70, 71;**  
**D19/92; D24/31**

[56]

**References Cited**

**U.S. PATENT DOCUMENTS**

D. 33,418	10/1900	Thompson .....	D7/46
D. 201,732	7/1965	Bunn et al. ....	D19/92
D. 212,264	9/1968	Rome et al. ....	D19/92
D. 218,352	8/1970	Hoch .....	D7/37
D. 228,606	10/1973	Blount .....	D7/37
D. 233,203	10/1974	Hughes .....	D7/37 X
3,250,422	5/1966	Parish .....	D7/38 X

*Primary Examiner*—Winifred E. Herrmann  
*Attorney, Agent, or Firm*—David M. Rogers

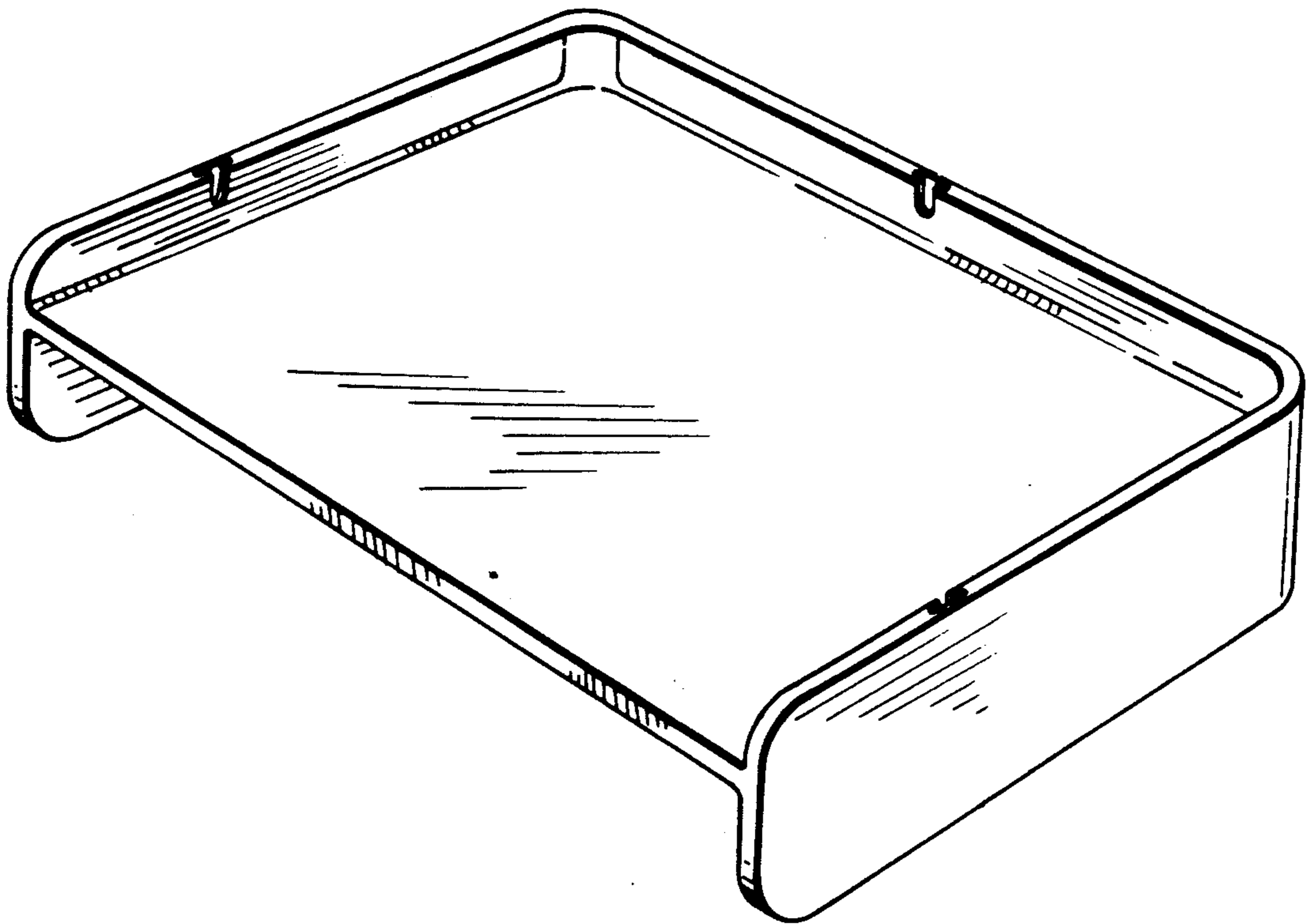
[57]

**CLAIM**

The ornamental design for a tray, as shown and described.

**DESCRIPTION**

FIG. 1 is a top front perspective view of a tray showing one side of my new design;  
FIG. 2 is a bottom rear perspective view showing the other side thereof; and  
FIG. 3 is a front elevational view thereof.



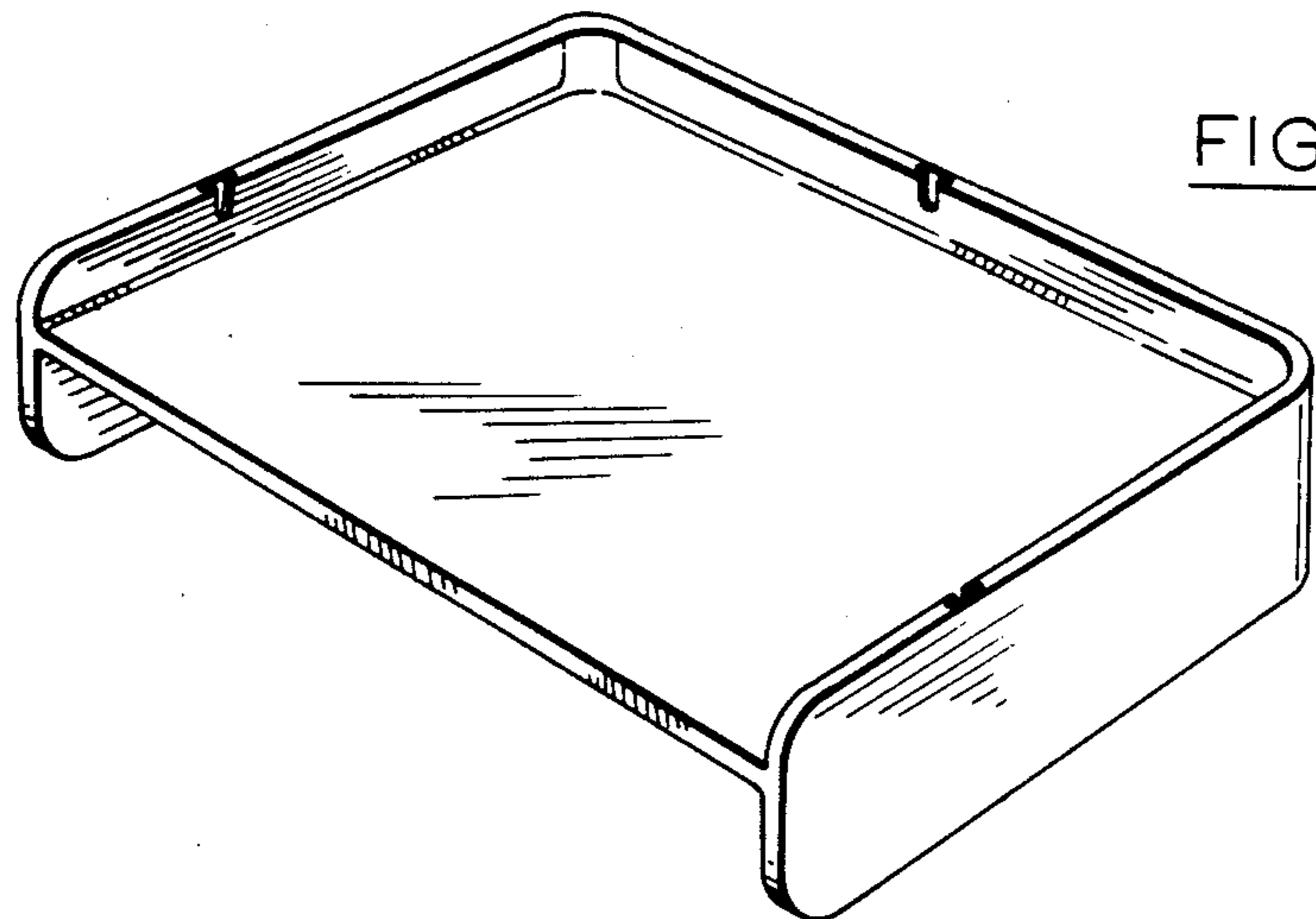


FIG. 1

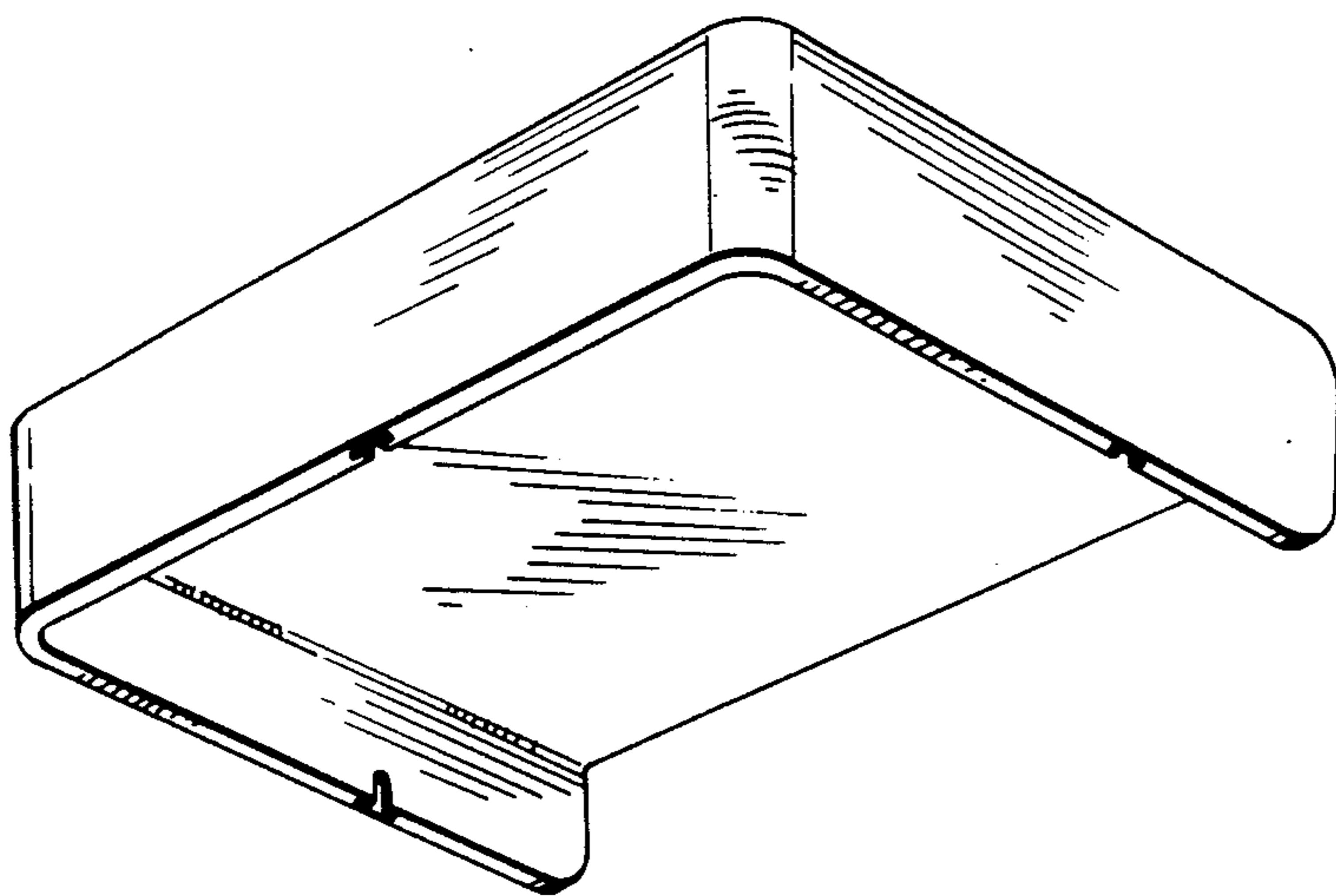


FIG. 2

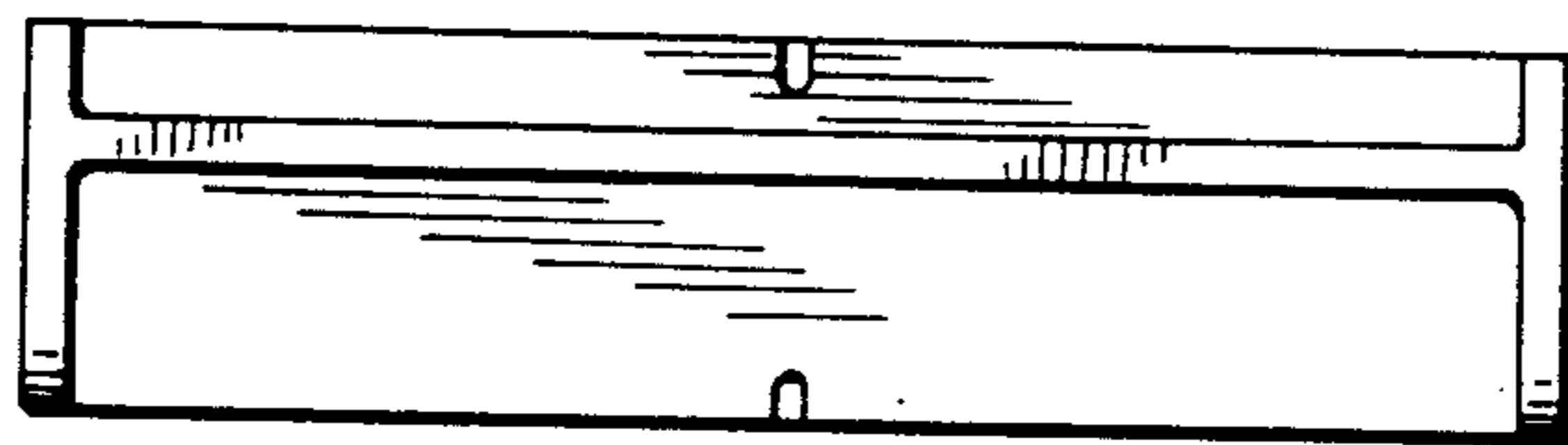


FIG. 3