

[54] SURGICAL CLIP CARTRIDGE

[75] Inventors: Robert K. Jarvik, Salt Lake City, Utah; Robert W. Mericle, Bridgewater, N.J.

[73] Assignee: Ethicon, Inc., Somerville, N.J.

[**] Term: 14 Years

[21] Appl. No.: 847,388

[22] Filed: Oct. 31, 1977

[51] Int. Cl. D24-02

[52] U.S. Cl. D24/27; 128/334 R; 227/19; 227/120

[58] Field of Search D24/26-28; D8/48-50; 128/334 R, 325; 227/19, 120

[56] References Cited

U.S. PATENT DOCUMENTS

3,604,561	9/1971	Mallina et al.	227/19
3,638,847	2/1972	Noiles et al.	227/120
4,086,926	5/1978	Green et al.	128/334 R
4,109,844	8/1978	Becht	227/120

Primary Examiner—Bernard Ansher
Attorney, Agent, or Firm—Wayne R. Eberhardt

[57] CLAIM

The ornamental design for a surgical clip cartridge, as shown and described.

DESCRIPTION

FIG. 1 is a side elevational view of a surgical clip cartridge showing our new design.

FIG. 2 is a top plan view.

FIG. 3 is a bottom plan view.

FIG. 4 is a front end view.

FIG. 5 is a back end view.

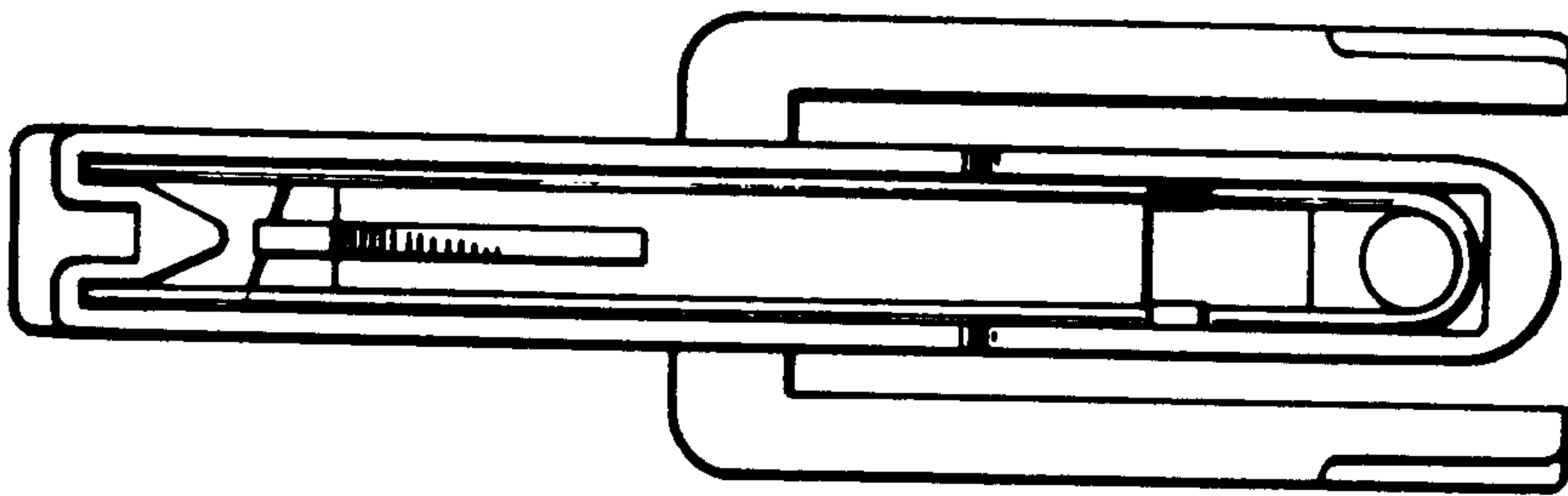
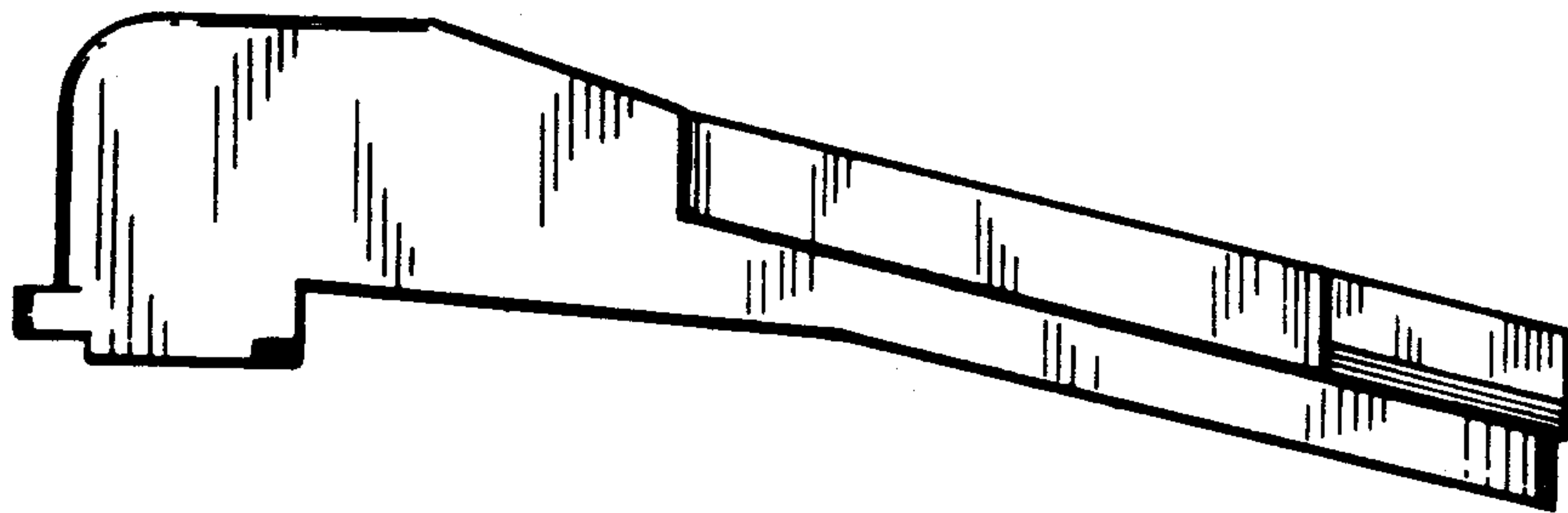


Fig. 1.

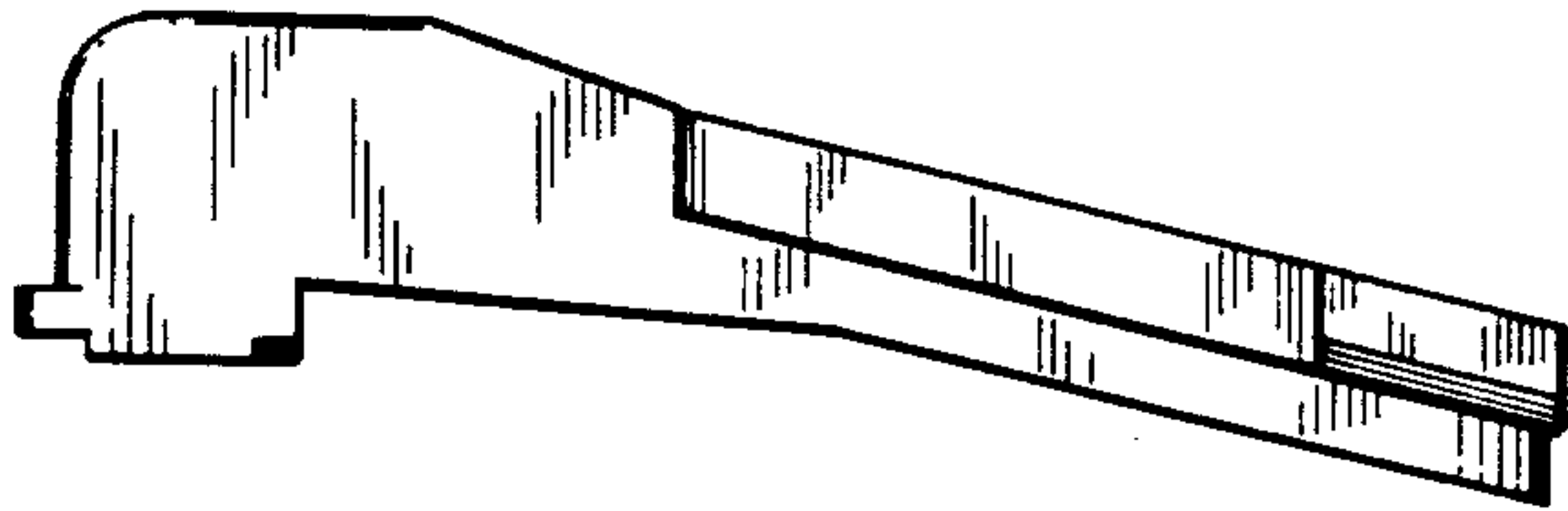


Fig. 2.

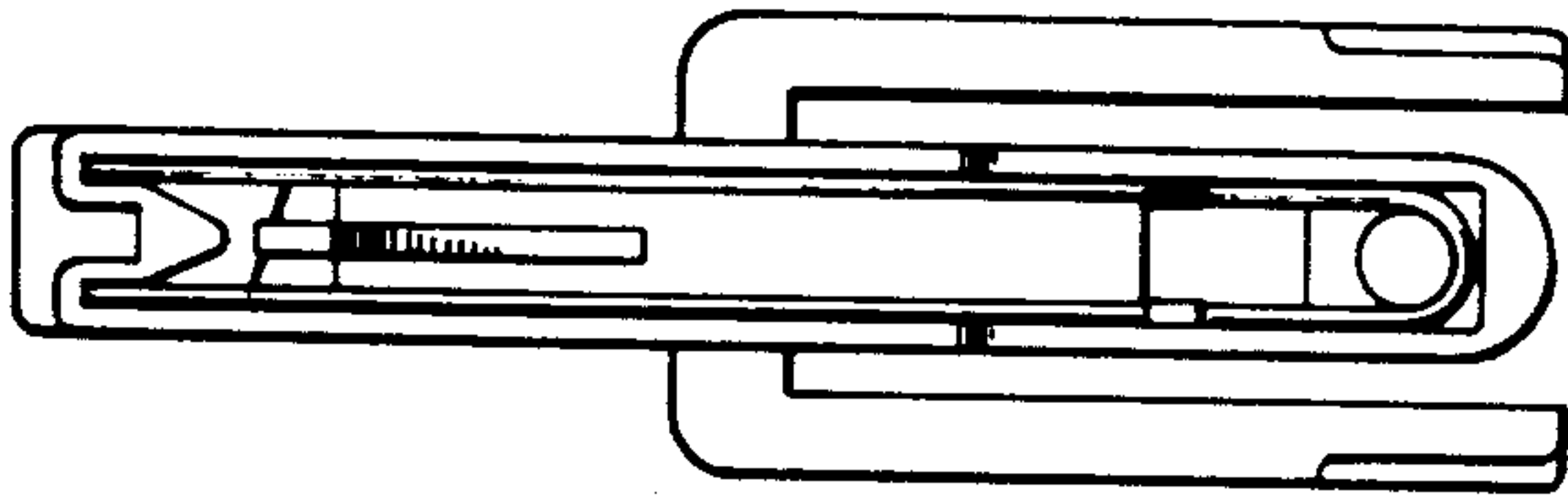


Fig. 3.

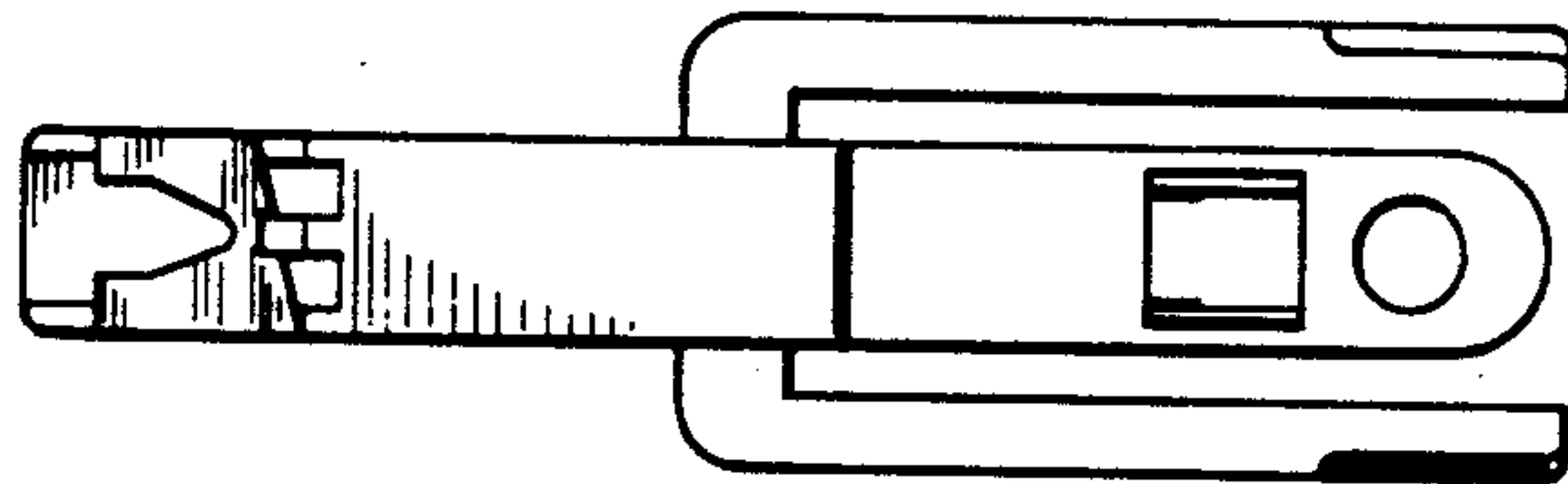


Fig. 4.

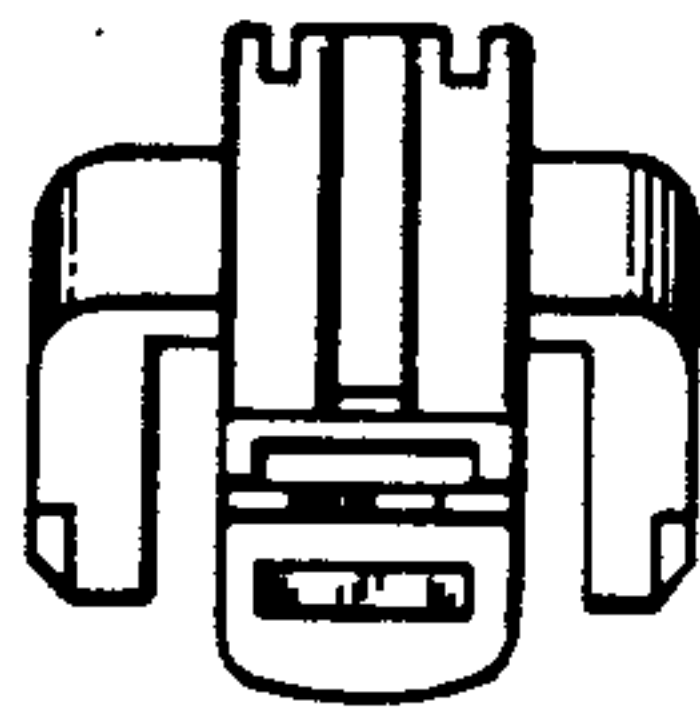


Fig. 5.

