

[54] SURGICAL CLIP APPLIER

[75] Inventors: Robert K. Jarvik, Salt Lake City, Utah; Stephen J. Jewusiak, Denville, N.J.

[73] Assignee: Ethicon, Inc., Somerville, N.J.

[**] Term: 14 Years

[21] Appl. No.: 847,384

[22] Filed: Oct. 31, 1977

[51] Int. Cl. D24-02

[52] U.S. Cl. D24/26; 128/334 R; 227/19; 227/120

[58] Field of Search D24/26-28; D8/48-50; 128/334 R, 325; 227/19, 120

[56] References Cited

U.S. PATENT DOCUMENTS

D. 133,827	9/1942	Karle	D24/28
3,082,426	3/1963	Miles	128/334 R
3,519,187	7/1970	Kapitanov et al.	227/19
3,604,561	9/1971	Mallina et al.	227/120
4,109,844	8/1978	Becht	227/120

Primary Examiner—Bernard Ansher
Attorney, Agent, or Firm—Wayne R. Eberhardt

[57] CLAIM

The ornamental design for a surgical clip applier, as shown and described.

DESCRIPTION

FIG. 1 is a perspective view of a surgical clip applier showing our new design;
FIG. 2 is a top plan view;
FIG. 3 is a left side elevational view;
FIG. 4 is a bottom plan view;
FIG. 5 is a right side elevational view;
FIG. 6 is a front elevational view; and
FIG. 7 is a rear elevational view.

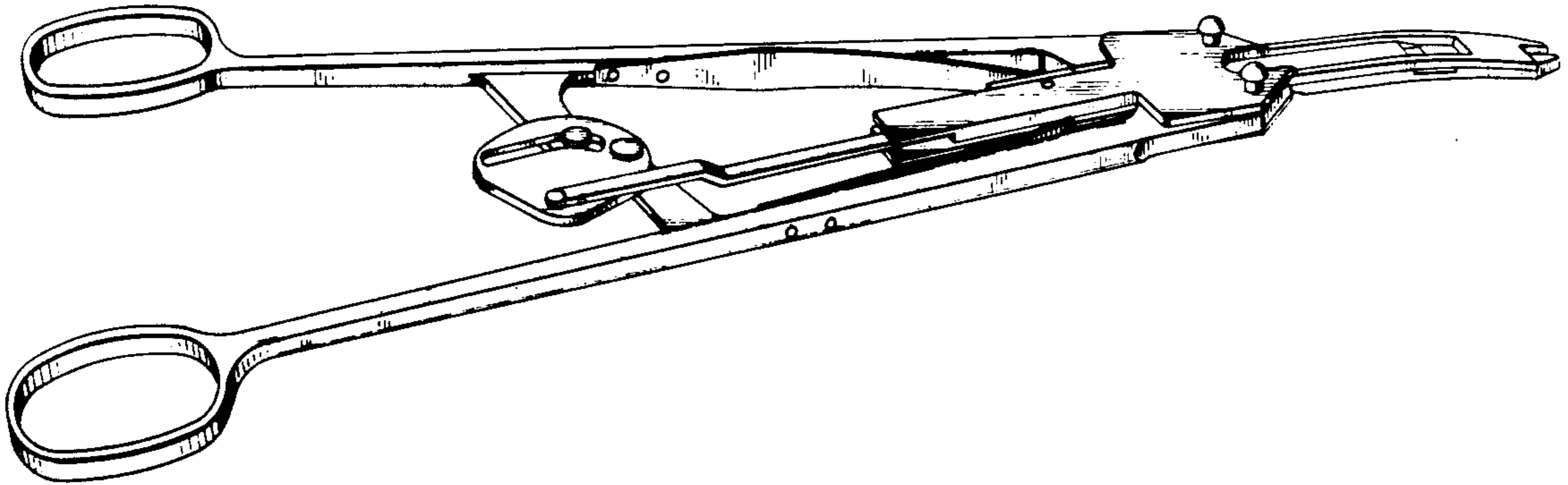


Fig. 1.

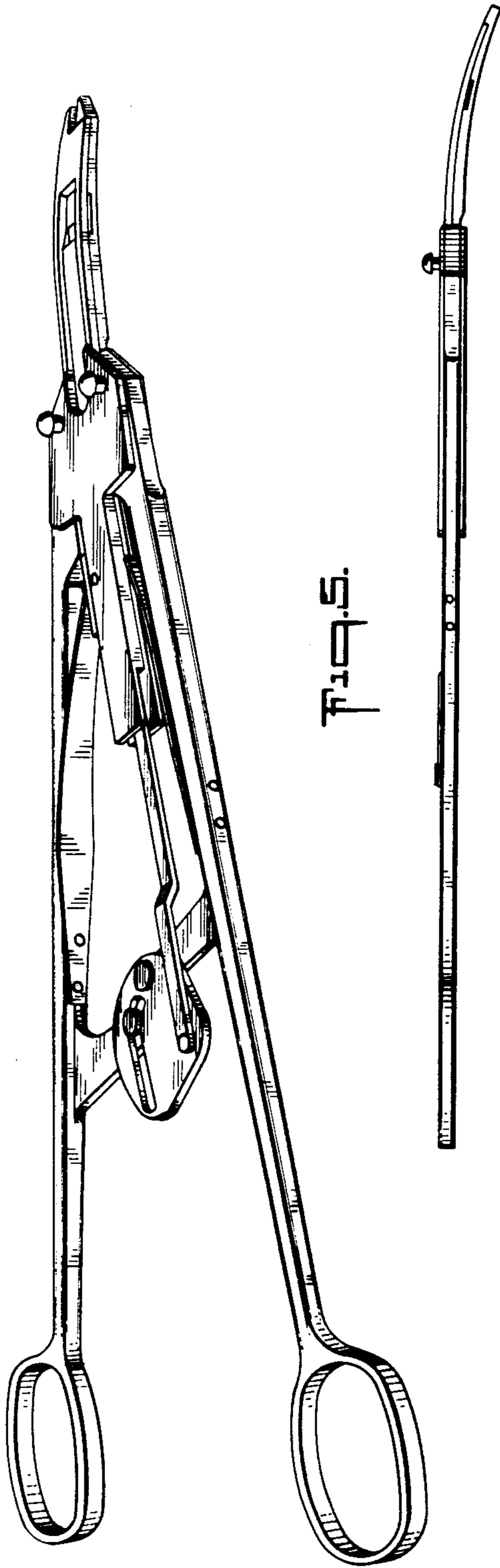


Fig. 5.

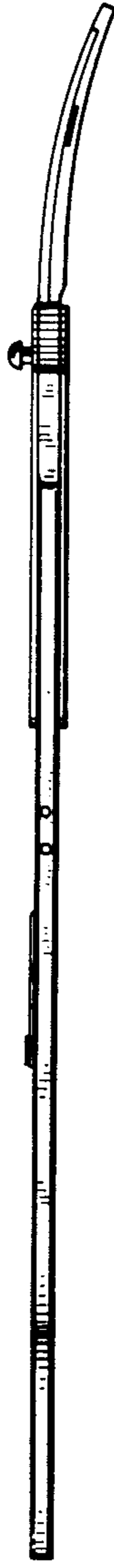


Fig. 7.



Fig. 6.

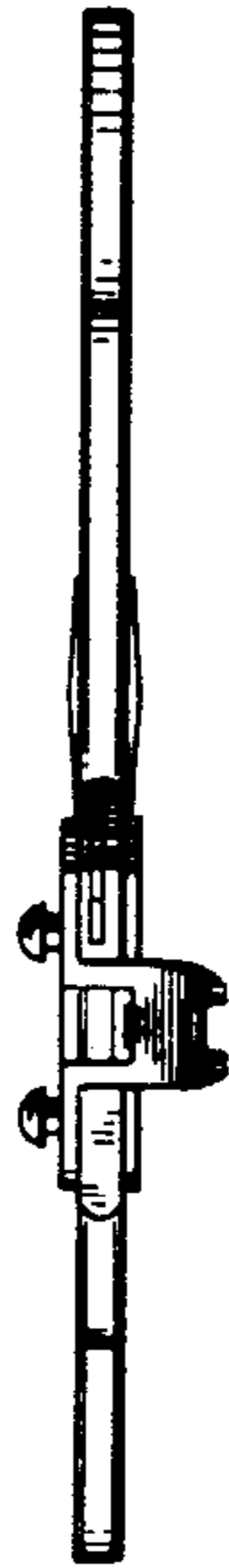


Fig. 2.

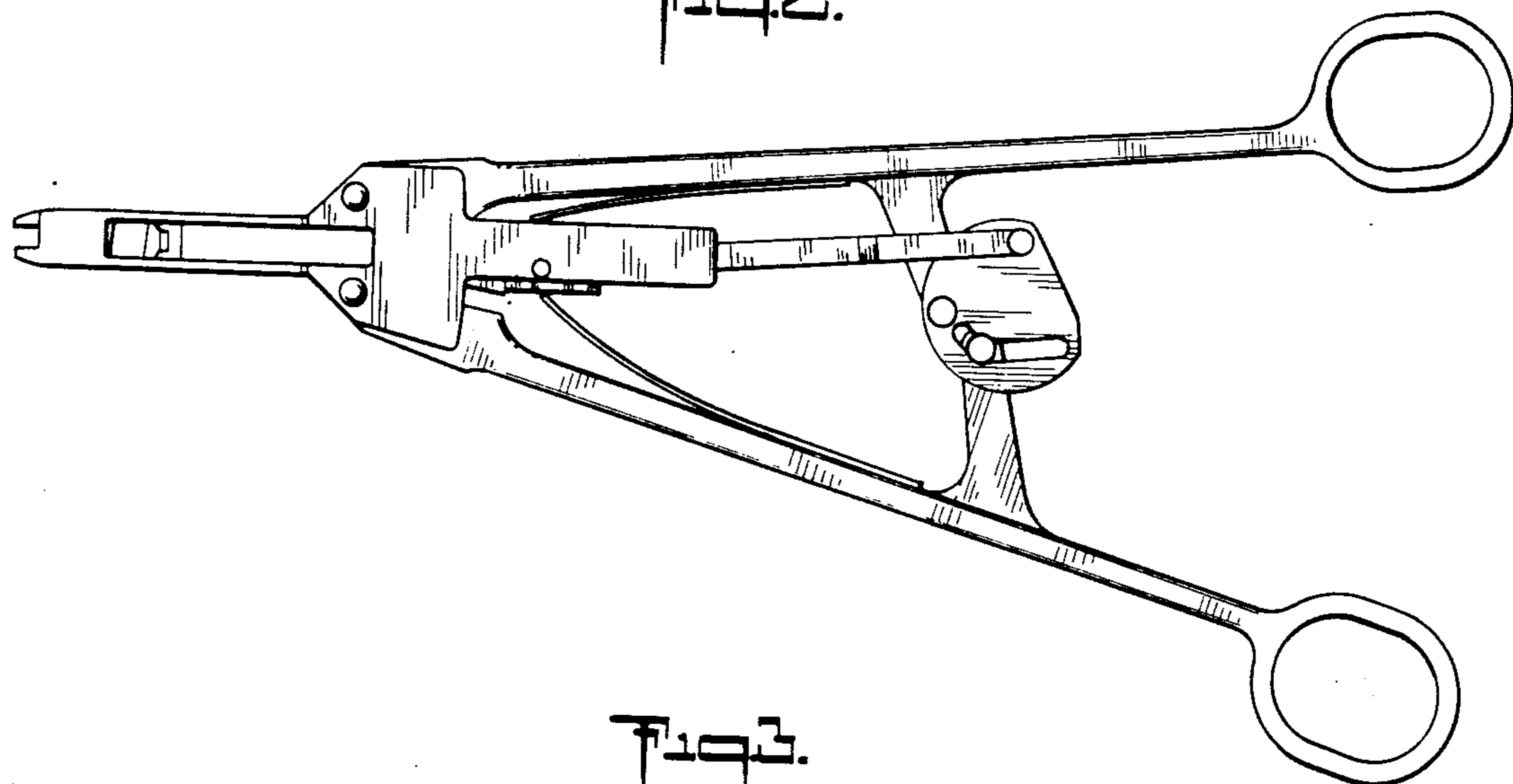


Fig. 3.

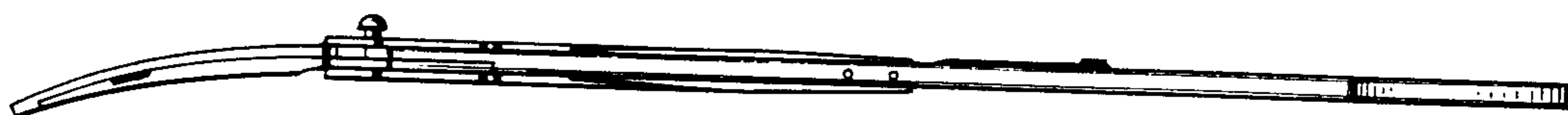


Fig. 4.

