

[54] PORTABLE DEFIBRILLATOR OR THE LIKE

[75] Inventors: David B. Smith, Mercer Island; Paul W. Jones, Bothell; John M. Moore, Redmond; William C. Bruton, Seattle, all of Wash.

[73] Assignee: Physio-Control Corporation, Redmond, Wash.

[**] Term: 14 Years

[21] Appl. No.: 942,748

[22] Filed: Sep. 11, 1978

[51] Int. Cl. D24-01; D24-02

[52] U.S. Cl. D24/8; D24/17; D24/29; 128/419 D

[58] Field of Search D24/8, 17, 29; 128/419 D, 2.06 R, 2.06 E, 2.06 G

[56]

References Cited

U.S. PATENT DOCUMENTS

D. 244,153	4/1977	Jones	D24/29
D. 244,154	4/1977	Smith et al.	D24/8
D. 249,064	8/1978	Smith et al.	D24/17
4,096,856	6/1978	Smith et al.	128/419 D
4,097,113	6/1978	McKelvy	128/419 D

Primary Examiner—Bernard Ansher
Attorney, Agent, or Firm—Orland M. Christensen

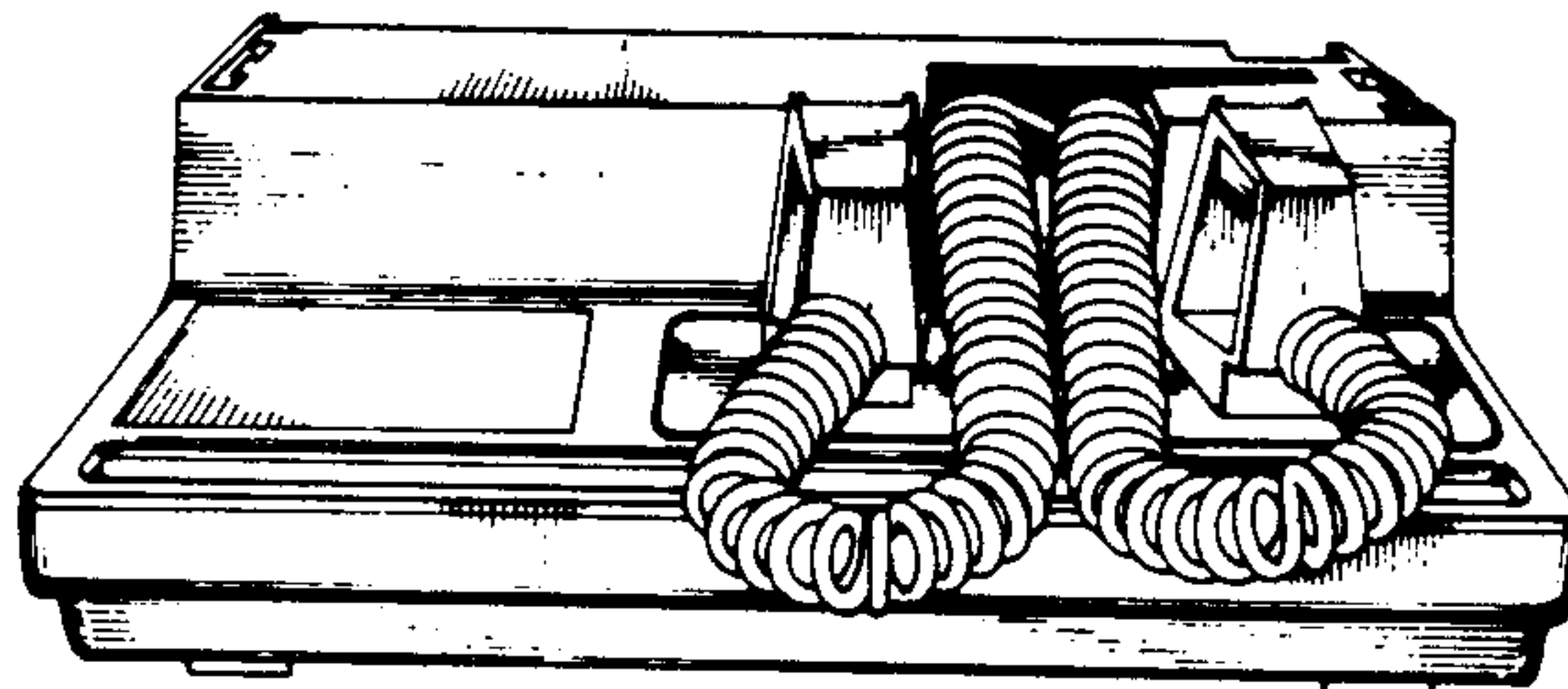
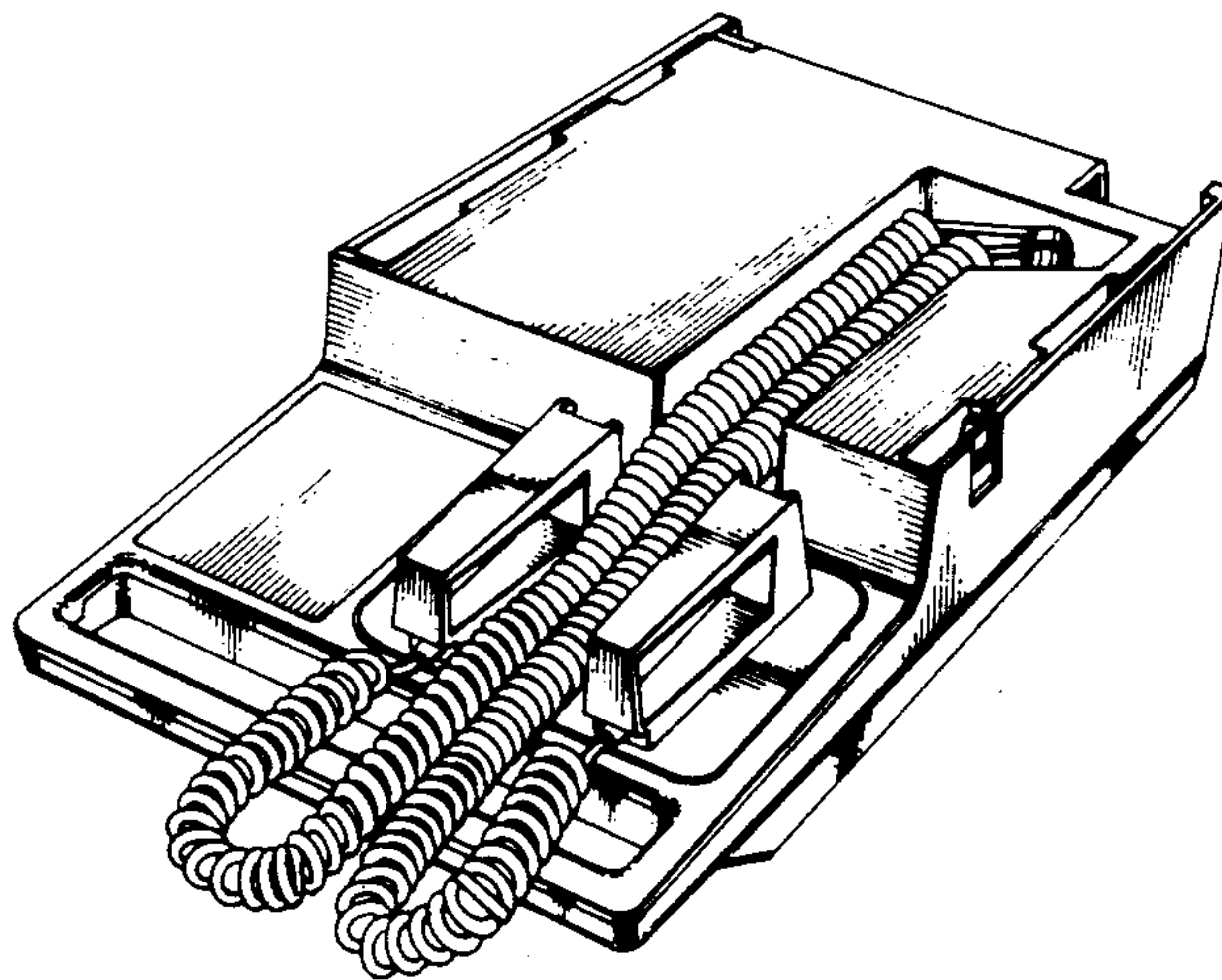
[57]

CLAIM

The ornamental design for a portable defibrillator or the like, as shown.

DESCRIPTION

FIG. 1 is a front perspective view of a portable defibrillator or the like showing our new design; FIG. 2 is a front elevational view thereof; FIG. 3 is a right side elevational view thereof; FIG. 4 is a left side elevational view thereof; FIG. 5 is a rear elevational view thereof; FIG. 6 is a bottom plan view thereof; and FIG. 7 is a top plan view thereof.



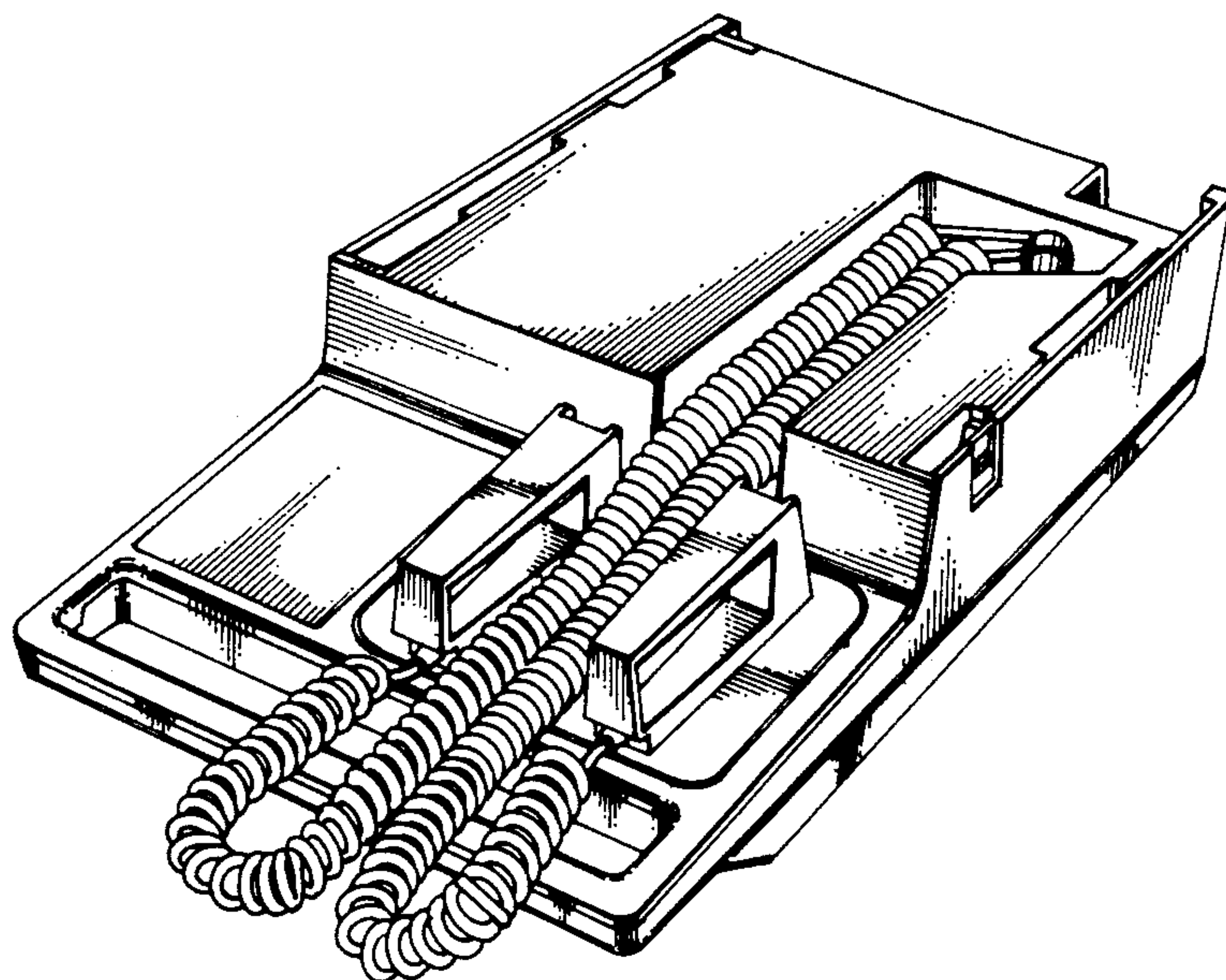


Fig. 1

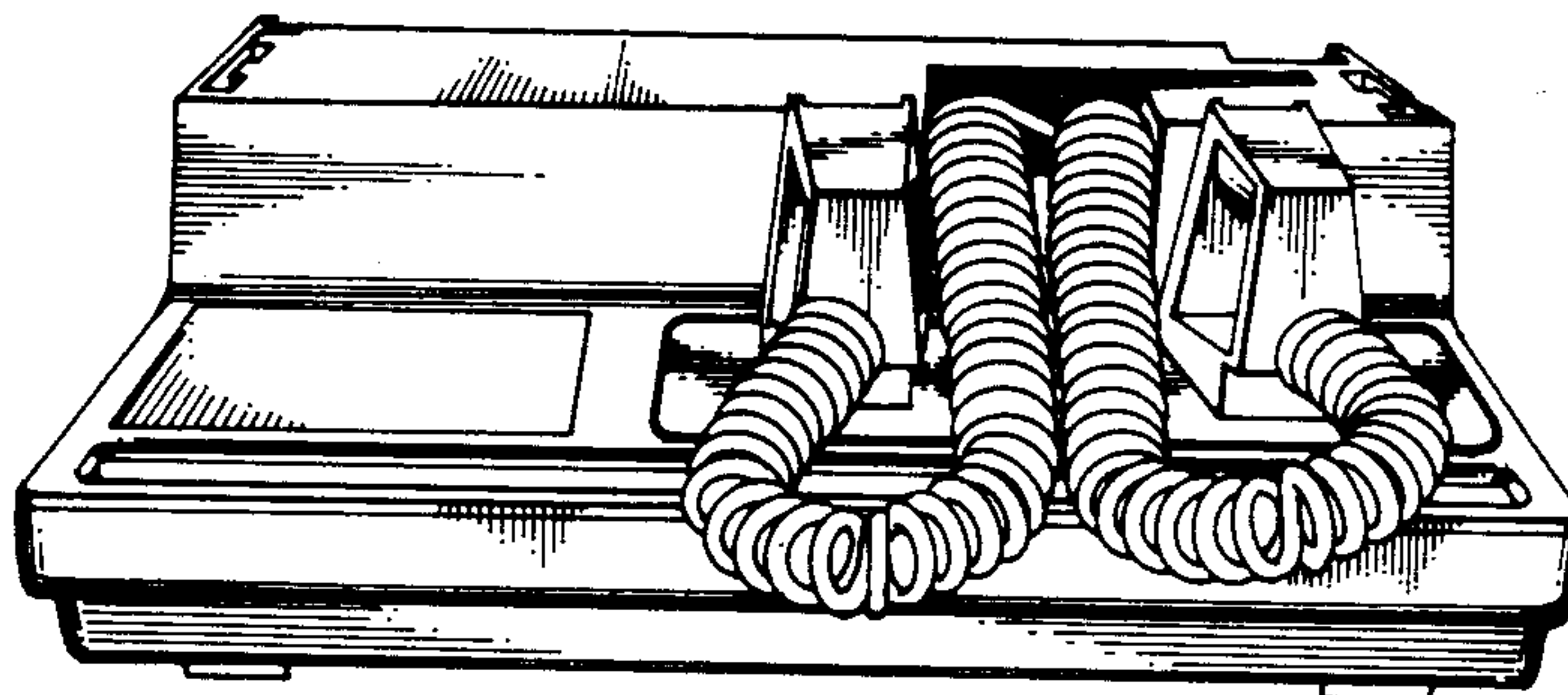


Fig. 2

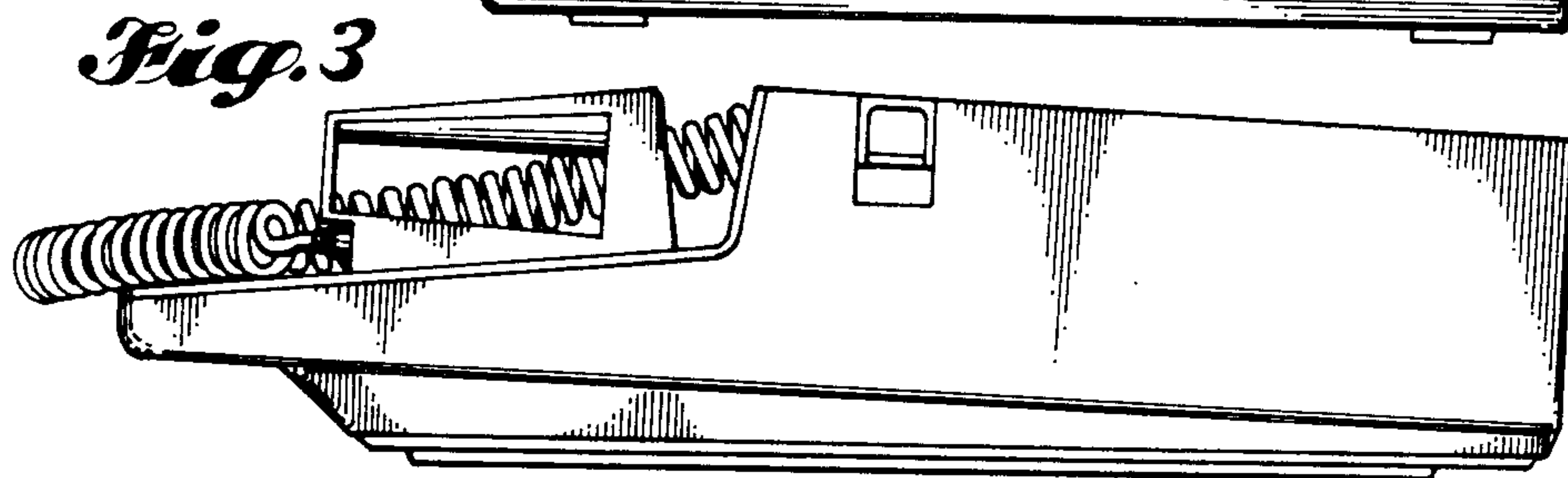


Fig. 3

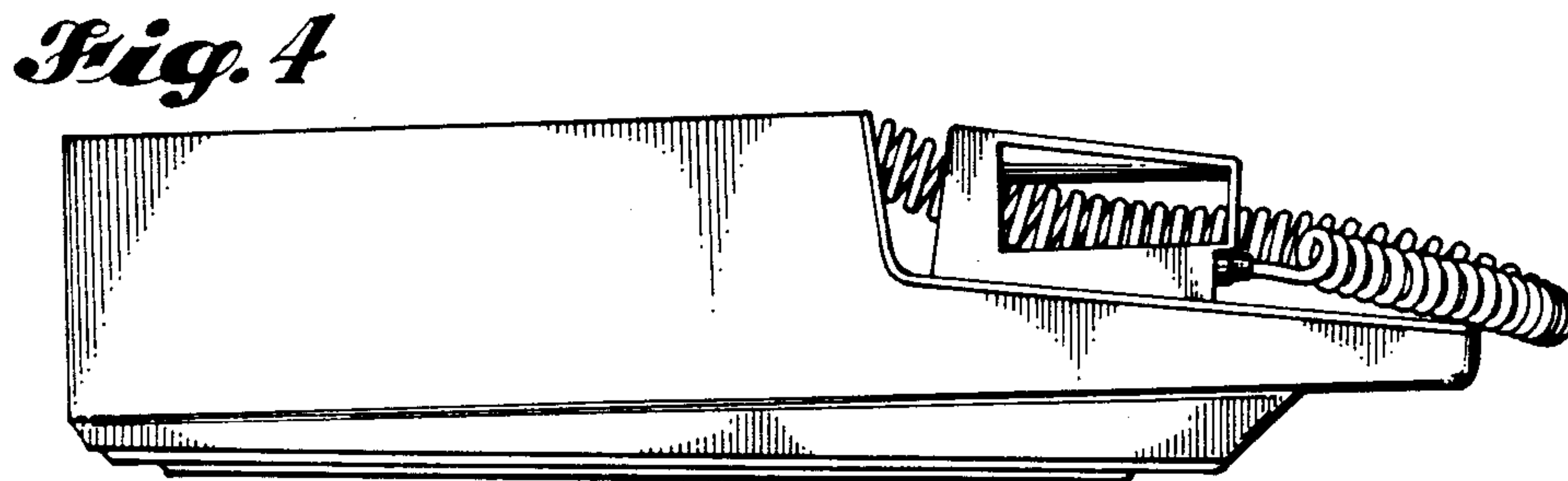


Fig. 4

Fig. 5

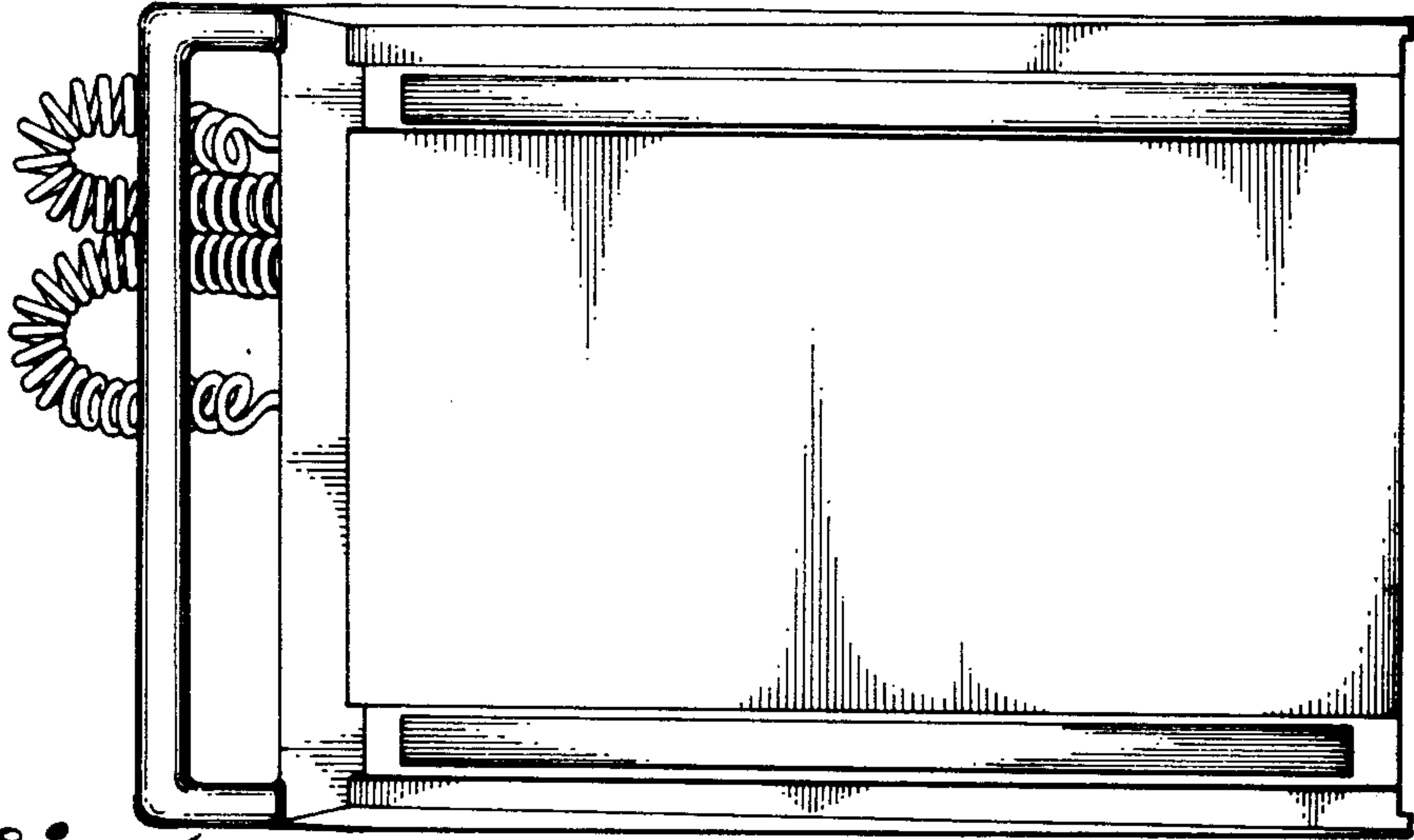
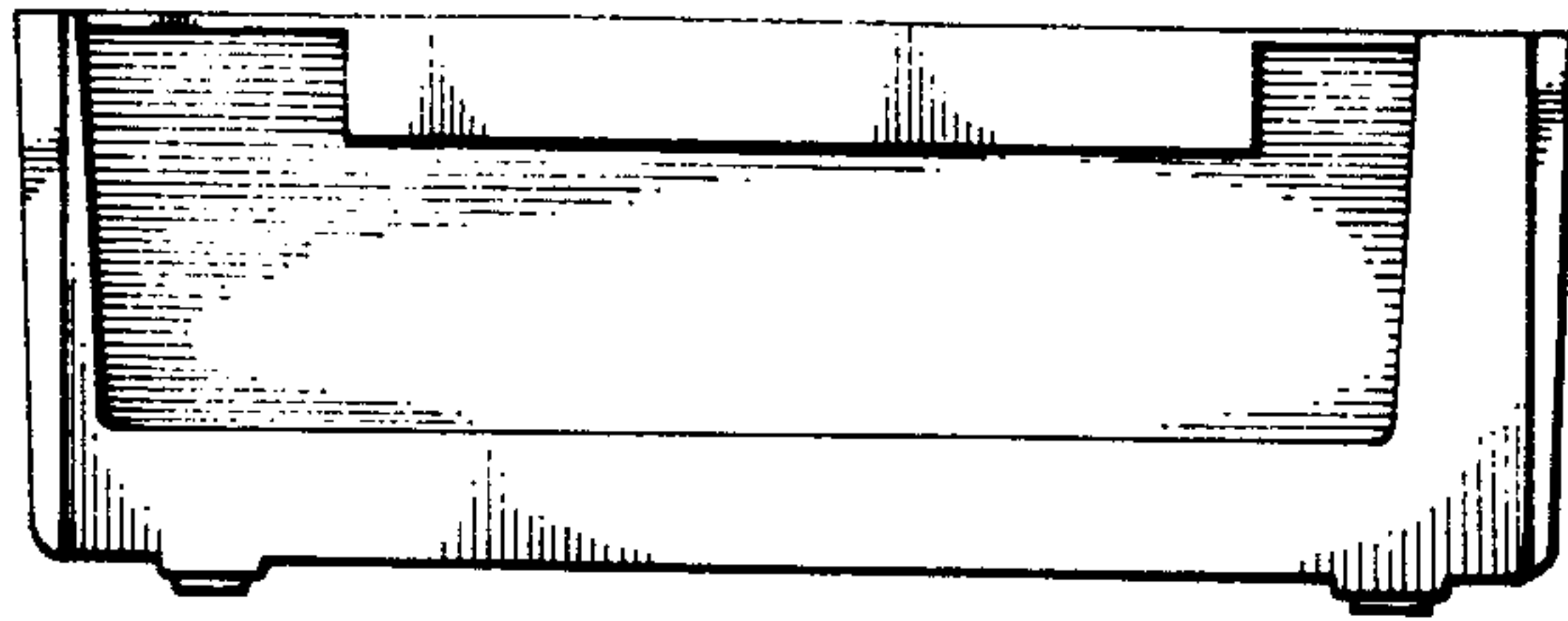


Fig. 6

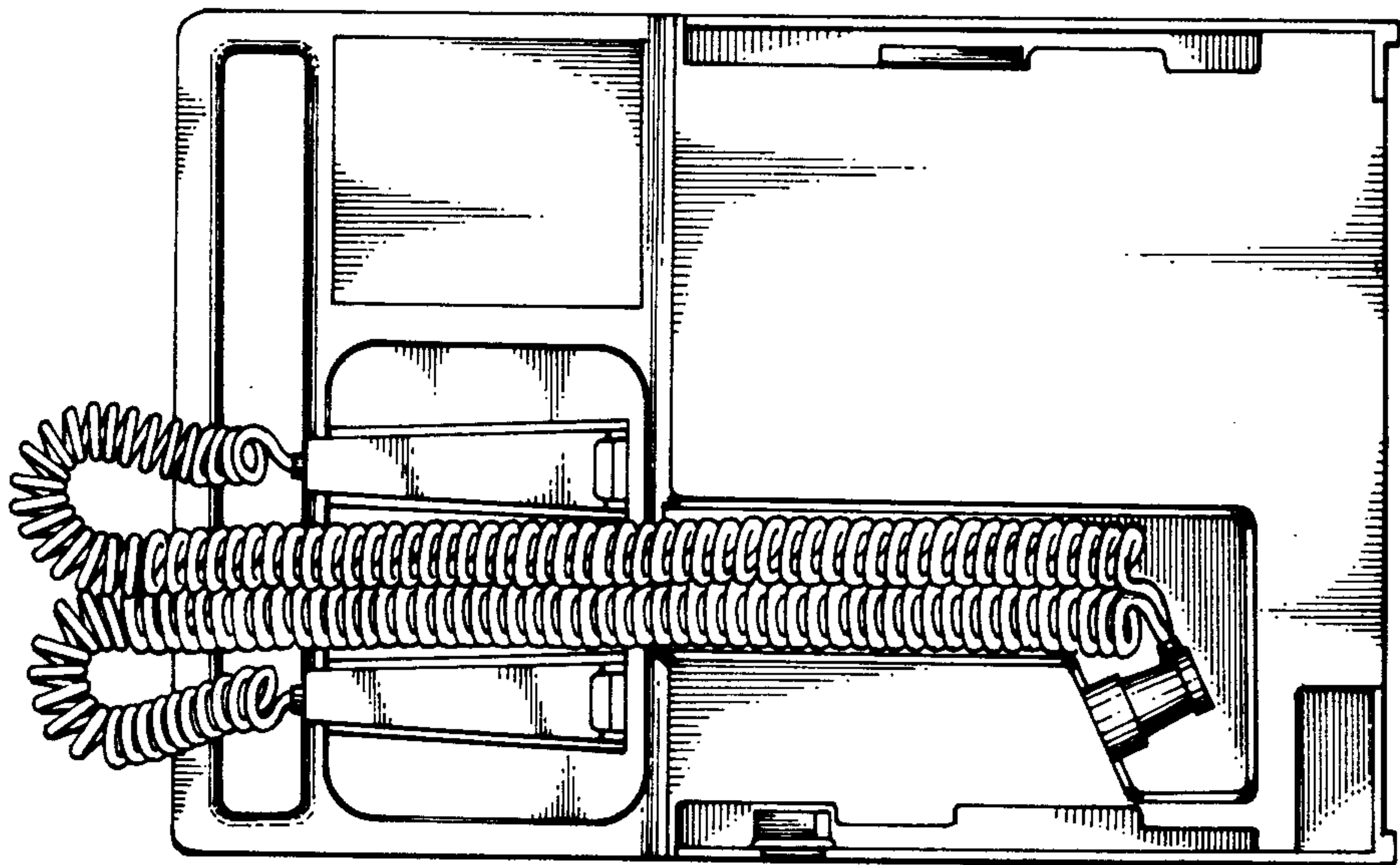


Fig. 7