

[54] WATER FAUCET

[75] Inventor: **Andreas Haug**, Altensteig, Fed. Rep. of Germany

[73] Assignee: **Hans Grohe GmbH & Co. KG**, Fed. Rep. of Germany

[\*\*] Term: **14 Years**

[21] Appl. No.: **941,331**

[22] Filed: **Sep. 8, 1978**

[30] Foreign Application Priority Data

Mar. 9, 1978 [DE] Fed. Rep. of Germany ..... MR 934  
Ob

[51] Int. Cl. .... **D23-01**

[52] U.S. Cl. .... **D23/23**

[58] Field of Search ..... **D23/23-32;**  
137/636.4, 801

[56] References Cited

U.S. PATENT DOCUMENTS

D. 183,672 10/1958 **Barker** ..... D23/23

D. 217,670	5/1970	Rowlands	.....	D23/32
D. 220,101	3/1971	Brown et al.	.....	D23/23
D. 227,762	7/1973	Arbon	.....	D23/23
D. 237,494	11/1975	Gustafsson	.....	D23/25
3,144,048	8/1964	Acker et al.	.....	D23/23 X
3,202,181	8/1965	West	.....	D23/23 X
3,623,510	11/1971	Harp et al.	.....	D23/23 X

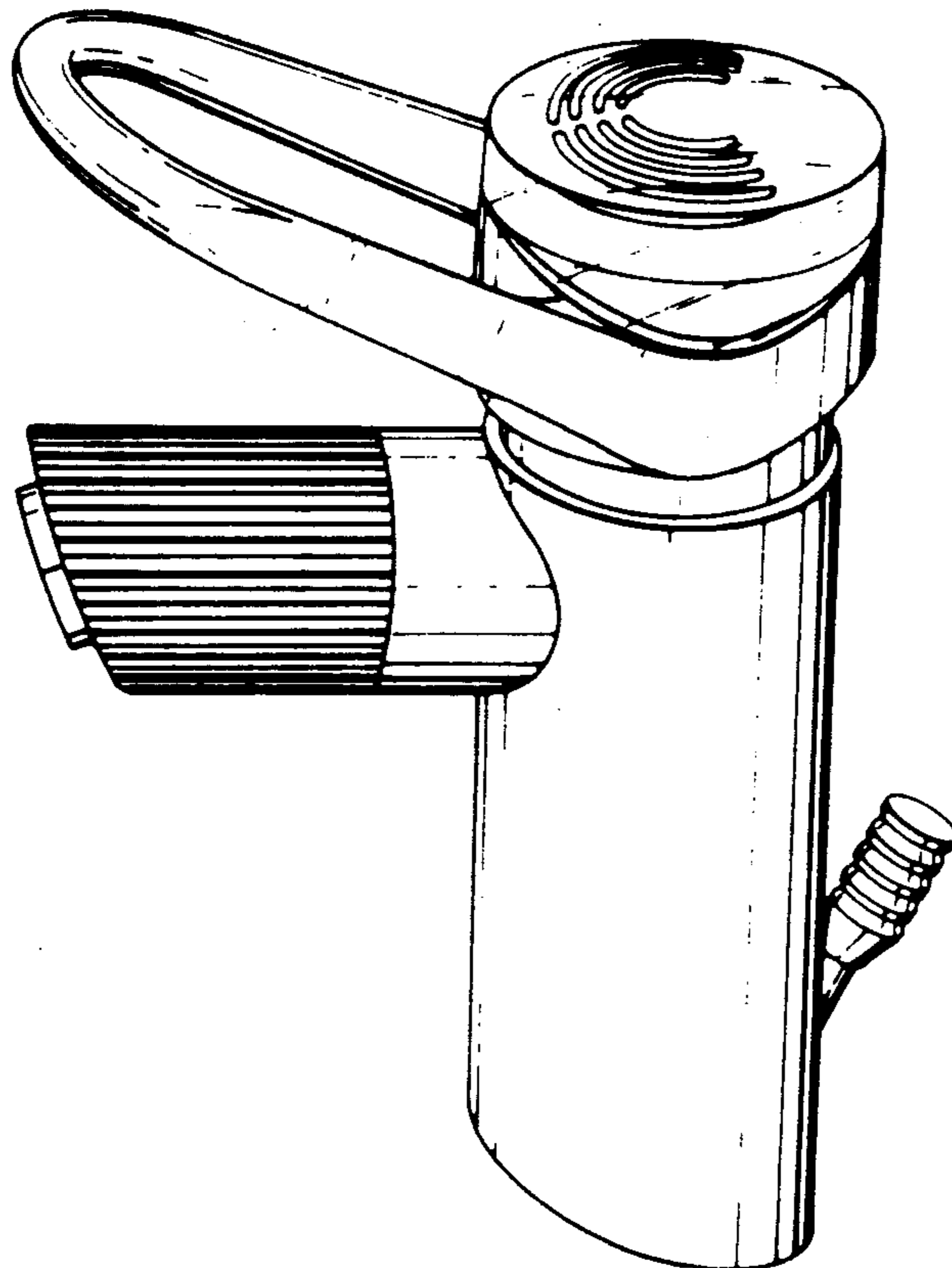
Primary Examiner—James R. Largen  
Attorney, Agent, or Firm—J. Rodman Steele, Jr.

[57] CLAIM

The ornamental design for water faucet, as shown and described.

DESCRIPTION

FIG. 1 is a perspective view of a water faucet showing my new design;  
FIG. 2 is a side view thereof;  
FIG. 3 is another perspective view thereof, showing the spout in a rotated position;  
FIG. 4 is a side view of FIG. 3;  
FIG. 5 is a rear view of FIG. 1;  
FIG. 6 is a front view of FIG. 3; and  
FIG. 7 is a top plan view of FIG. 3.



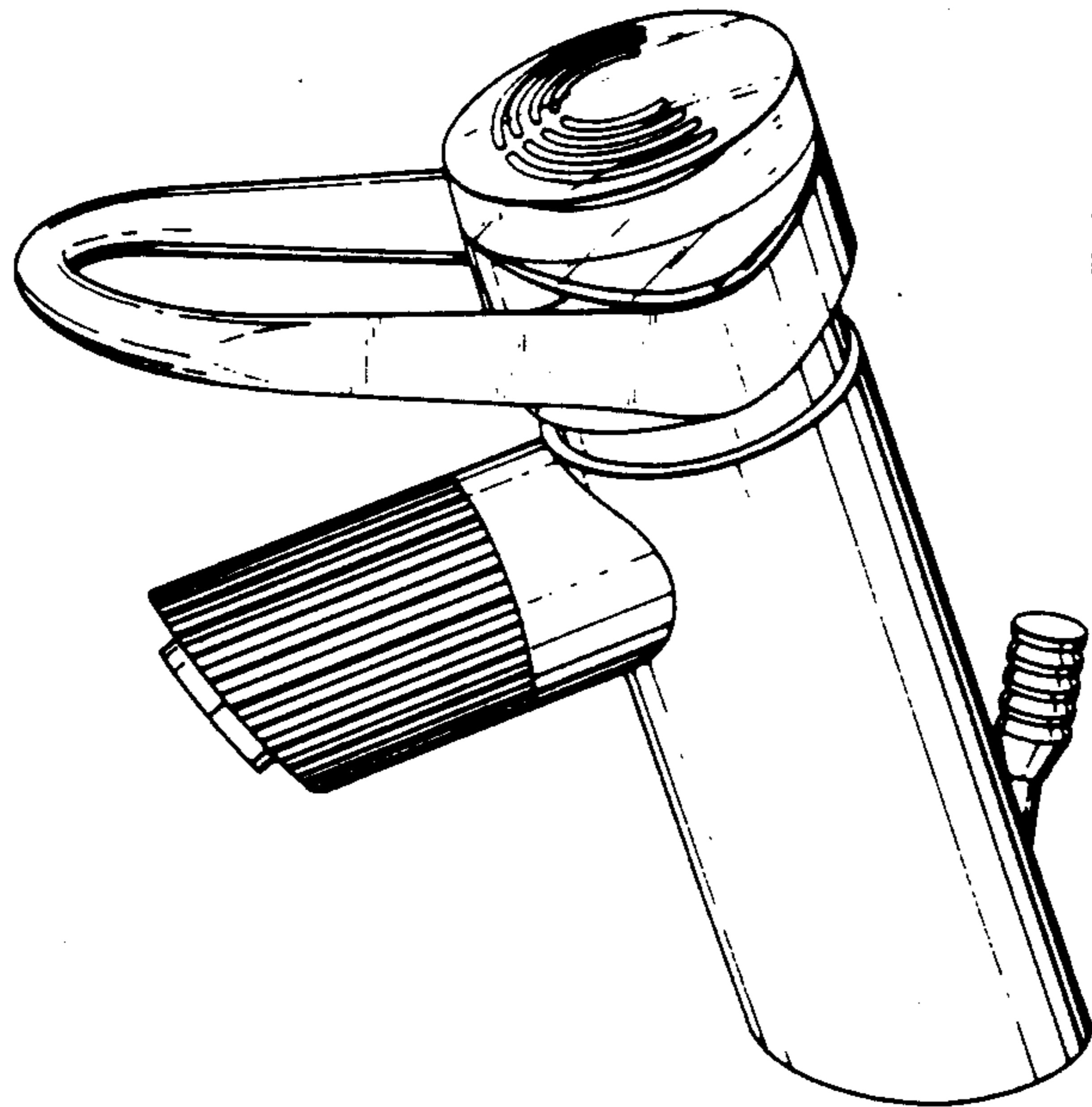


FIG. 1

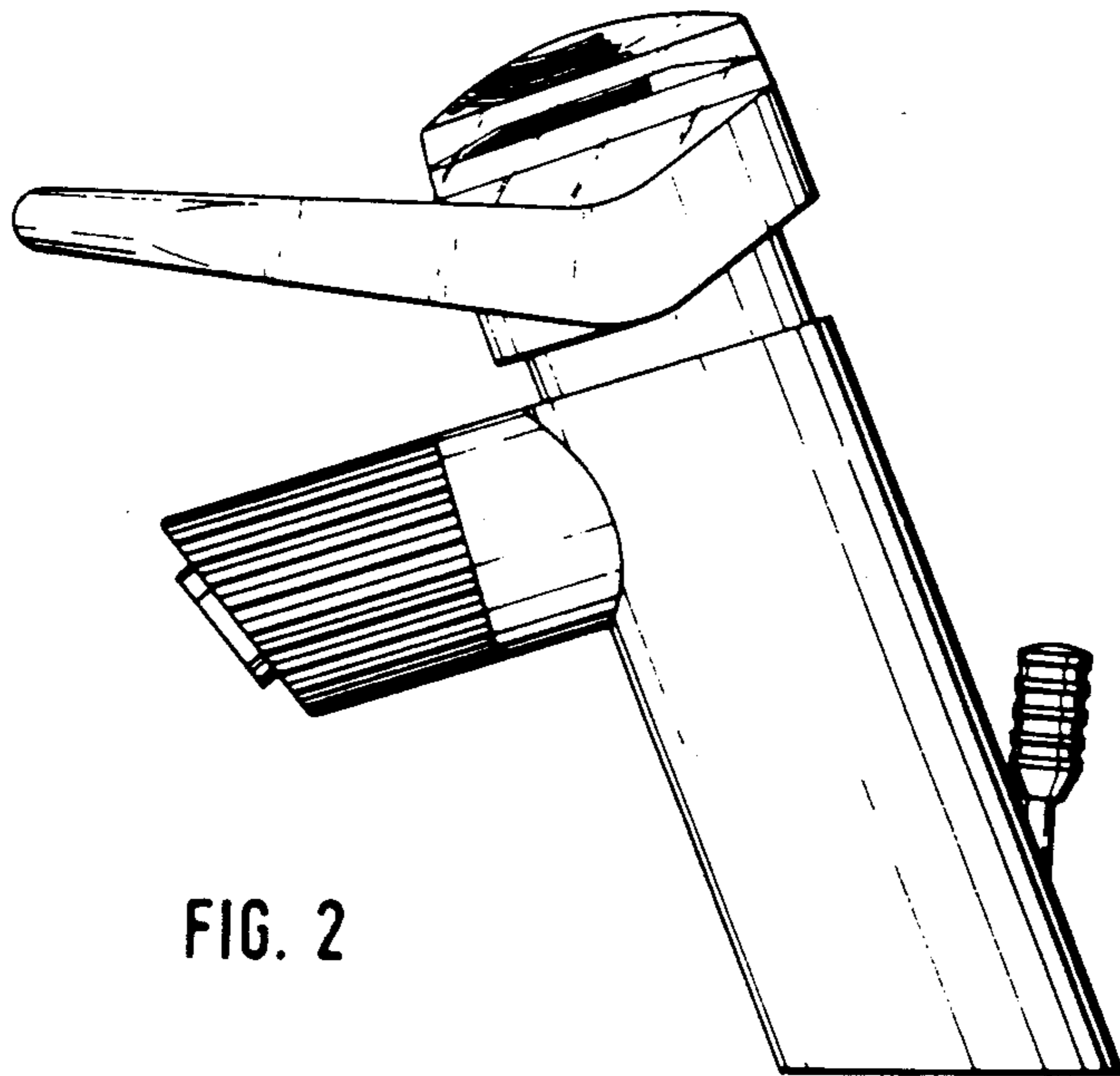


FIG. 2

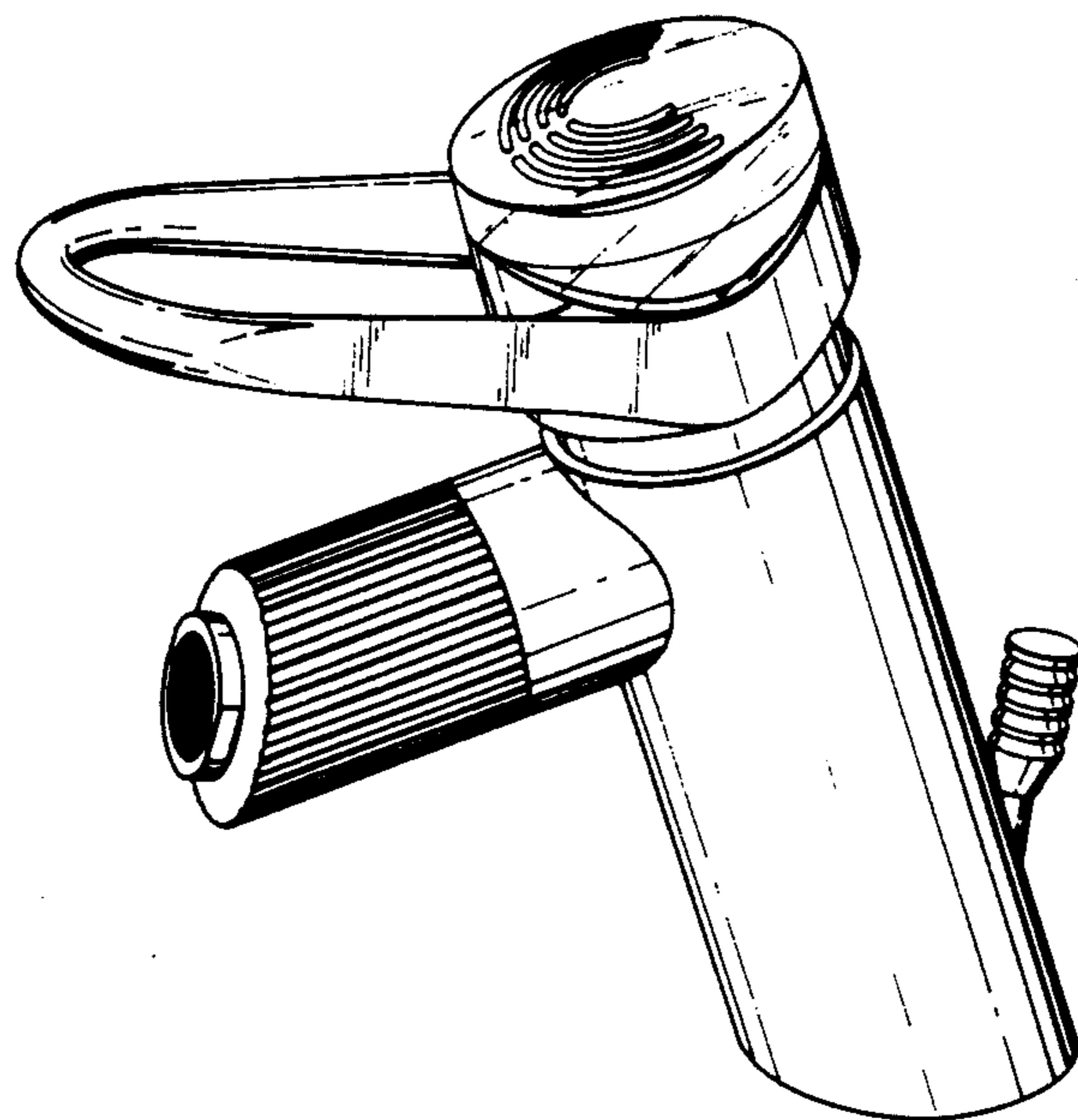


FIG. 3

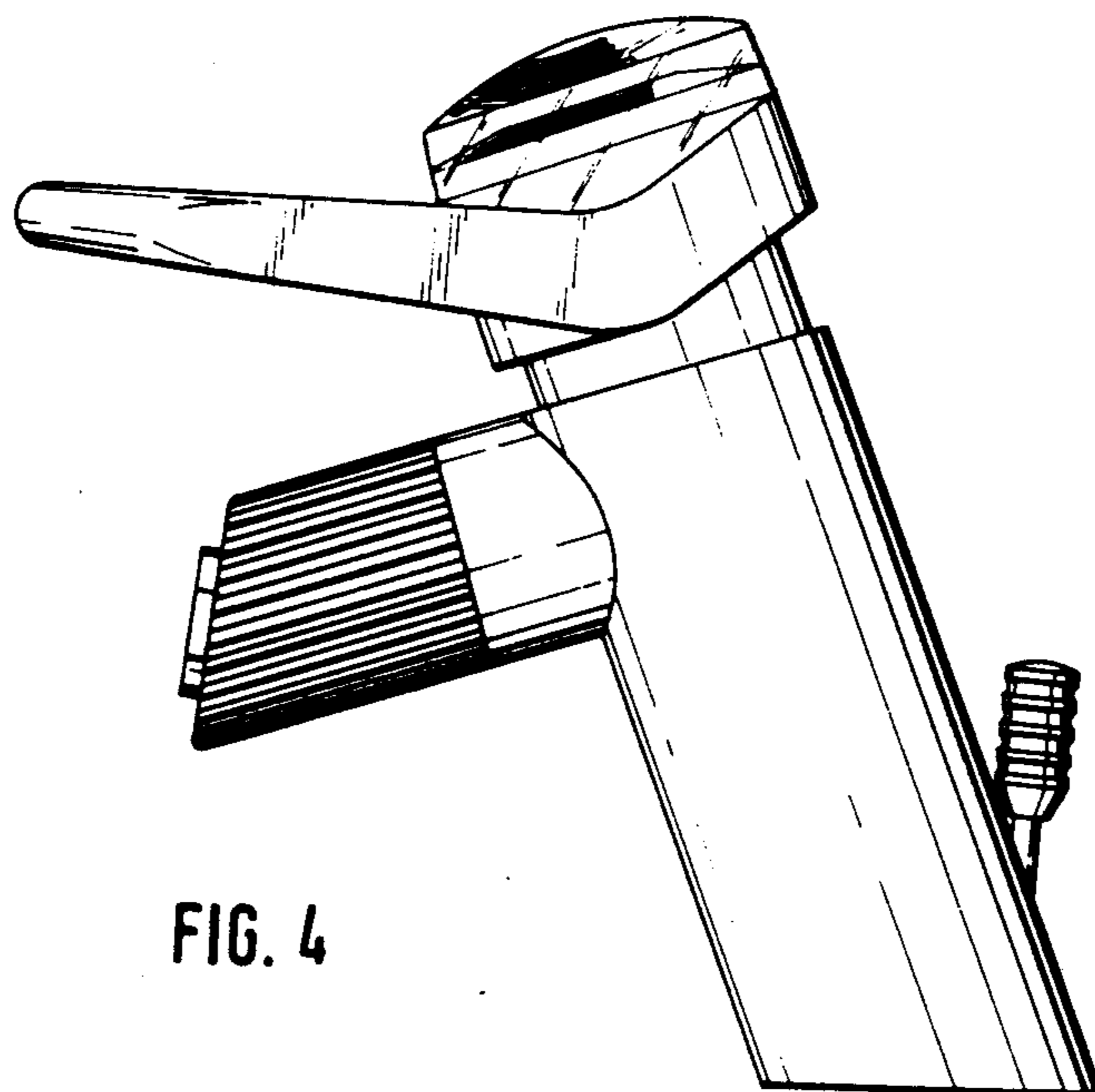


FIG. 4

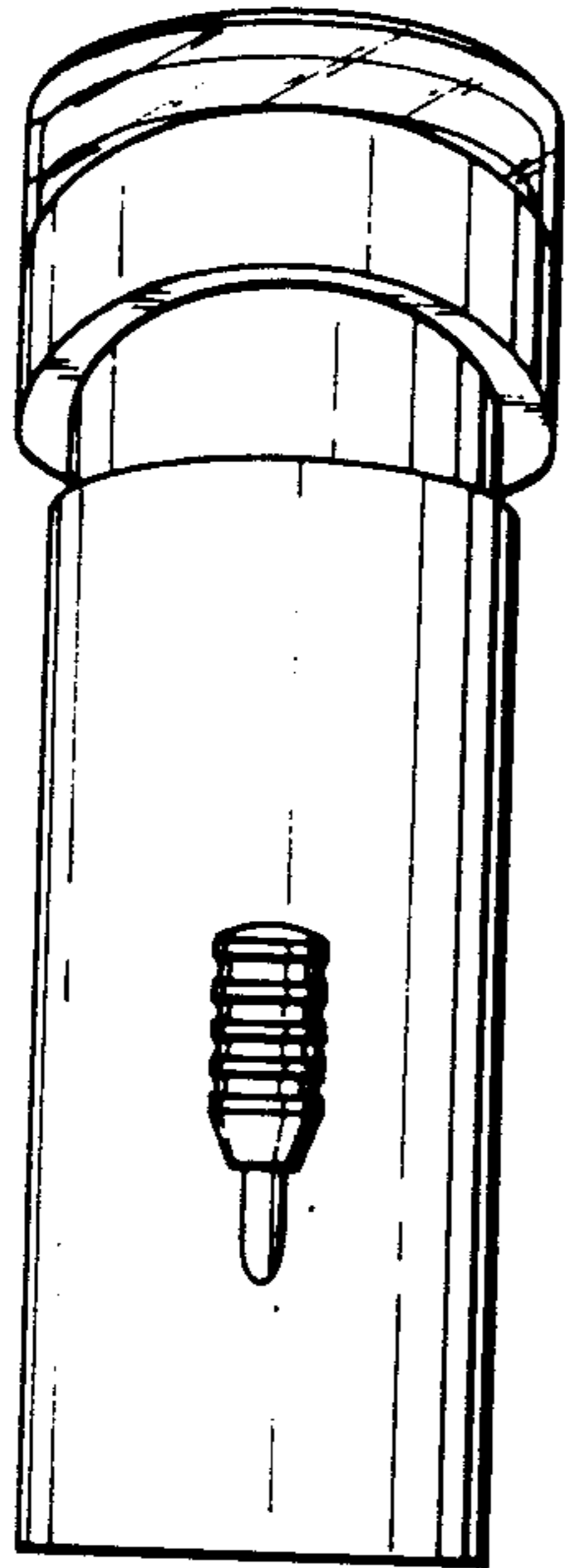


FIG. 5

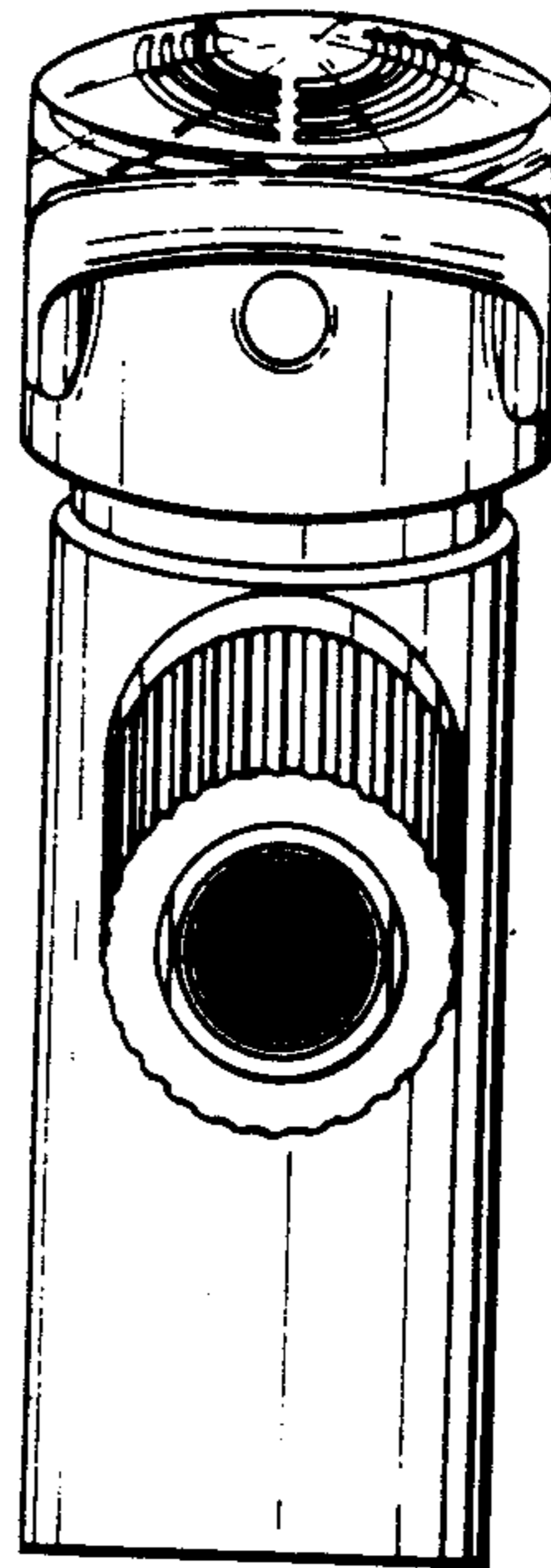


FIG. 6

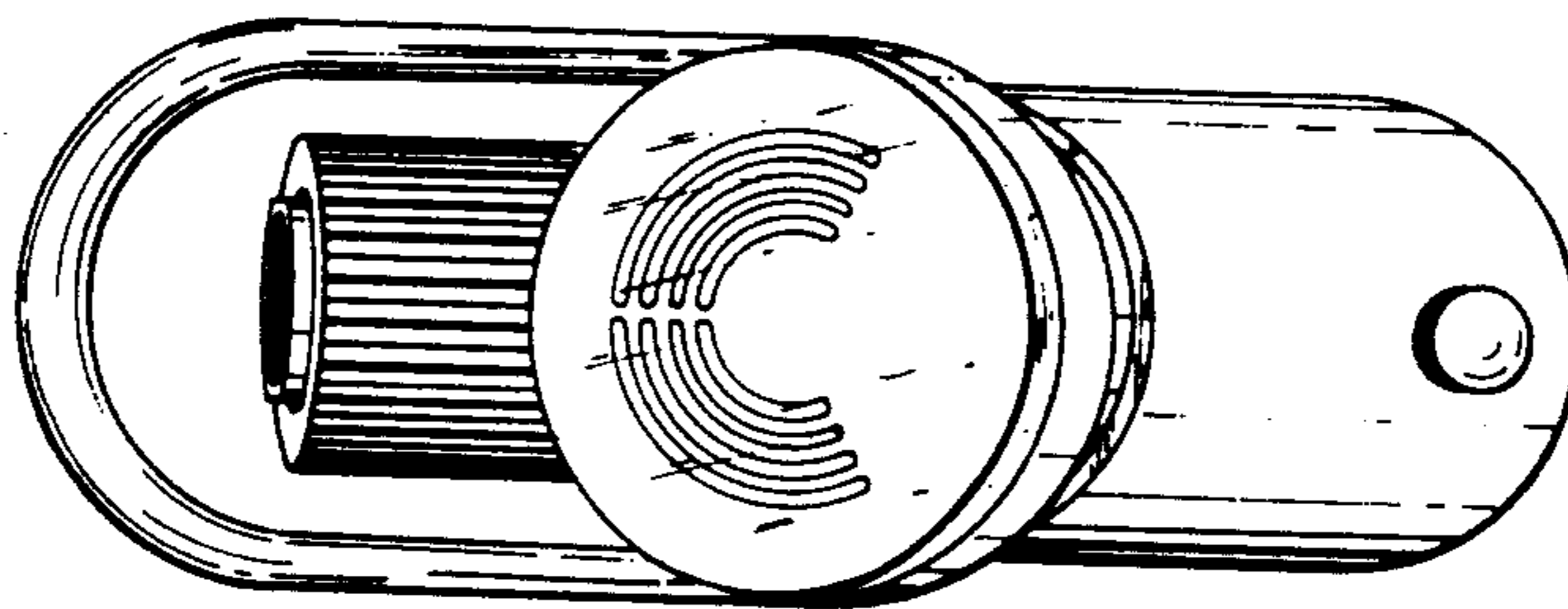


FIG. 7