

[54] TYPEWRITER

[75] Inventor: Allan L. McCroskery, Weston, Conn.

[73] Assignee: International Business Machines Corporation, Armonk, N.Y.

[\*\*] Term: 14 Years

[21] Appl. No.: 773,726

[22] Filed: Mar. 2, 1977

[51] Int. Cl. .... D18-01

[52] U.S. Cl. .... D18/1

[58] Field of Search ..... D64/11 A; D14/50, 93; 312/208; 400/691-694

[56] References Cited

U.S. PATENT DOCUMENTS

- D. 194,856 3/1963 Noyes ..... D64/11 A
- D. 217,106 4/1970 Noyes ..... D64/11 A

OTHER PUBLICATIONS

*Office Products*, Oct. 1975, p. 53—Electronic Typewriter at bottom right.

*Primary Examiner*—Louis S. Zarfes

*Attorney, Agent, or Firm*—Laurence R. Letson

[57] CLAIM

The ornamental design for a typewriter, substantially as shown and described.

DESCRIPTION

FIG. 1 is a left front perspective view of a typewriter showing my new design;

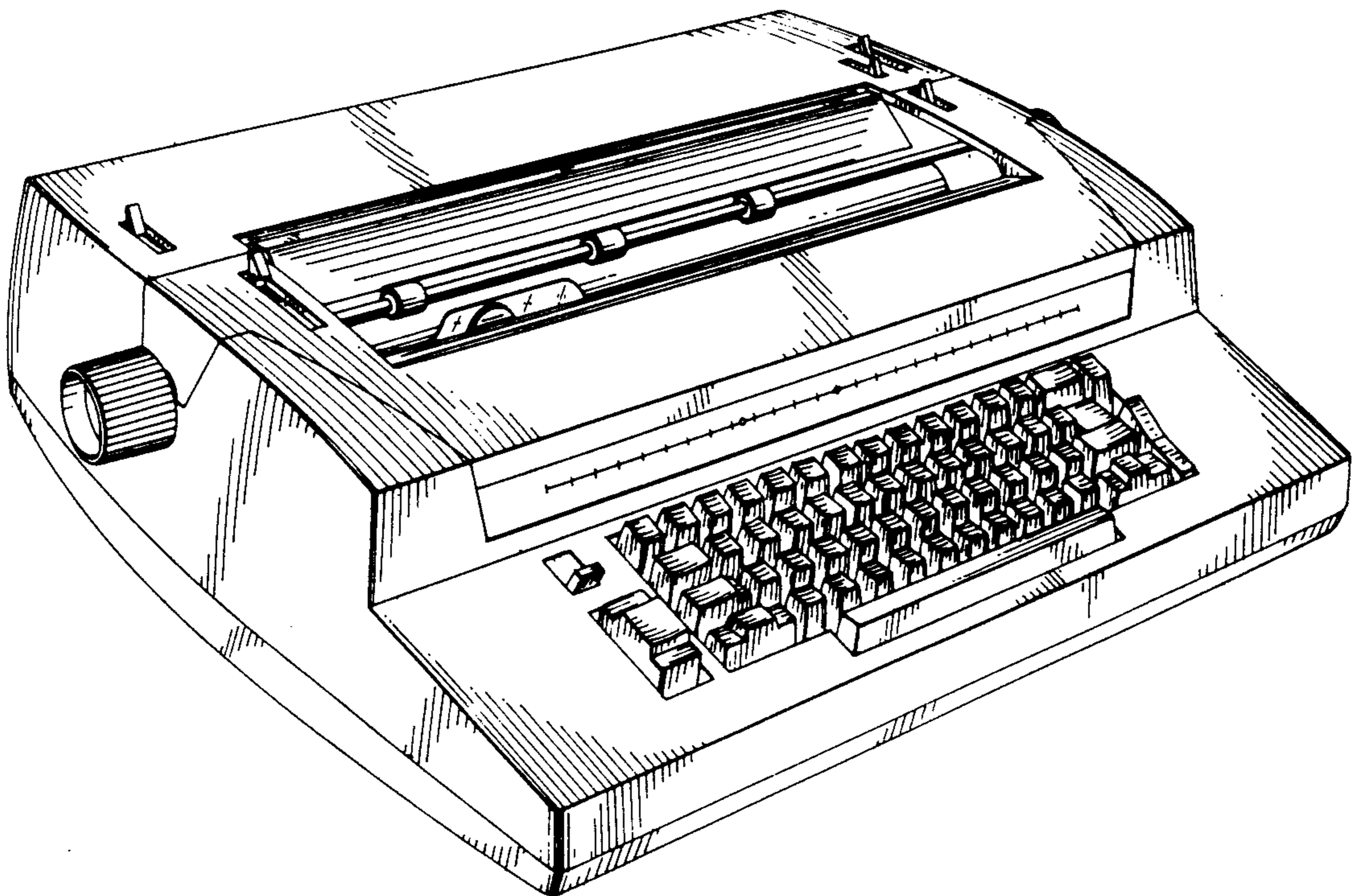
FIG. 2 is a right front perspective view thereof;

FIG. 3 is a right rear perspective view thereof;

FIG. 4 is a left rear perspective view thereof.

FIG. 5 is a left side elevational view thereof.

The cord is shown only partially in FIGS. 3 to 4 for convenience of illustration.



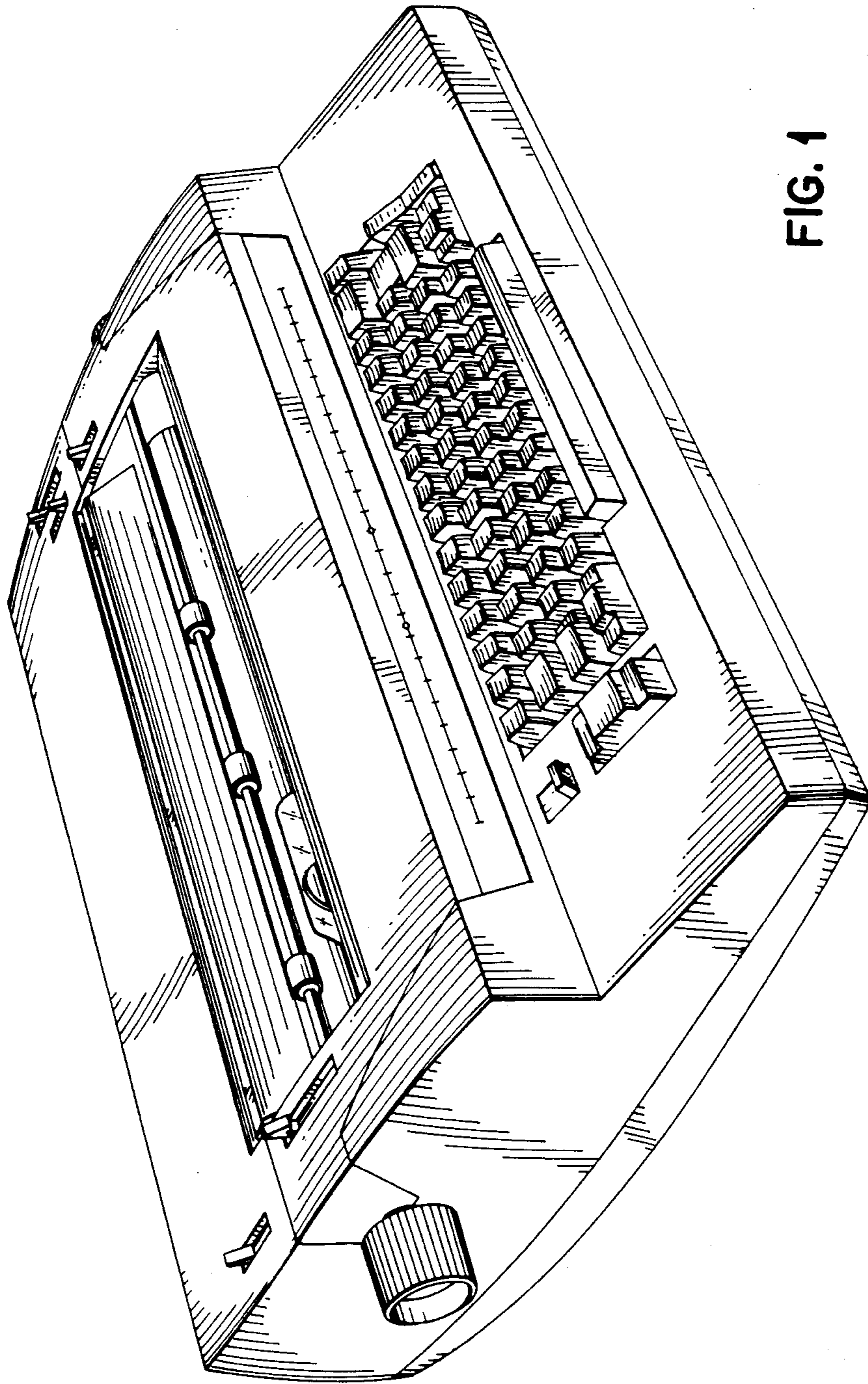


FIG. 1

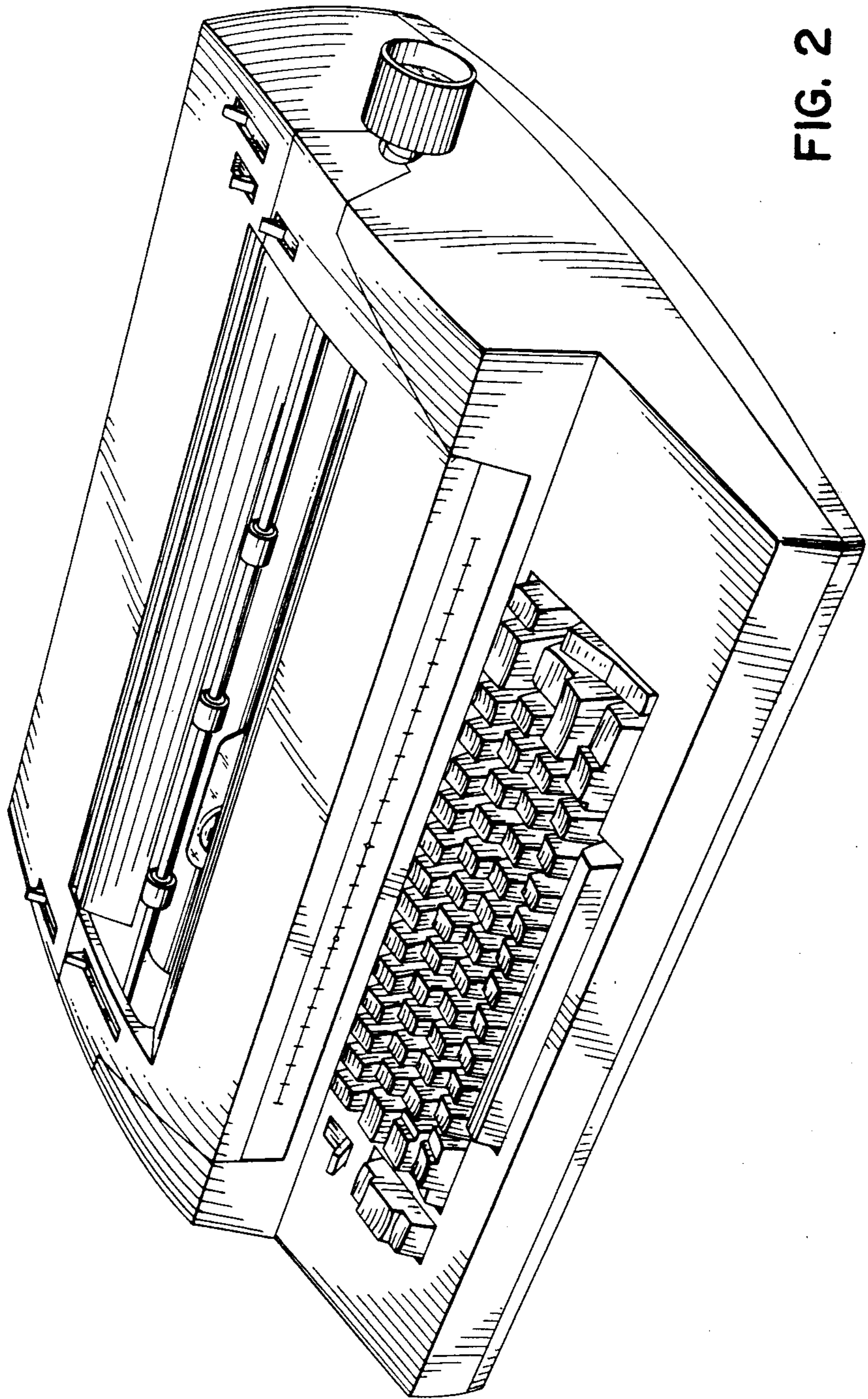


FIG. 2

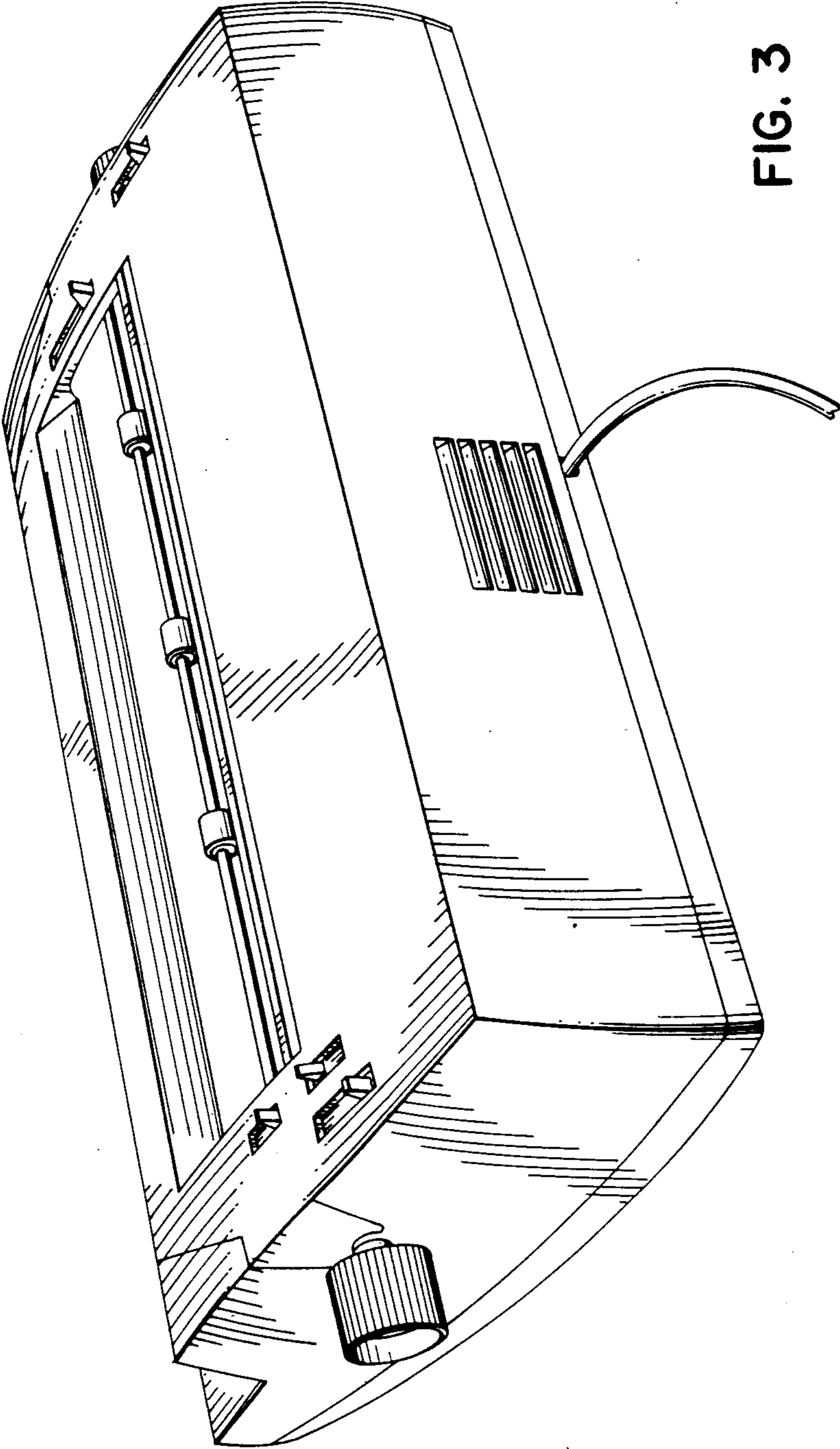


FIG. 3

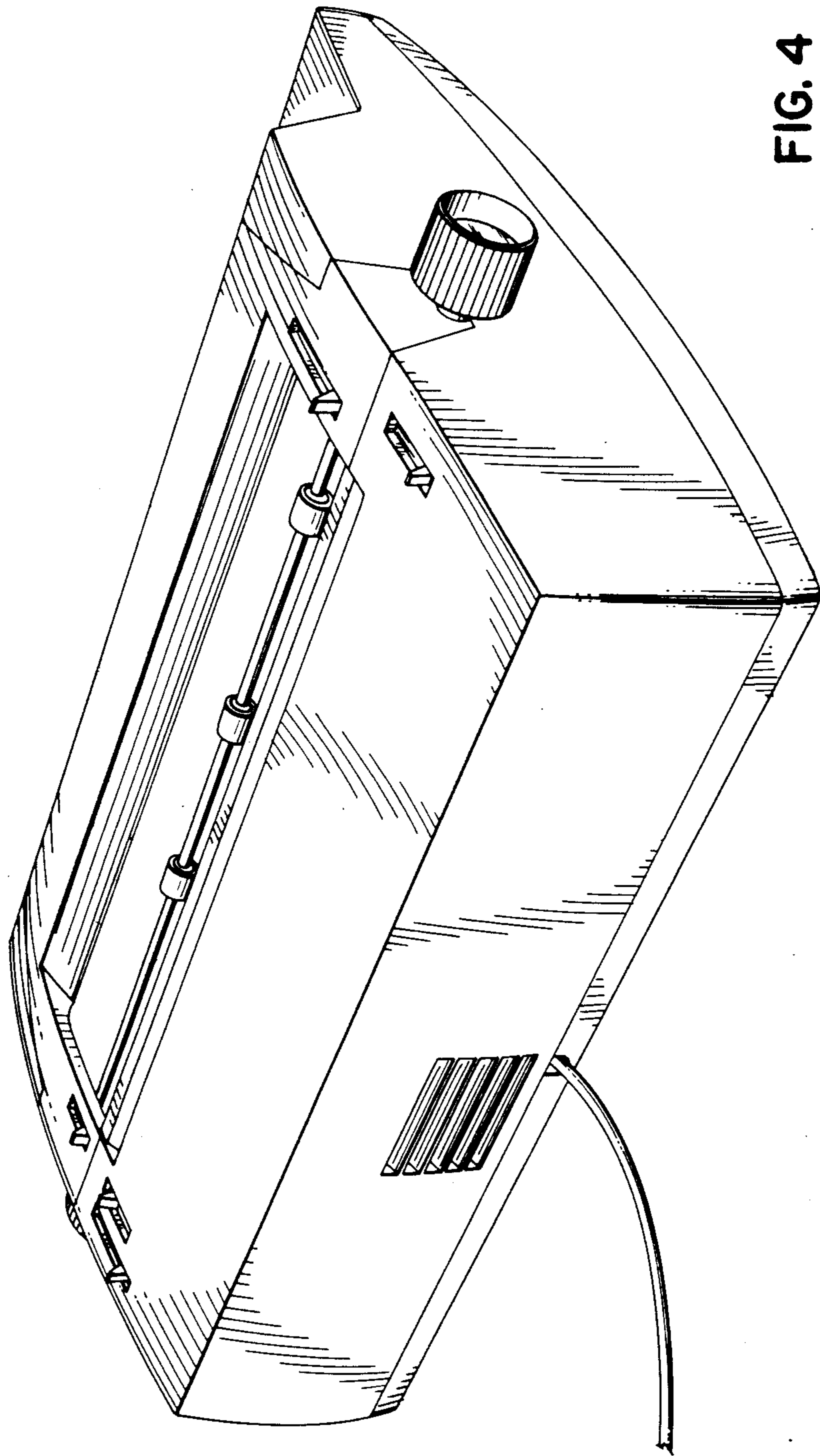


FIG. 4

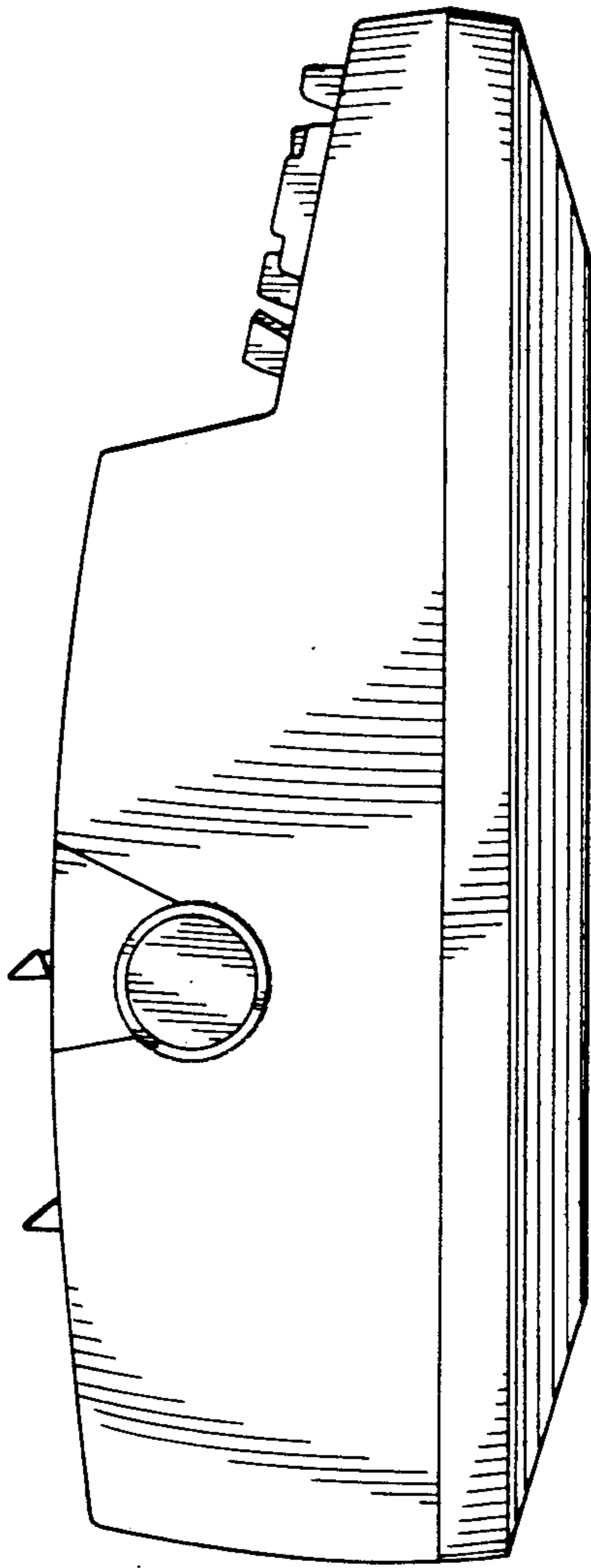


FIG. 5