

[54] TELESCOPE MOUNT

[75] Inventor: Peter W. Bressler, Philadelphia, Pa.

[73] Assignee: Edmund Scientific Company, Barrington, N.J.

[**] Term: 14 Years

[21] Appl. No.: 830,364

[22] Filed: Sep. 2, 1977

[51] Int. Cl. D16-06

[52] U.S. Cl. D16/60; D16/83

[58] Field of Search 350/83, 85; D16/59, D16/60, 83

[56] References Cited

U.S. PATENT DOCUMENTS

D. 191,377	9/1961	Kraus	D16/60
D. 199,371	10/1964	Kraus	D16/60
2,948,189	8/1960	Fischer	350/83 X

FOREIGN PATENT DOCUMENTS

1120736 12/1961 Fed. Rep. of Germany 350/83

OTHER PUBLICATIONS

Sky & Telescope, Mar. 1970, p. 200, Telescope, bottom of page.

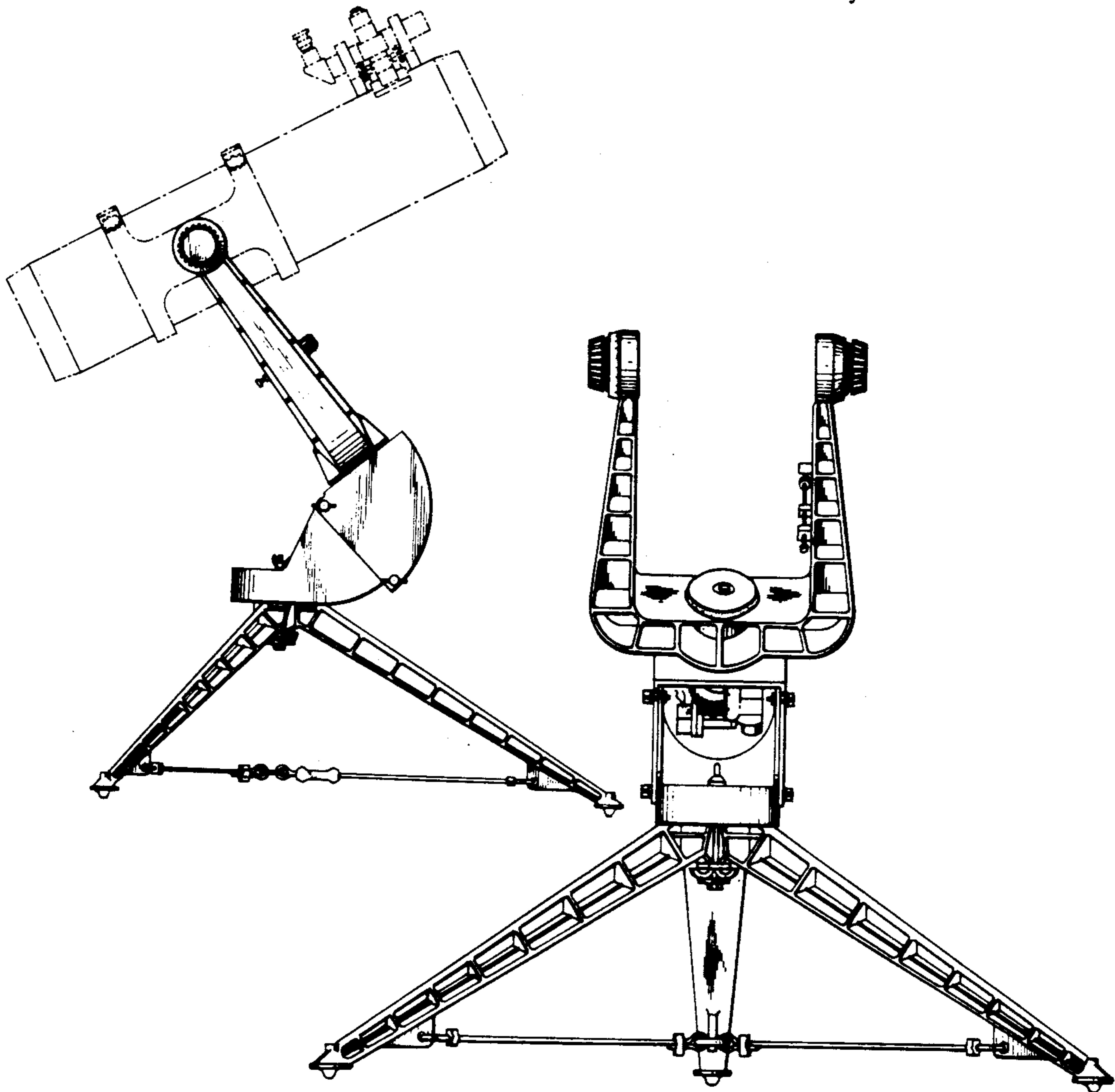
Primary Examiner—Bernard Ansher
Attorney, Agent, or Firm—George A. Smith, Jr.

[57] CLAIM

The ornamental design for a telescope mount, as shown and described.

DESCRIPTION

FIG. 1 is a right-hand side elevation of a telescope mount showing my new design; FIG. 2 is a front elevation thereof; FIG. 3 is a left-hand side elevation thereof; FIG. 4 is a rear elevation thereof; FIG. 5 is a top plan view thereof; and FIG. 6 is a bottom plan view thereof. A telescope and cradle are shown in broken lines to denote environmental only.



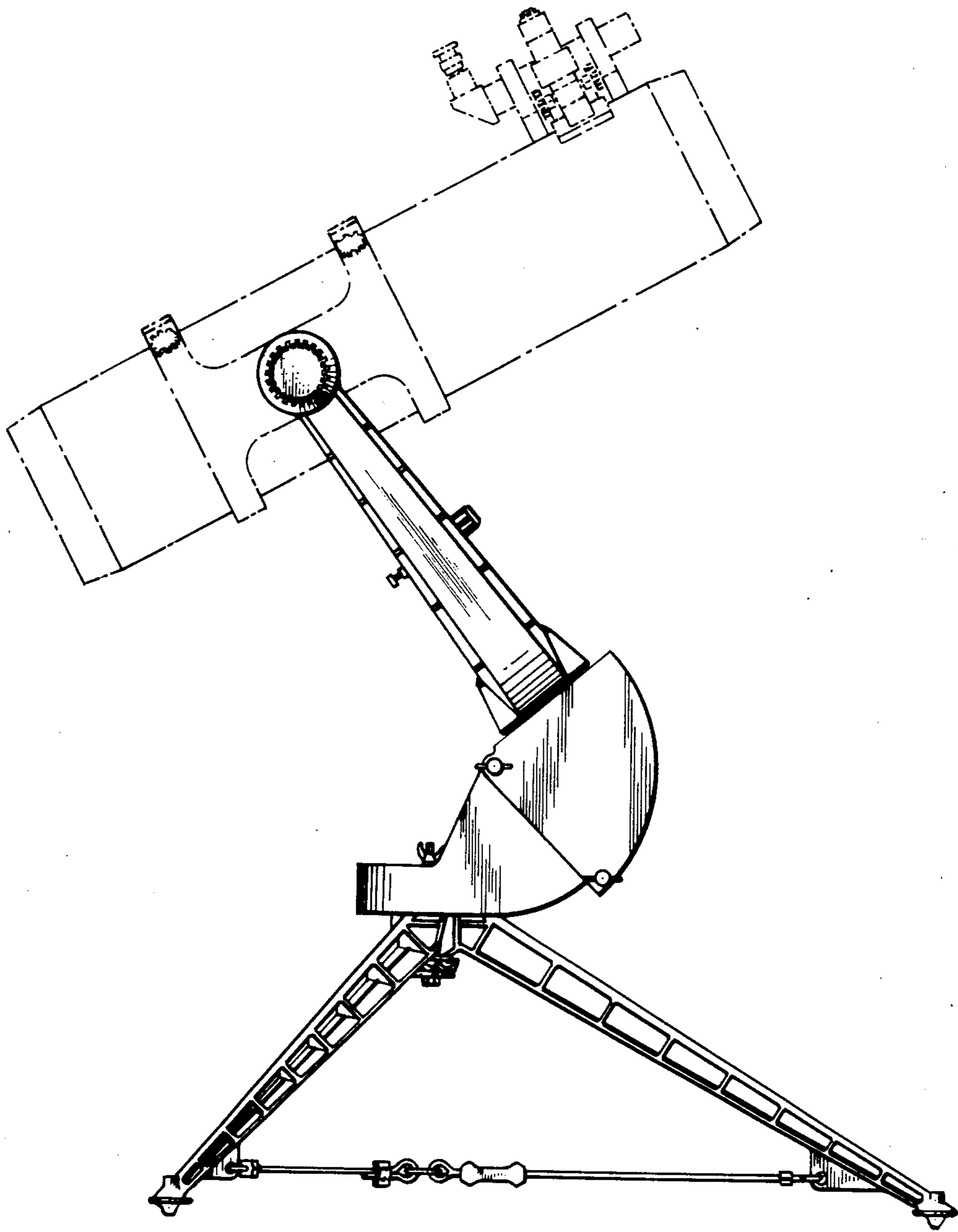


FIG. 1.

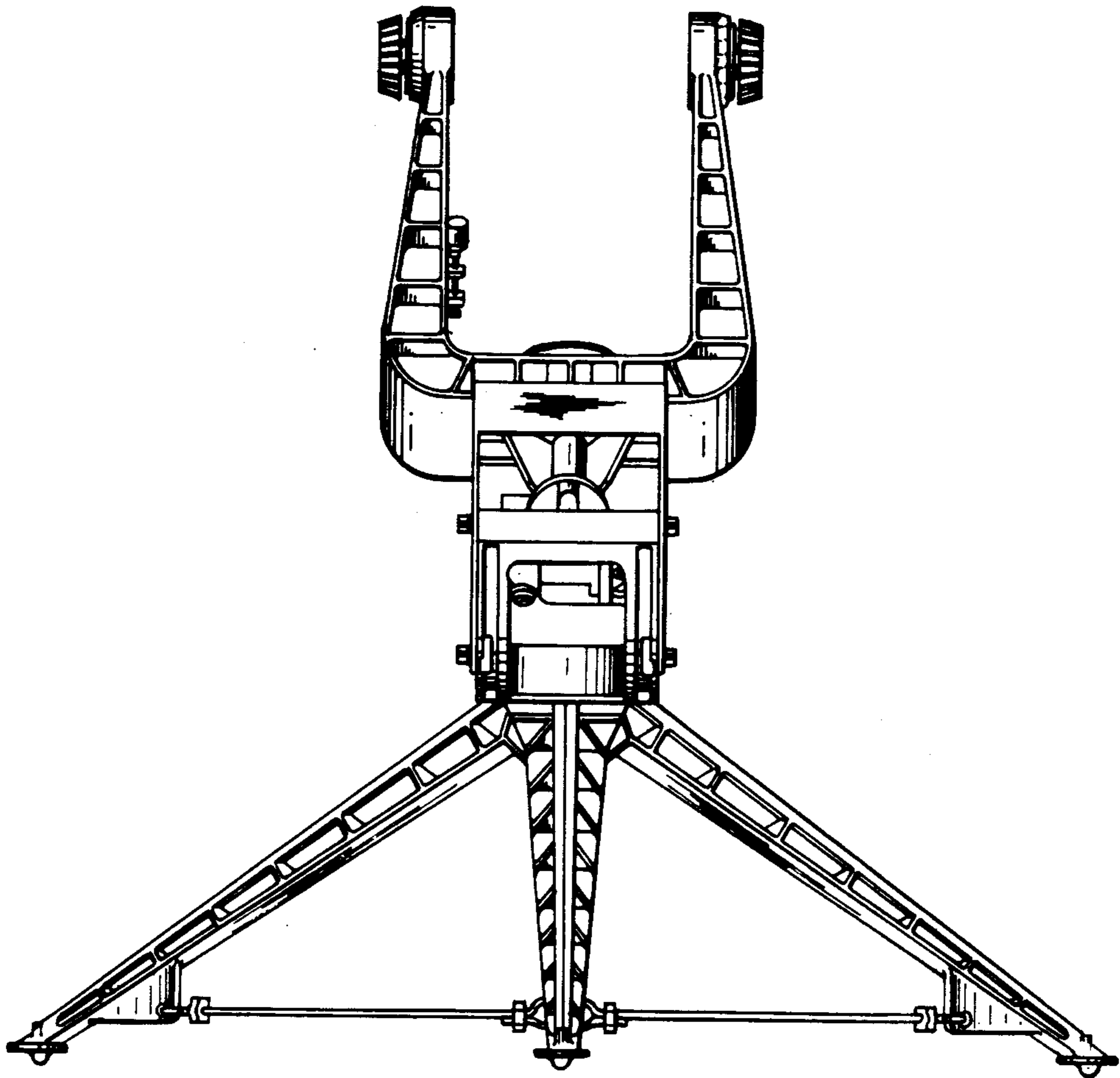


FIG. 2.

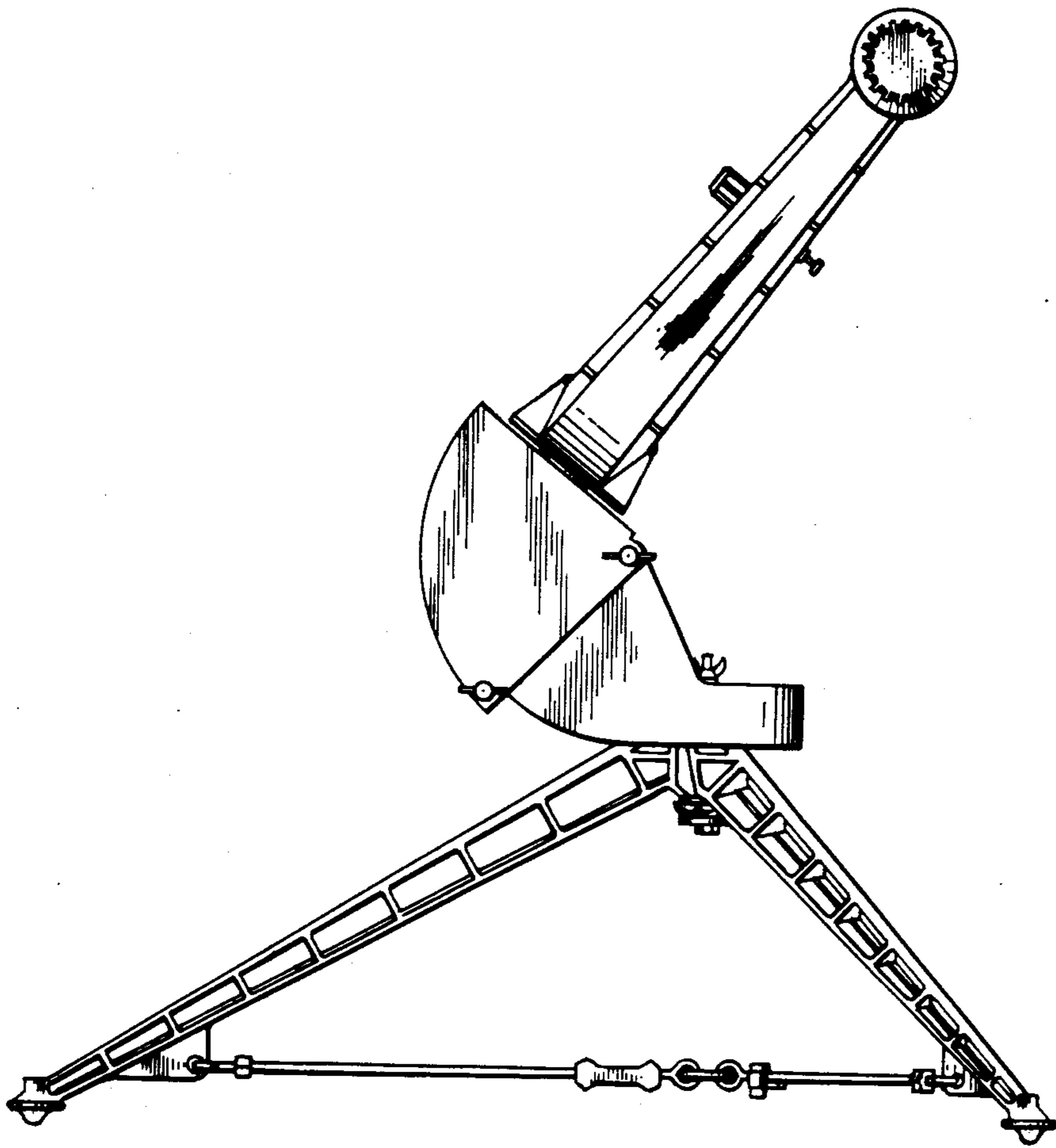


FIG. 3.

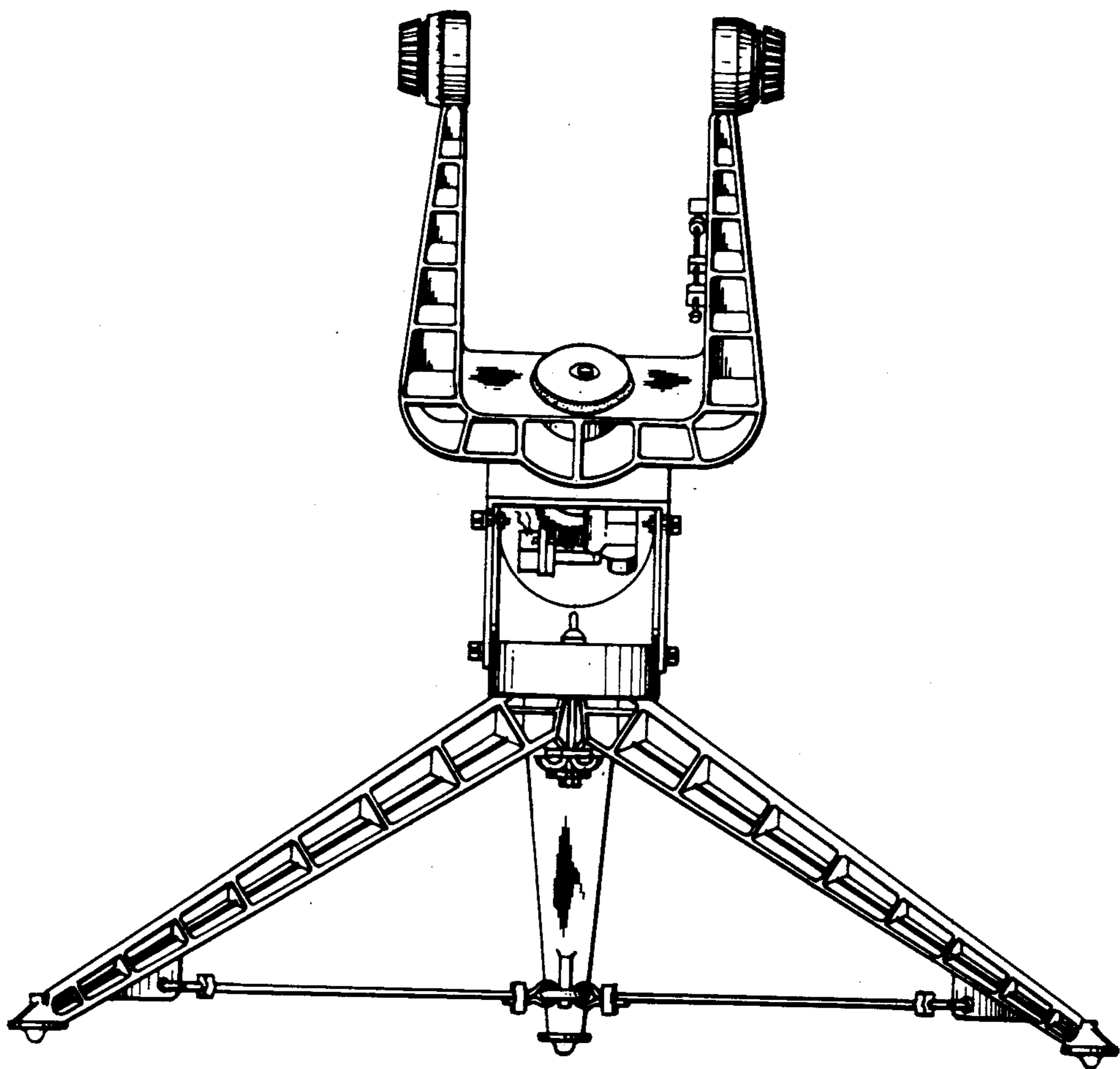


FIG. 4.

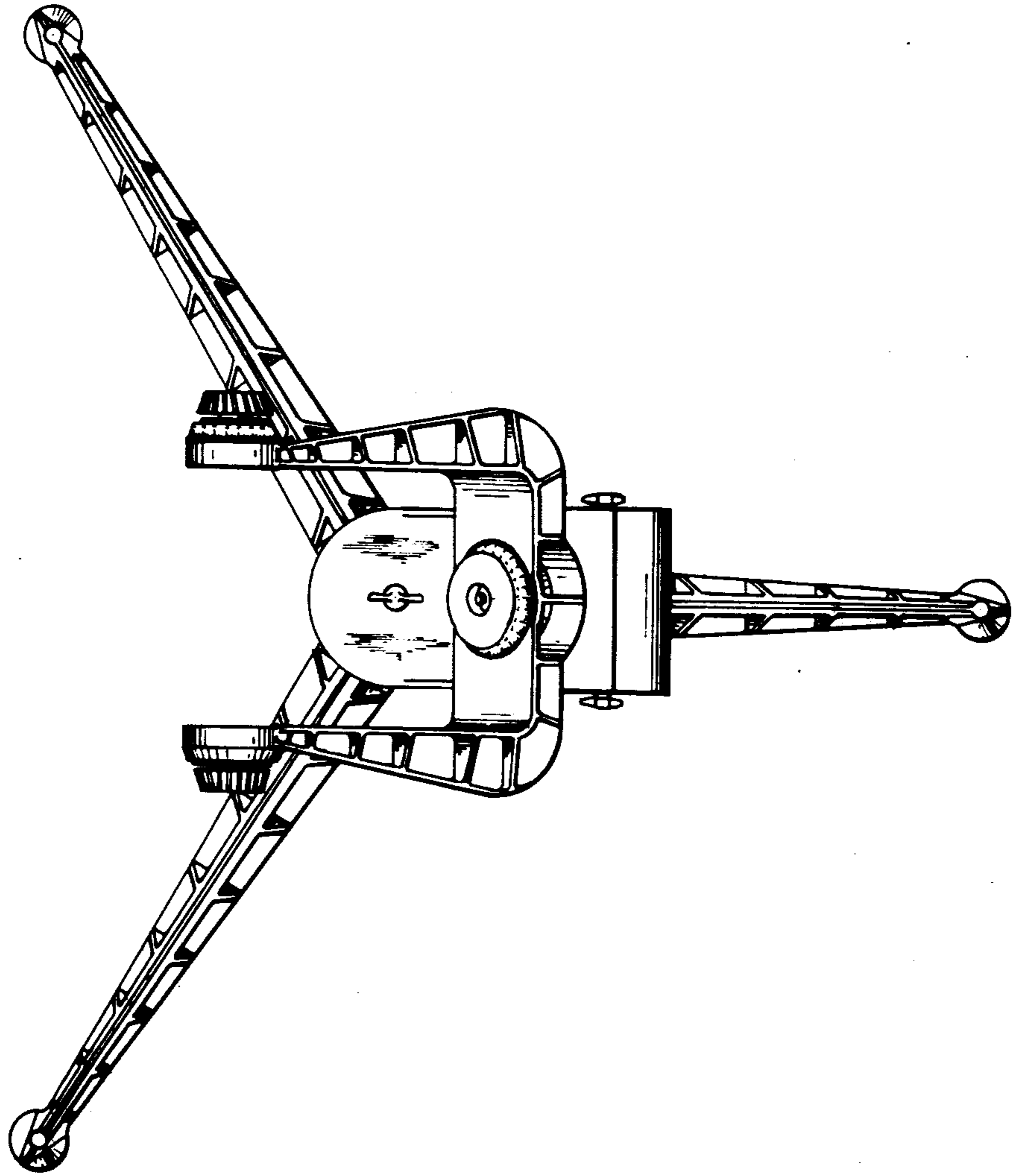


FIG. 5.

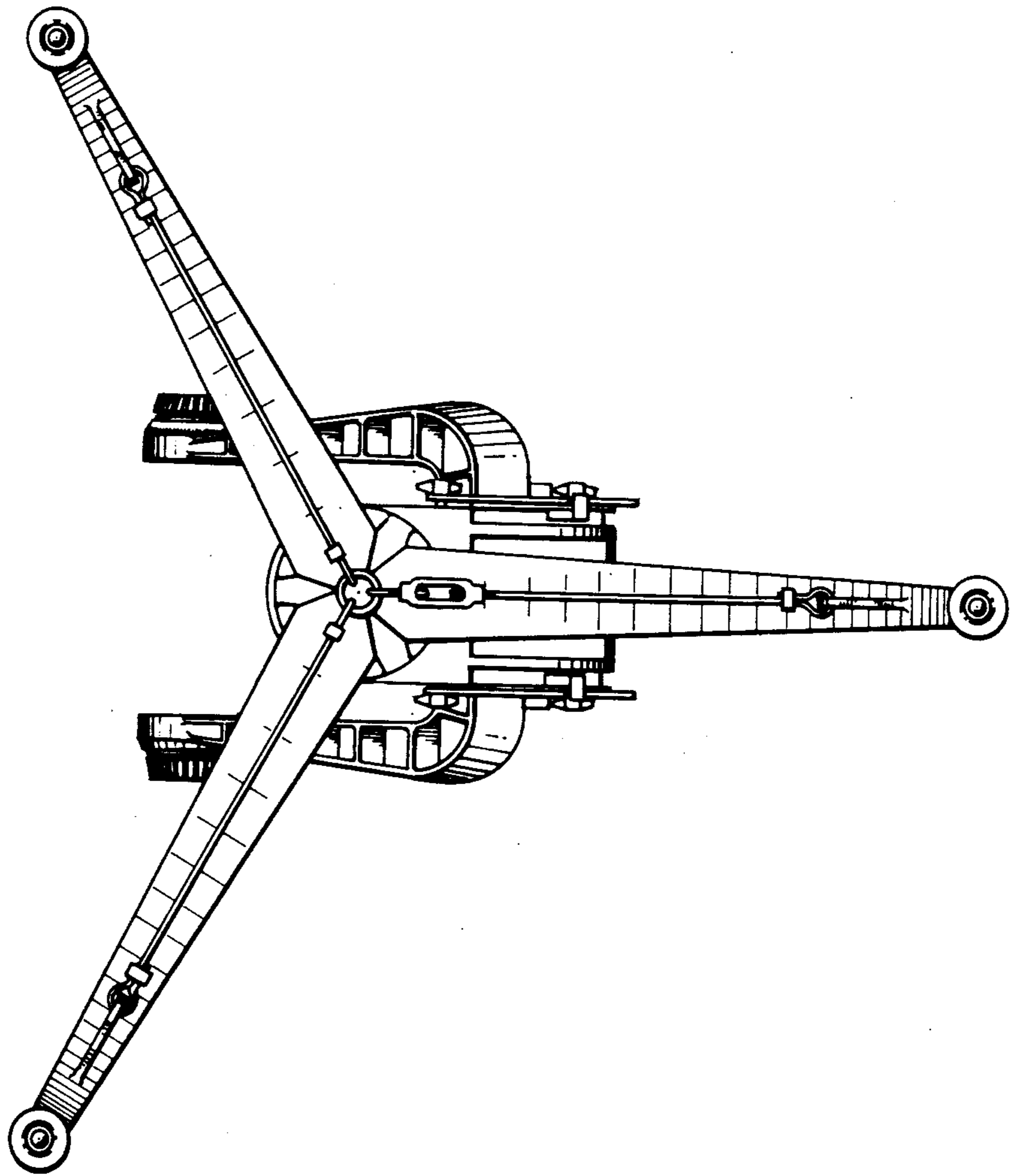


FIG. 6.