

[54] SUCTION TOOL FOR A LIQUID DISPENSING VACUUM CLEANER

[76] Inventor: Jelle G. Nauta, R.R. #4, Stouffville, Ontario, Canada

[\*\*] Term: 14 Years

[21] Appl. No.: 839,759

[22] Filed: Oct. 5, 1977

[51] Int. Cl. .... D15-05

[52] U.S. Cl. .... D15/63

[58] Field of Search ..... D15/62, 63, 64; 15/320, 15/321, 322, 415, 416, 417, 418, 419, 420, 421, 422

[56] References Cited

U.S. PATENT DOCUMENTS

D. 242,211 11/1976 Parise ..... D15/63  
D. 242,212 11/1976 Parise et al. .... D15/63

Primary Examiner—Susan J. Lucas  
Assistant Examiner—Catherine Kemper  
Attorney, Agent, or Firm—E. H. Oldham

[57] CLAIM

The ornamental design for a suction tool for a liquid dispensing vacuum cleaner, as shown.

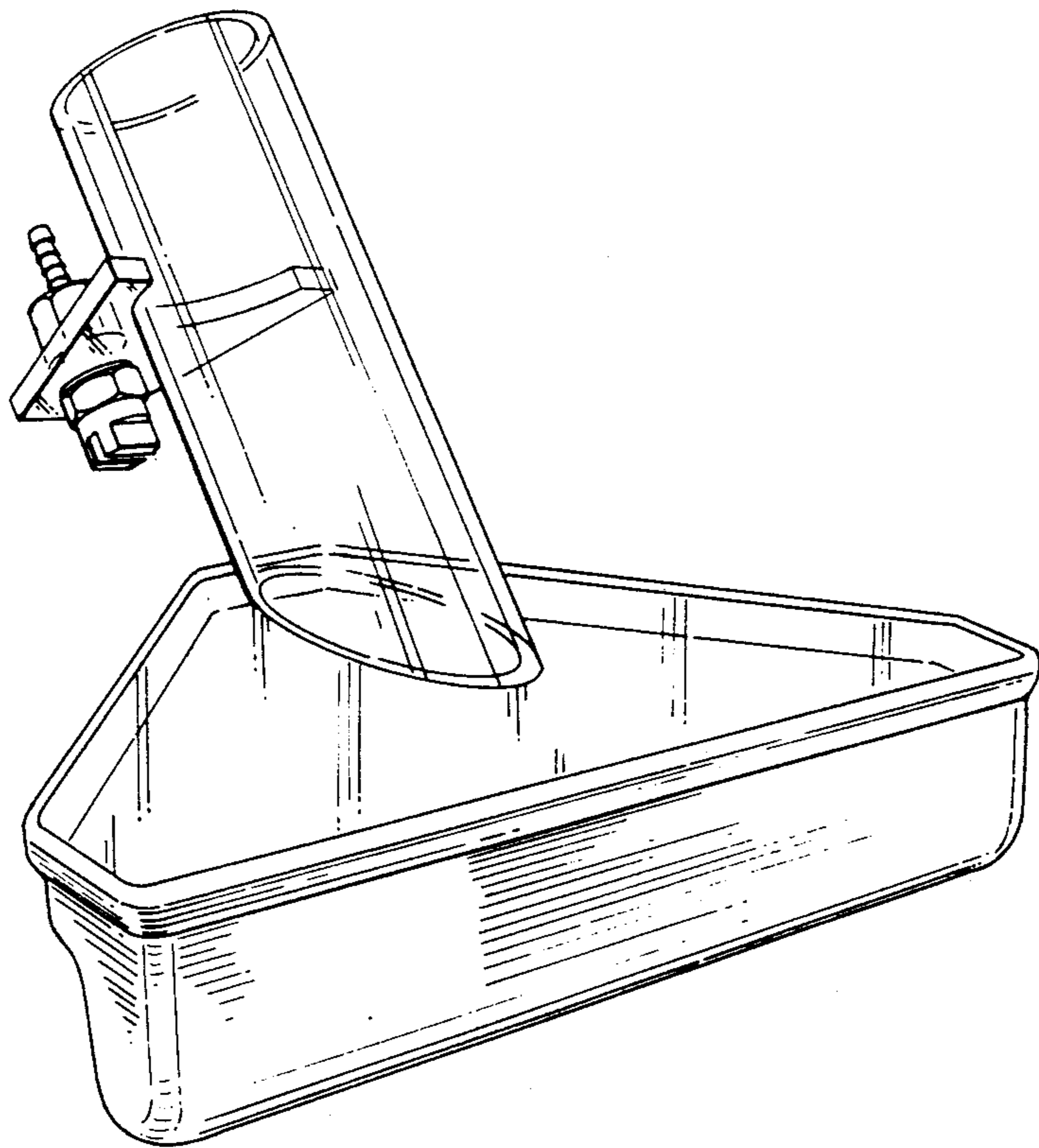
DESCRIPTION

FIG. 1 is a top front perspective view of a suction tool for a liquid dispensing vacuum cleaner, showing my new design.

FIG. 2 is a bottom rear perspective view thereof.

FIG. 3 is a top view thereof.

FIG. 4 is a side view thereof.



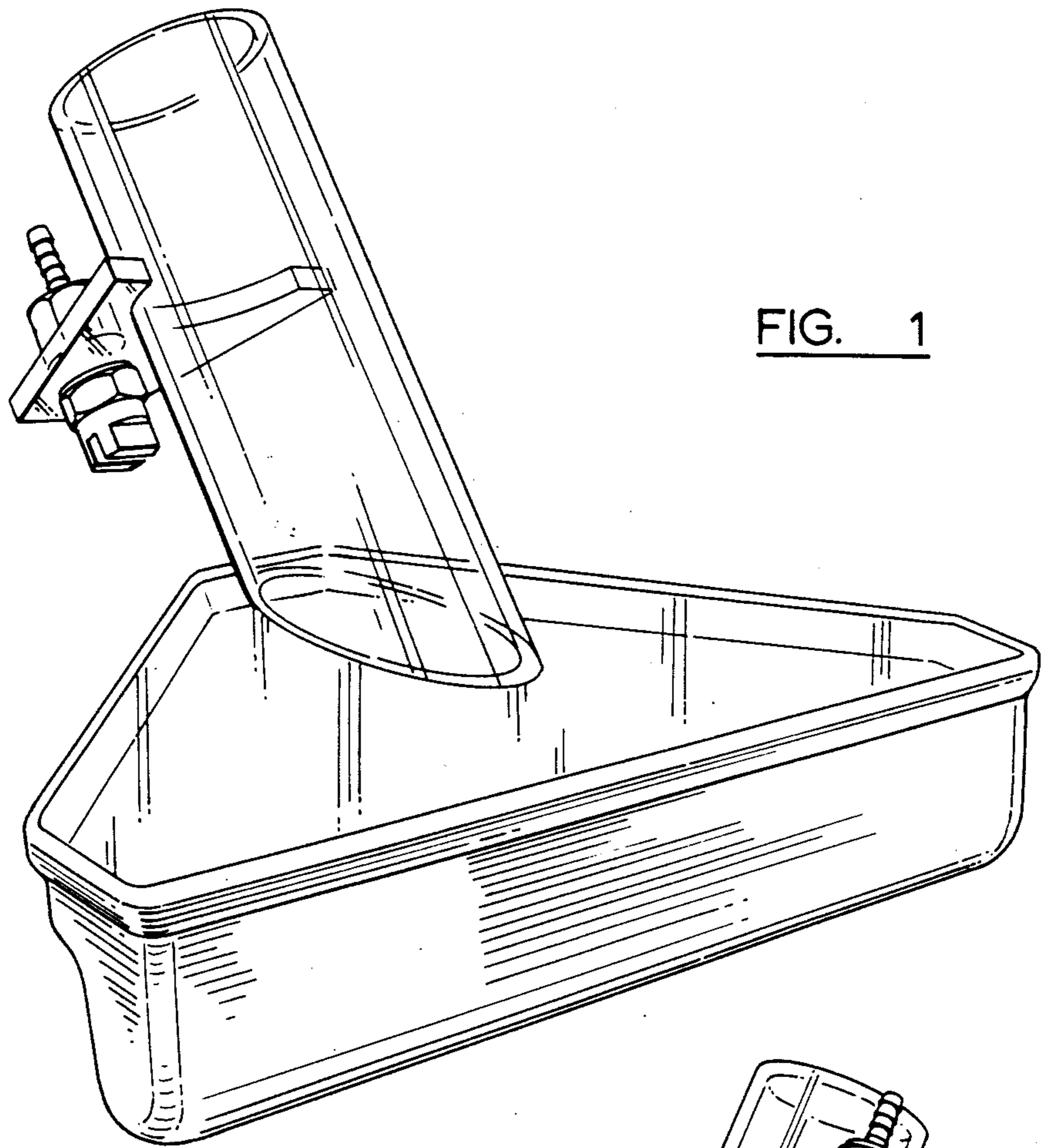


FIG. 1

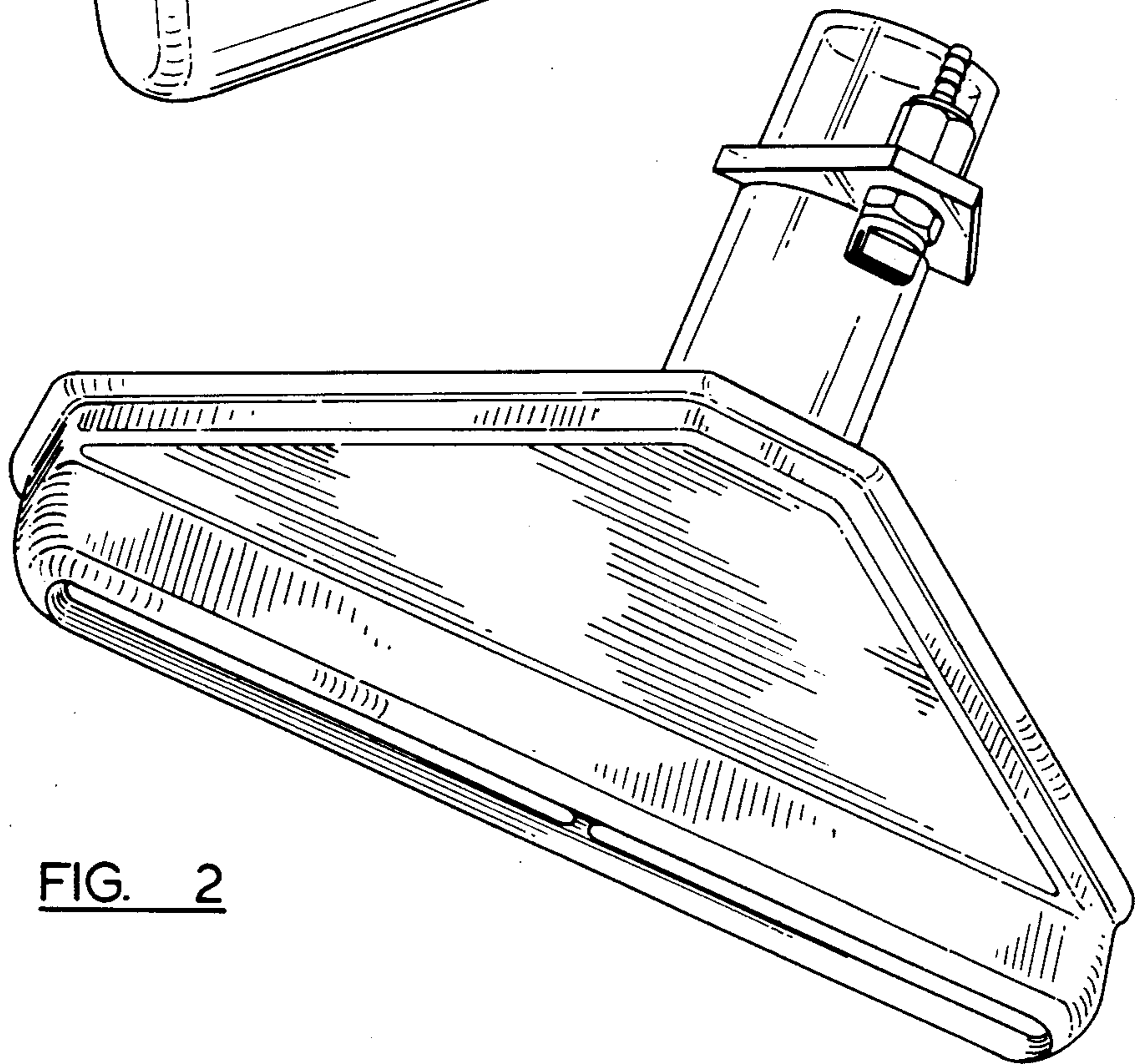


FIG. 2

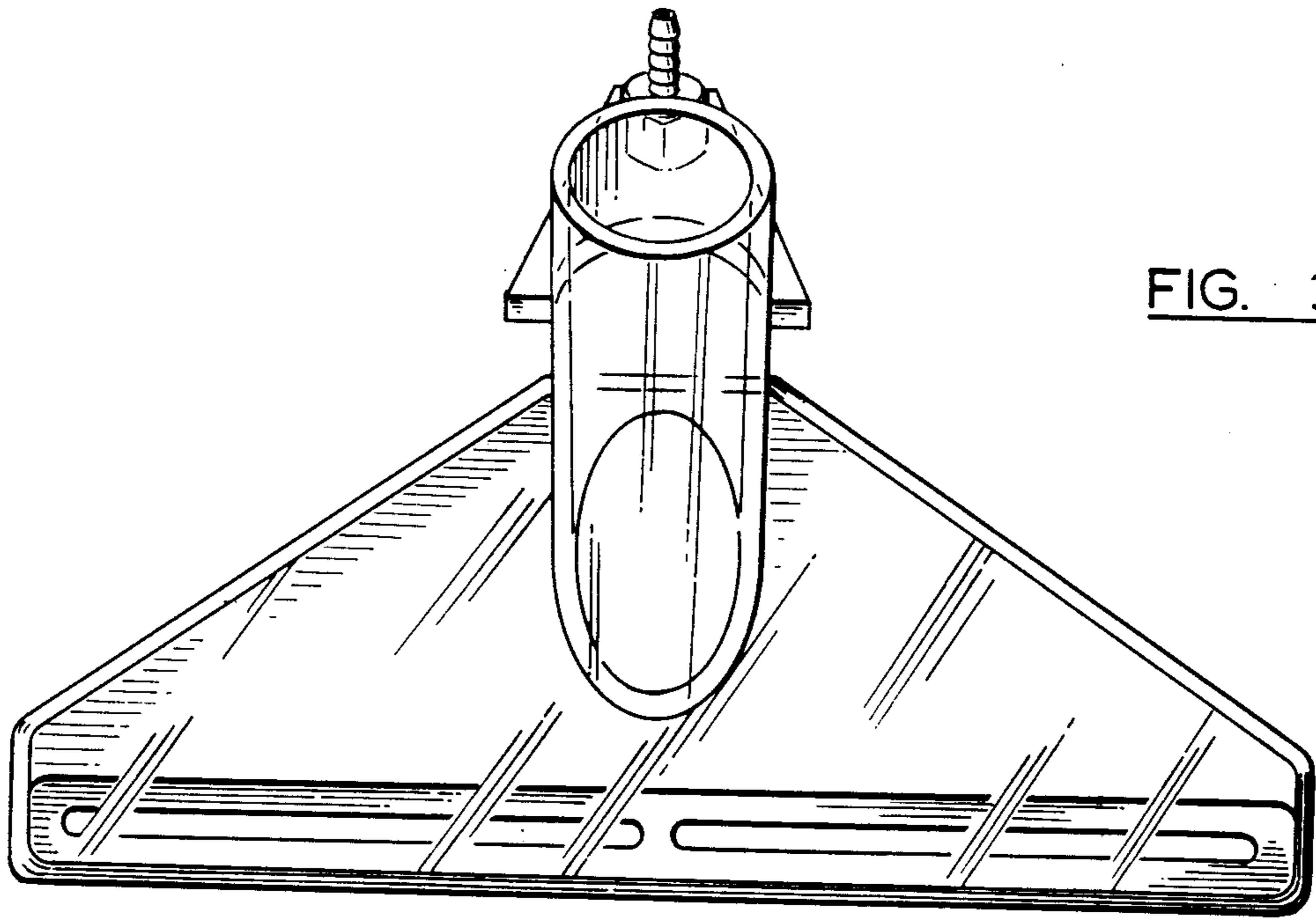


FIG. 3

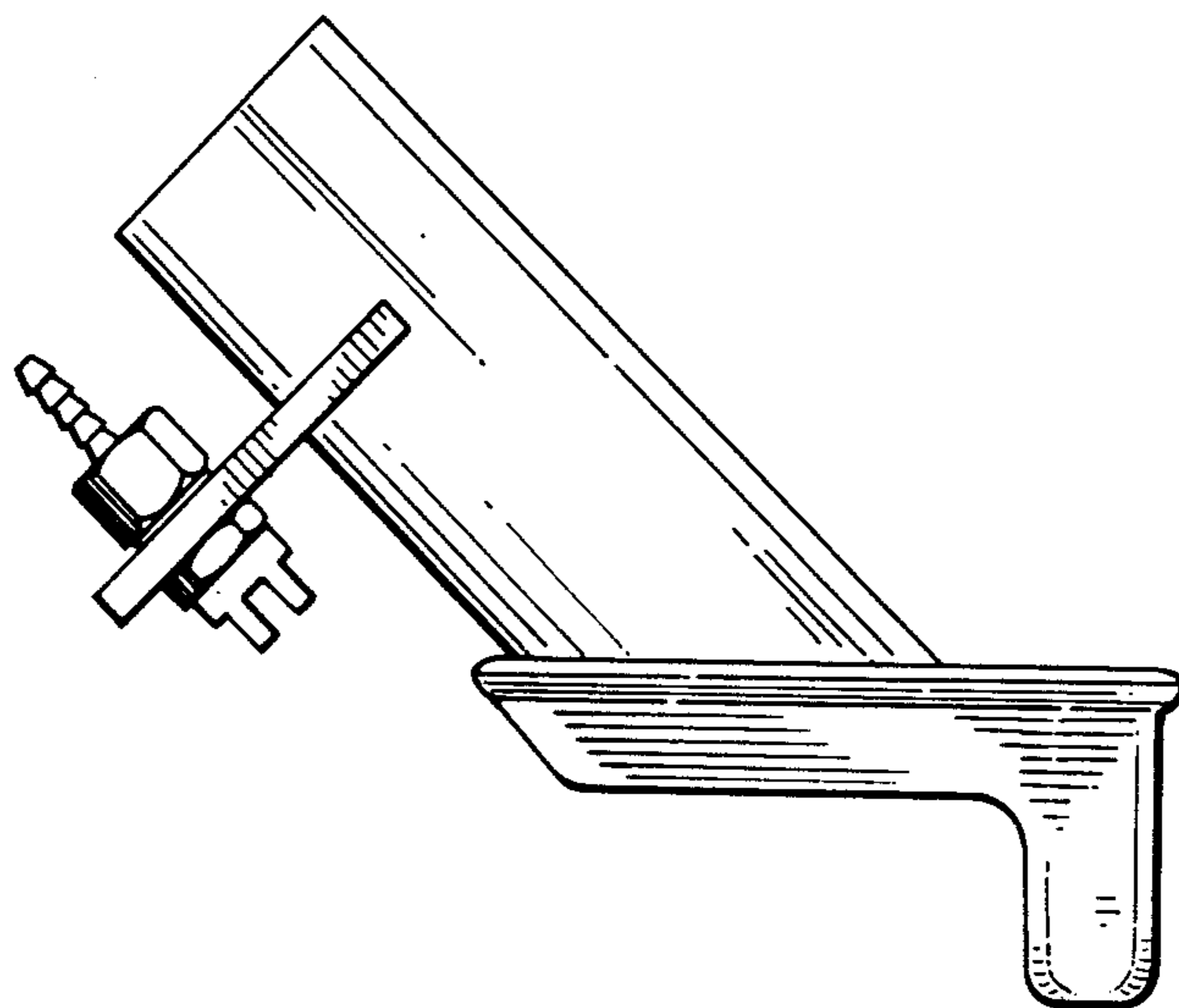


FIG. 4