

[54] COMBINED TURN AND TILT BASE

[56] References Cited

[75] Inventor: Alan F. Antenbring, Broxbourne, England

D. 235,597	7/1975	Loomis .....	D6/85 X
D. 239,996	5/1976	Hampel et al. ....	D6/194
3,462,112	8/1969	Vom Brack et al. ....	248/349
3,486,629	12/1969	Slaga .....	248/349 X

[73] Assignee: International Standard Electric Corporation

Primary Examiner—Susan J. Lucas  
Attorney, Agent, or Firm—Walter J. Baum

[\*\*] Term: 14 Years

[57] CLAIM

The ornamental design for a combined turn and tilt base, substantially as shown and described.

[21] Appl. No.: 806,254

DESCRIPTION

[22] Filed: Jun. 13, 1977

FIG. 1 is a front perspective view of the combined turn and tilt base showing my new design, the keyboard housing and display being shown in broken lines for illustrative purposes only;

[51] Int. Cl. .... D14—02; D6—06

FIG. 2 is a front view of the base of FIG. 1;

[52] U.S. Cl. .... D14/40; D6/20;

FIG. 3 is a top view of the base of FIG. 1;

D6/26; D6/194

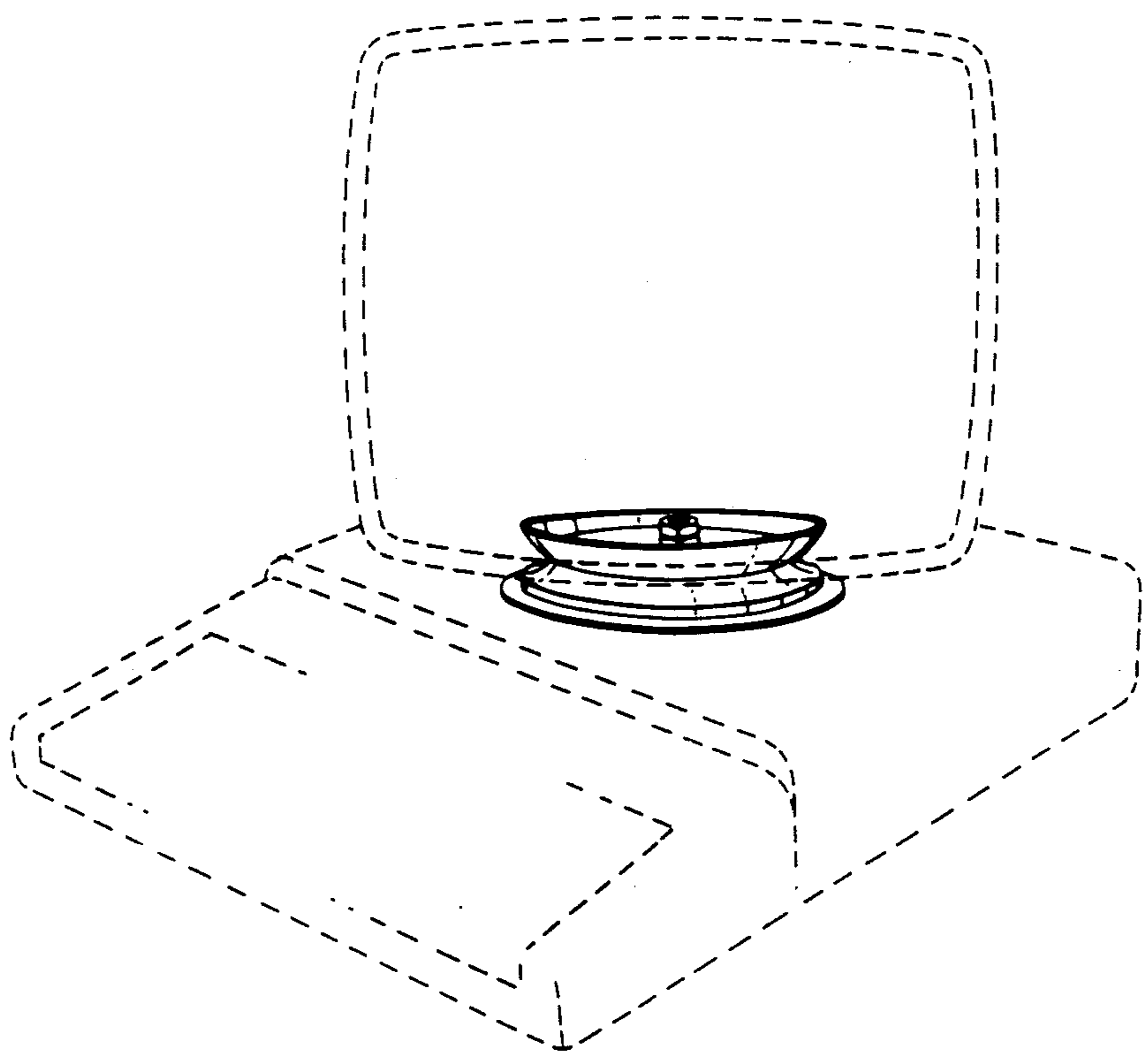
FIG. 4 is a side view of the base of FIG. 1;

[58] Field of Search .... D14/40—49;

FIG. 5 is a rear view of the base of FIG. 1; and

D6/85, 20, 26, 194; D7/2; 248/349; 211/70, 78

FIG. 6 is a bottom view of the base of FIG. 1.



*FIG. 1.*

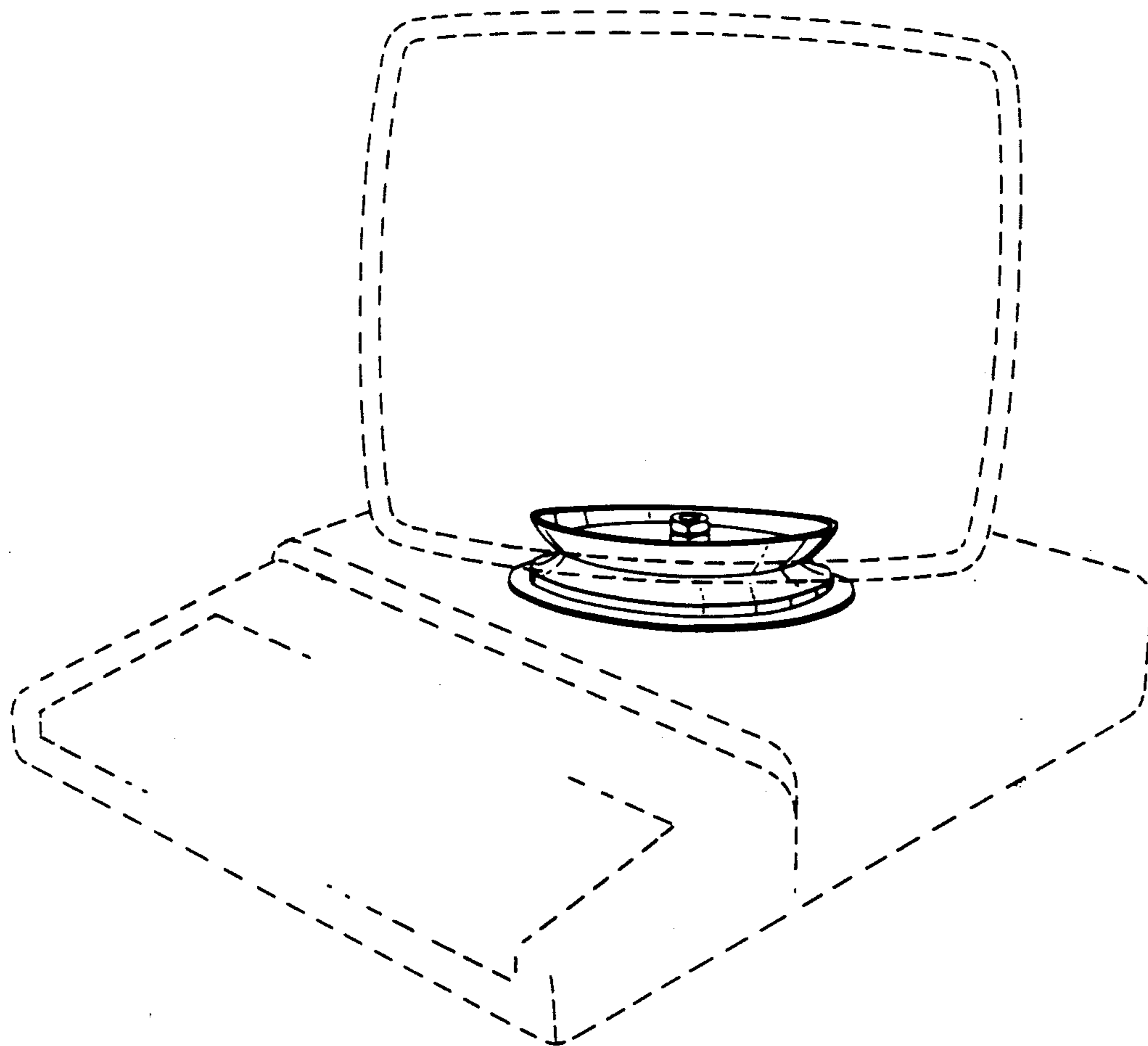


FIG. 2.

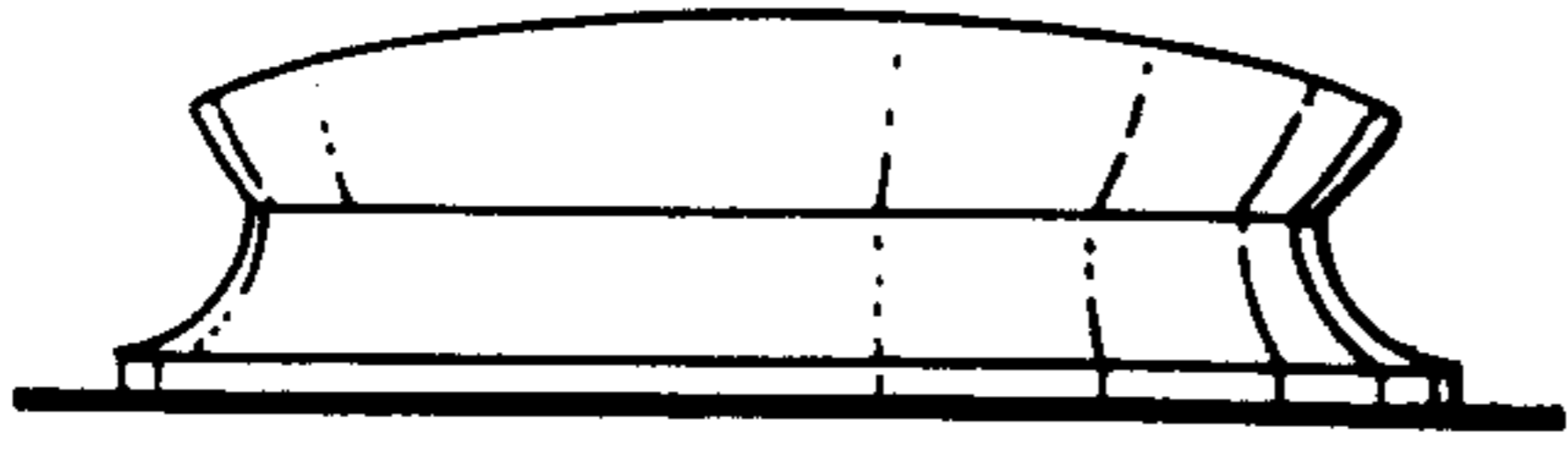


FIG. 3.

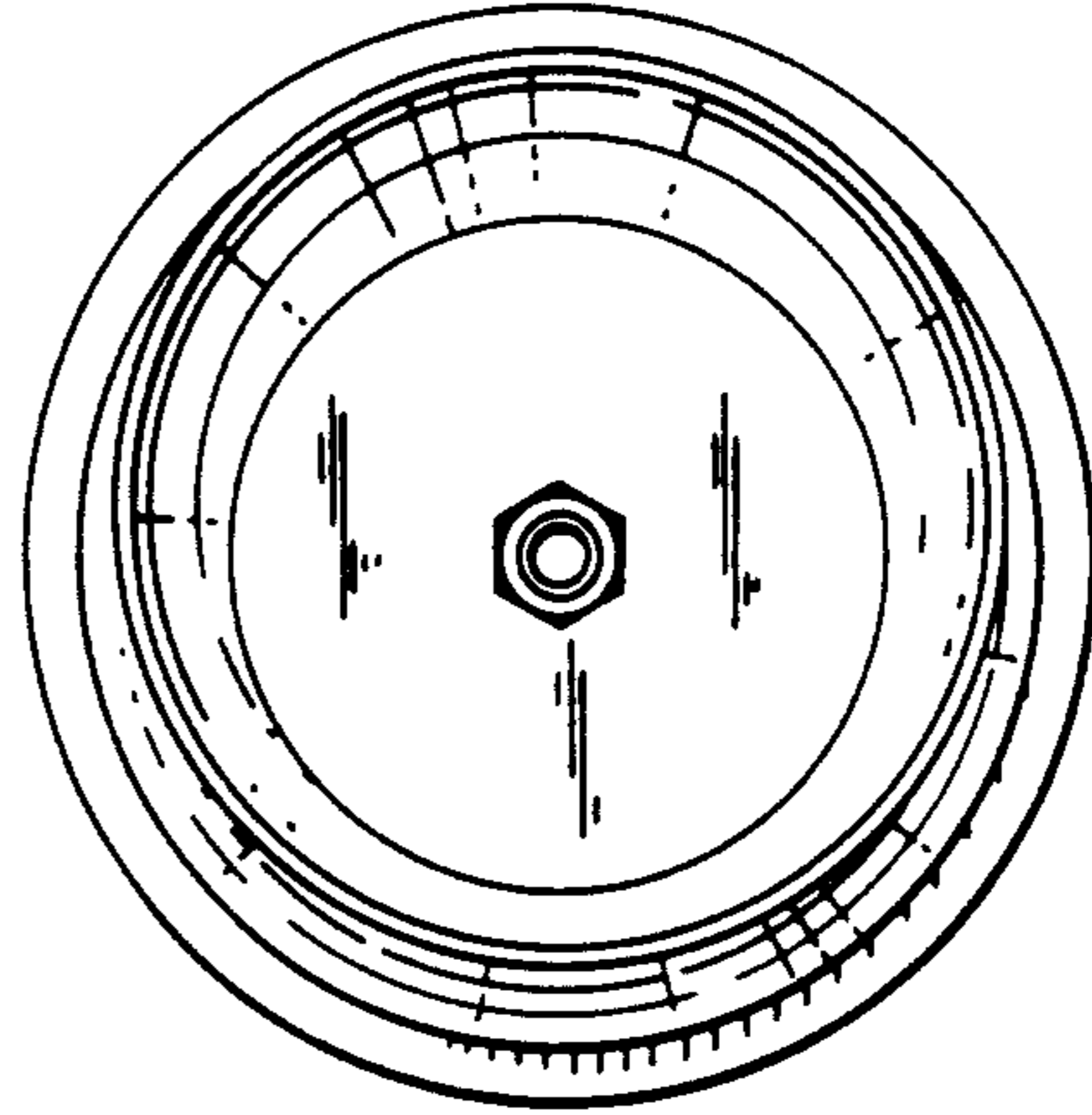


FIG. 4.

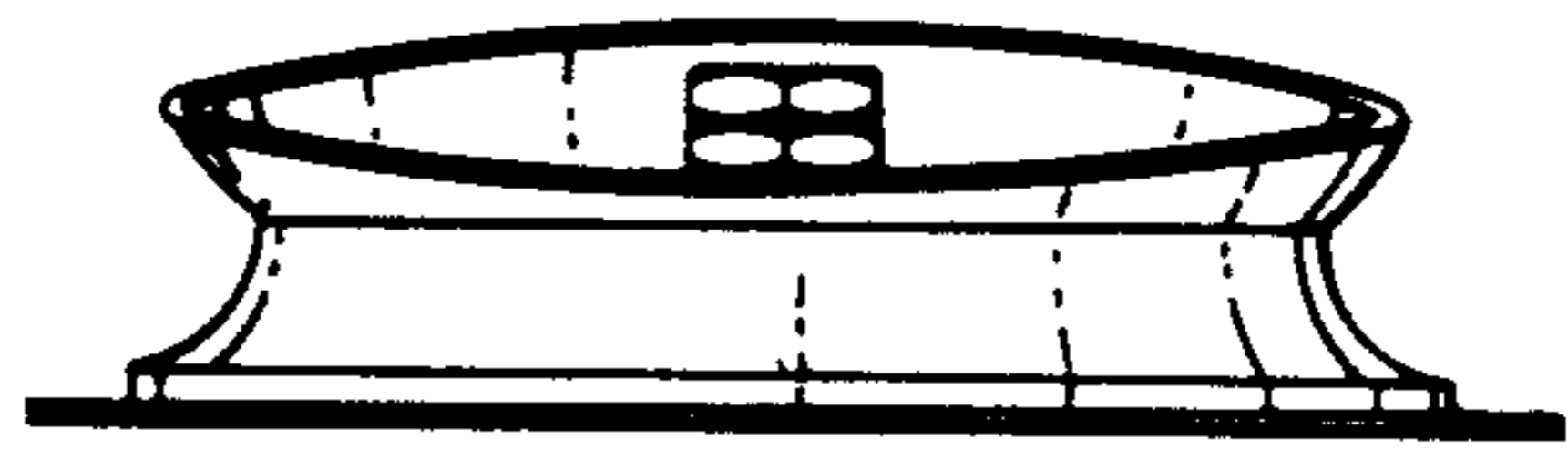
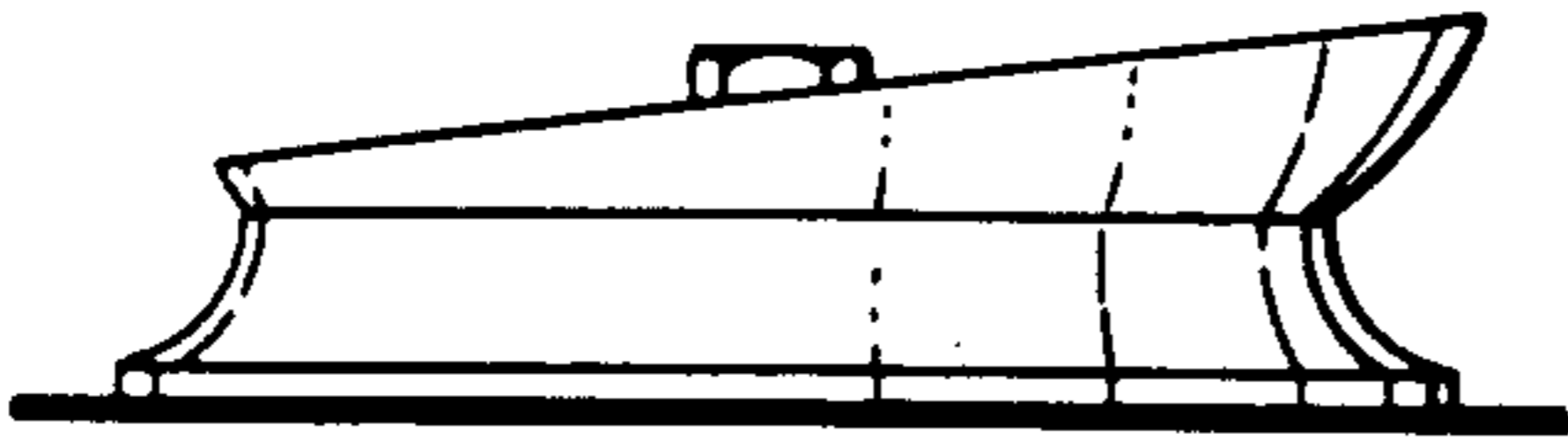


FIG. 5

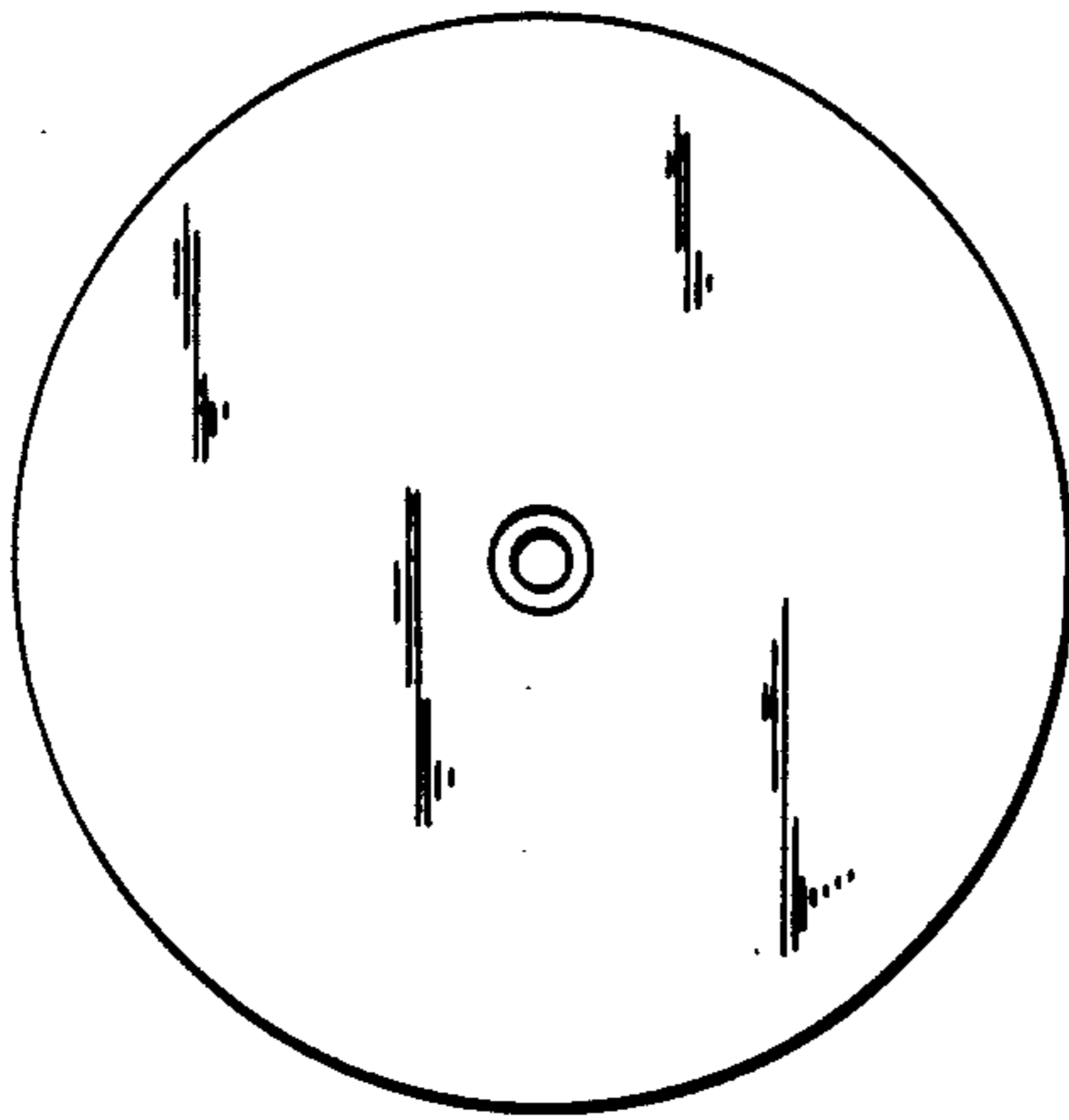


FIG. 6.