

[54] LOUDSPEAKER

[75] Inventor: Hideo Takei, Flushing, N.Y.

[73] Assignee: Matsushita Electric Industrial Co., Ltd., Osaka, Japan

[**] Term: 14 Years

[21] Appl. No.: 813,129

[22] Filed: Jul. 5, 1977

[51] Int. Cl. D14-01; D14-03
[52] U.S. Cl. D14/34
[58] Field of Search 181/198, 144, 199; 179/1 E; D14/33, 34

[56]

References Cited

U.S. PATENT DOCUMENTS

D. 222,676	11/1971	Ishikawa	D14/34
D. 228,139	4/1973	Ishikawa	D14/34
D. 248,471	7/1978	Assai	D14/34
3,967,065	6/1976	Ward	181/148
3,983,333	9/1976	Allison	181/144 X

Primary Examiner—Bernard Ansher
Attorney, Agent, or Firm—Morton Amster

[57]

CLAIM

An ornamental design for a loudspeaker, substantially as shown and described.

DESCRIPTION

FIG. 1 is a front perspective view of a loudspeaker showing my new design;
FIG. 2 is a front elevation thereof;
FIG. 3 is a top plan view thereof; and
FIG. 4 is a cross-section taken on line 4-4 of FIG. 2.

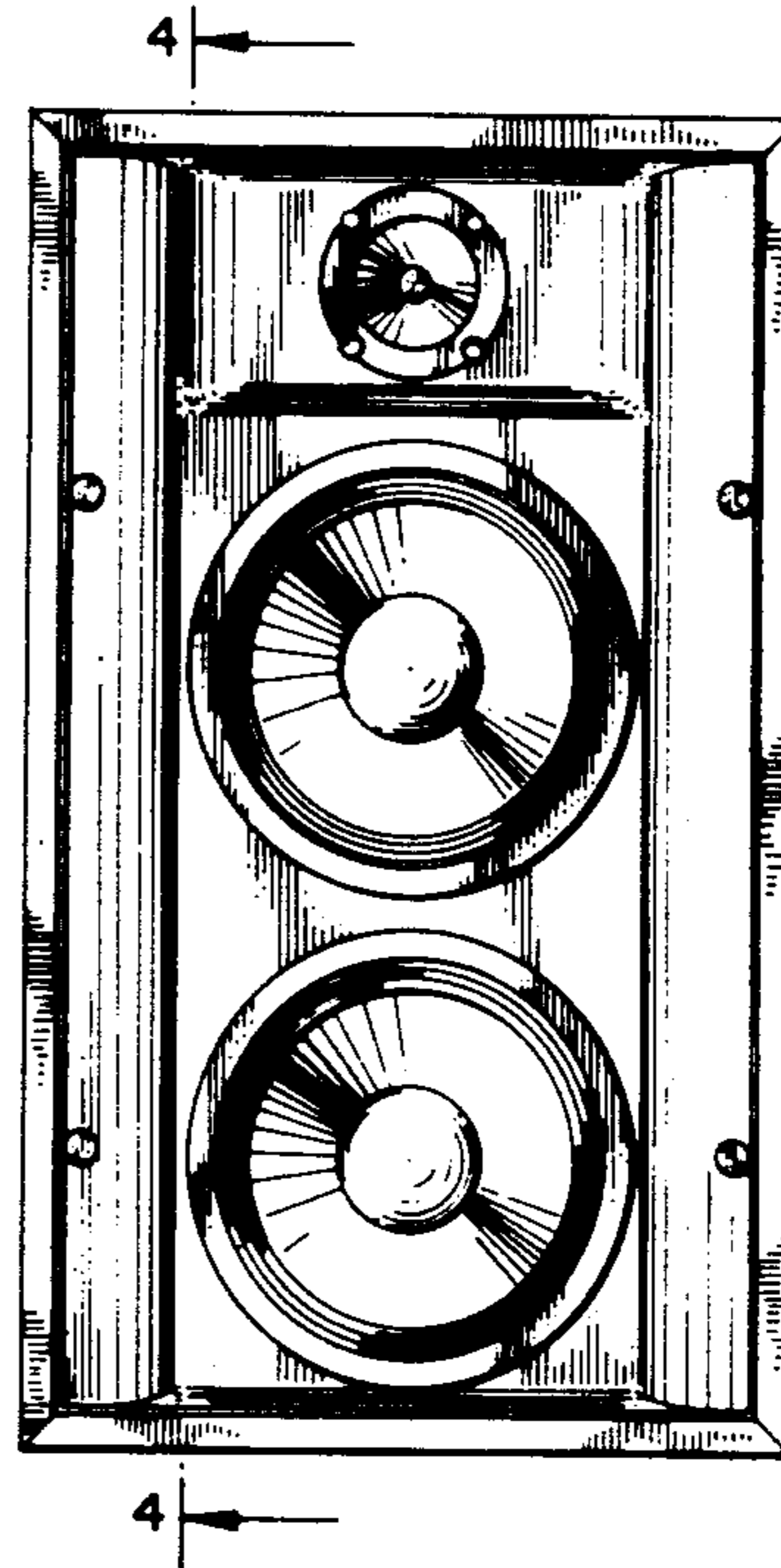
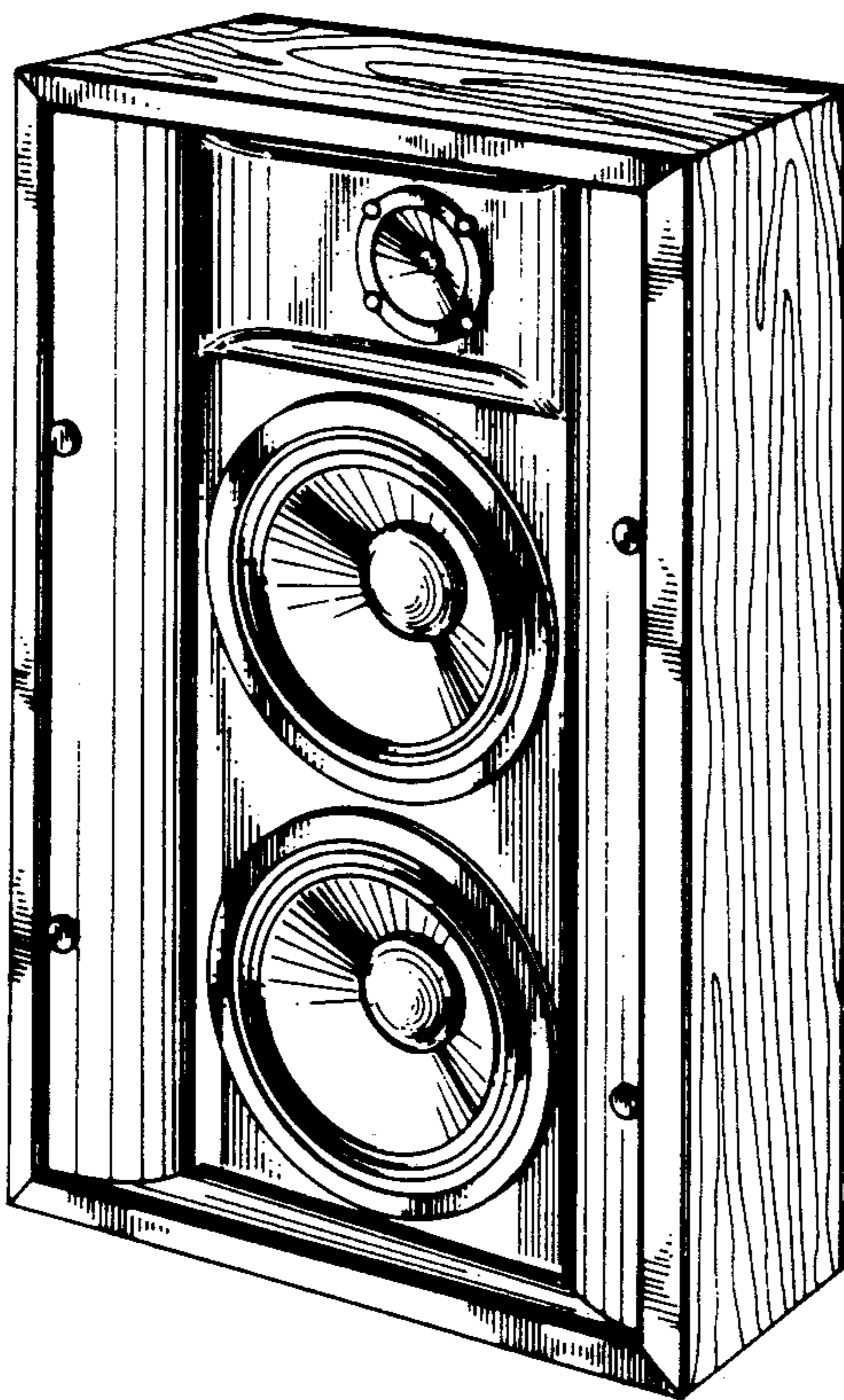


FIG. 1

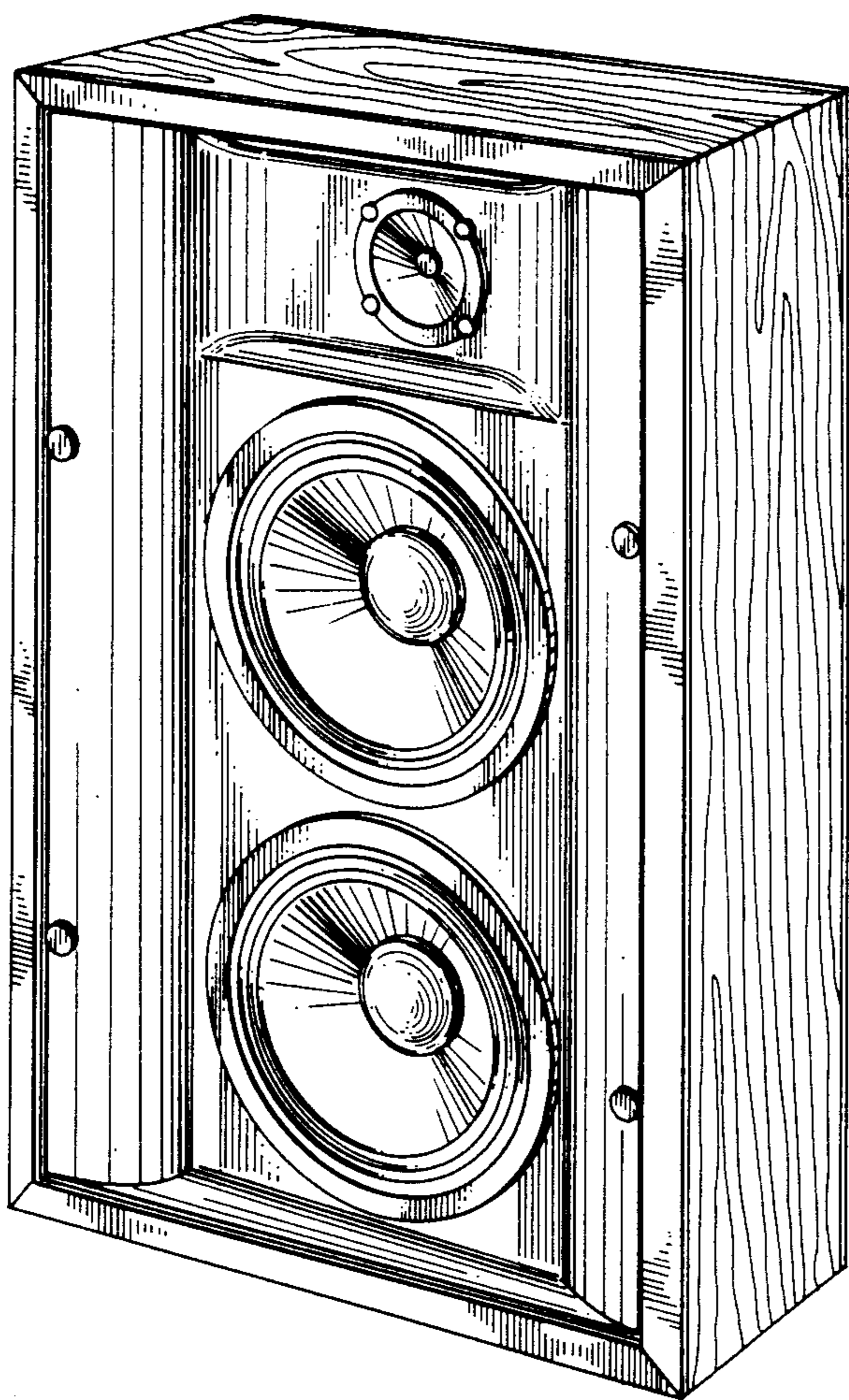


FIG. 2

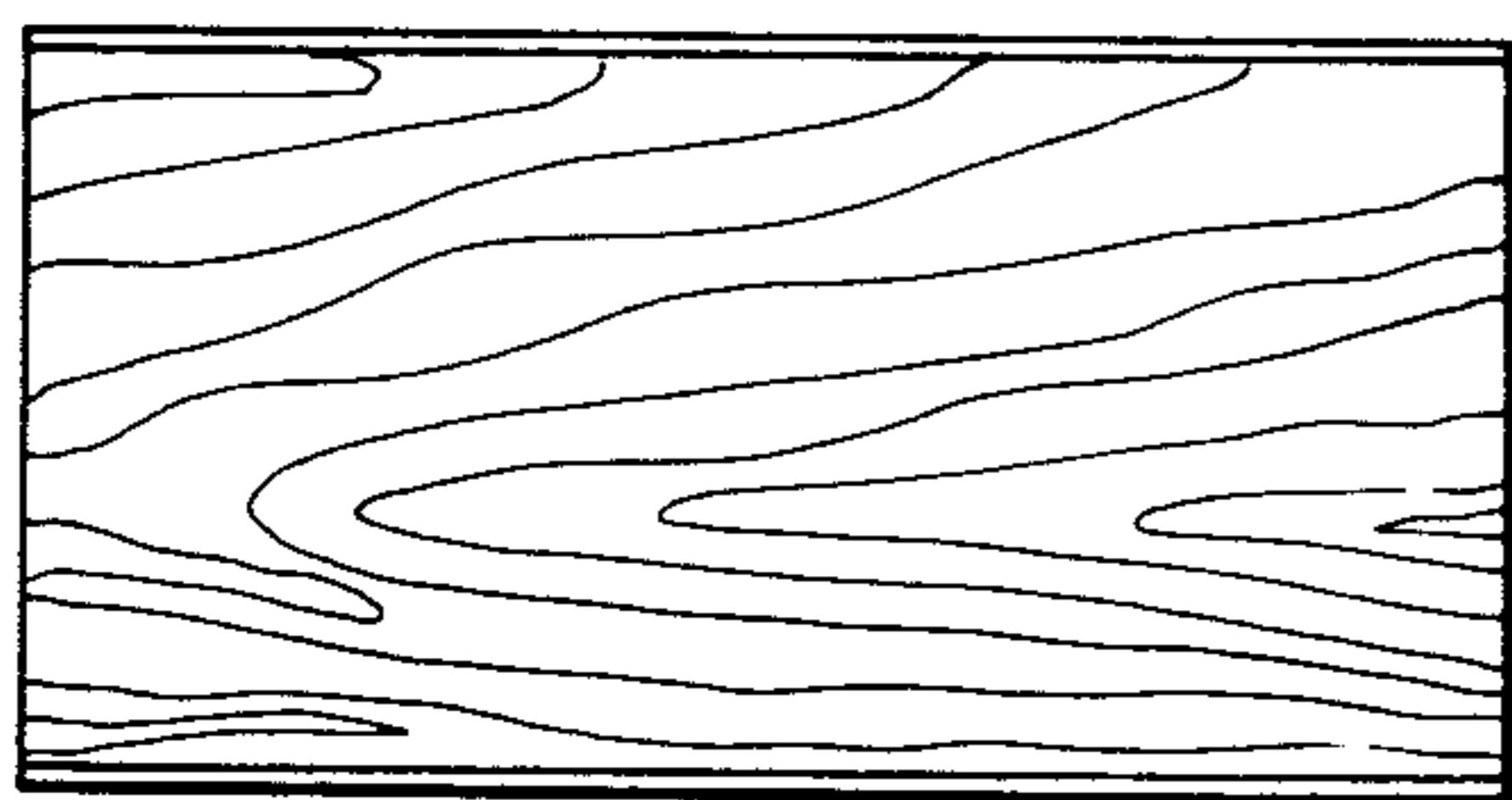
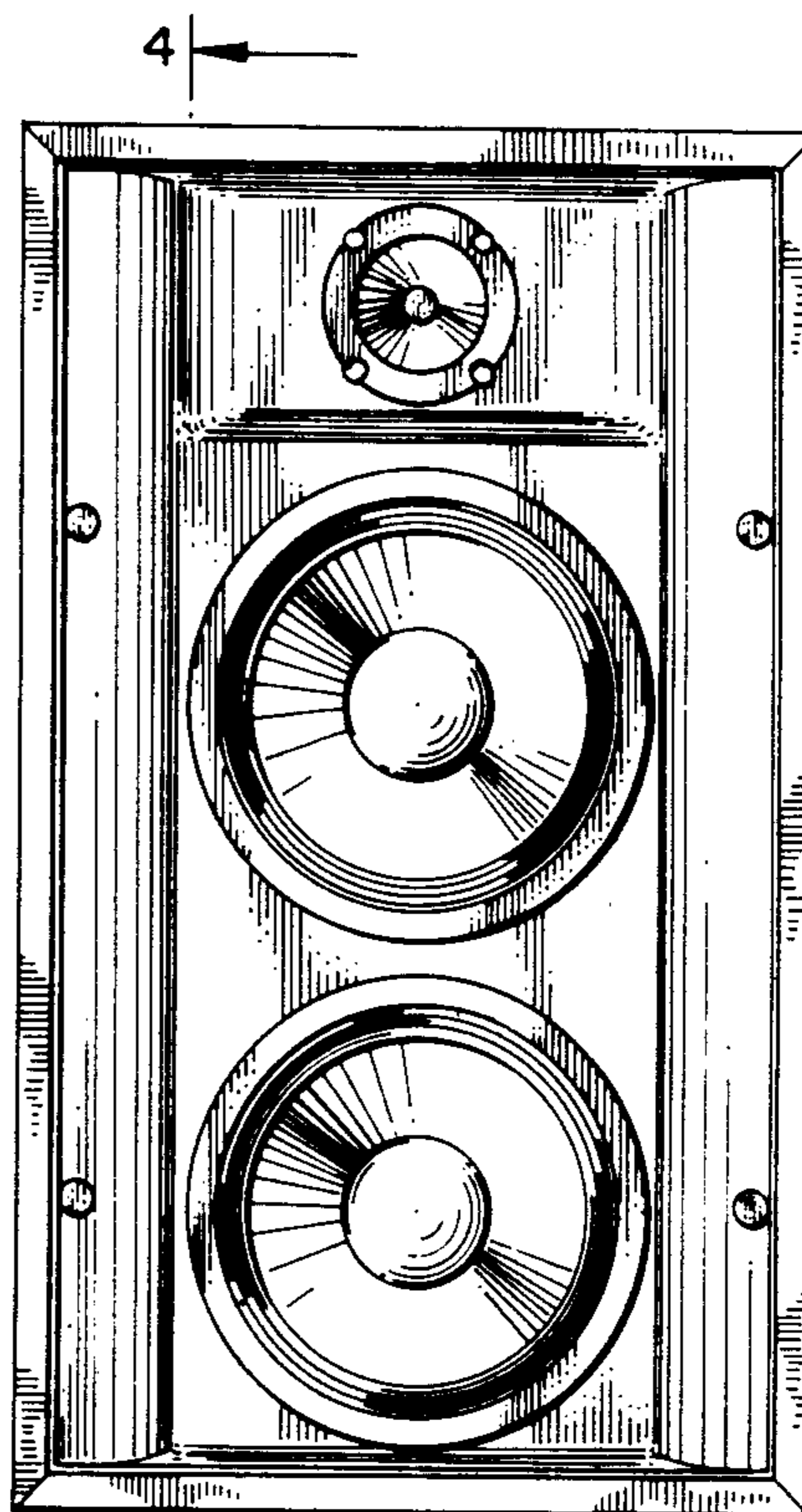


FIG. 3

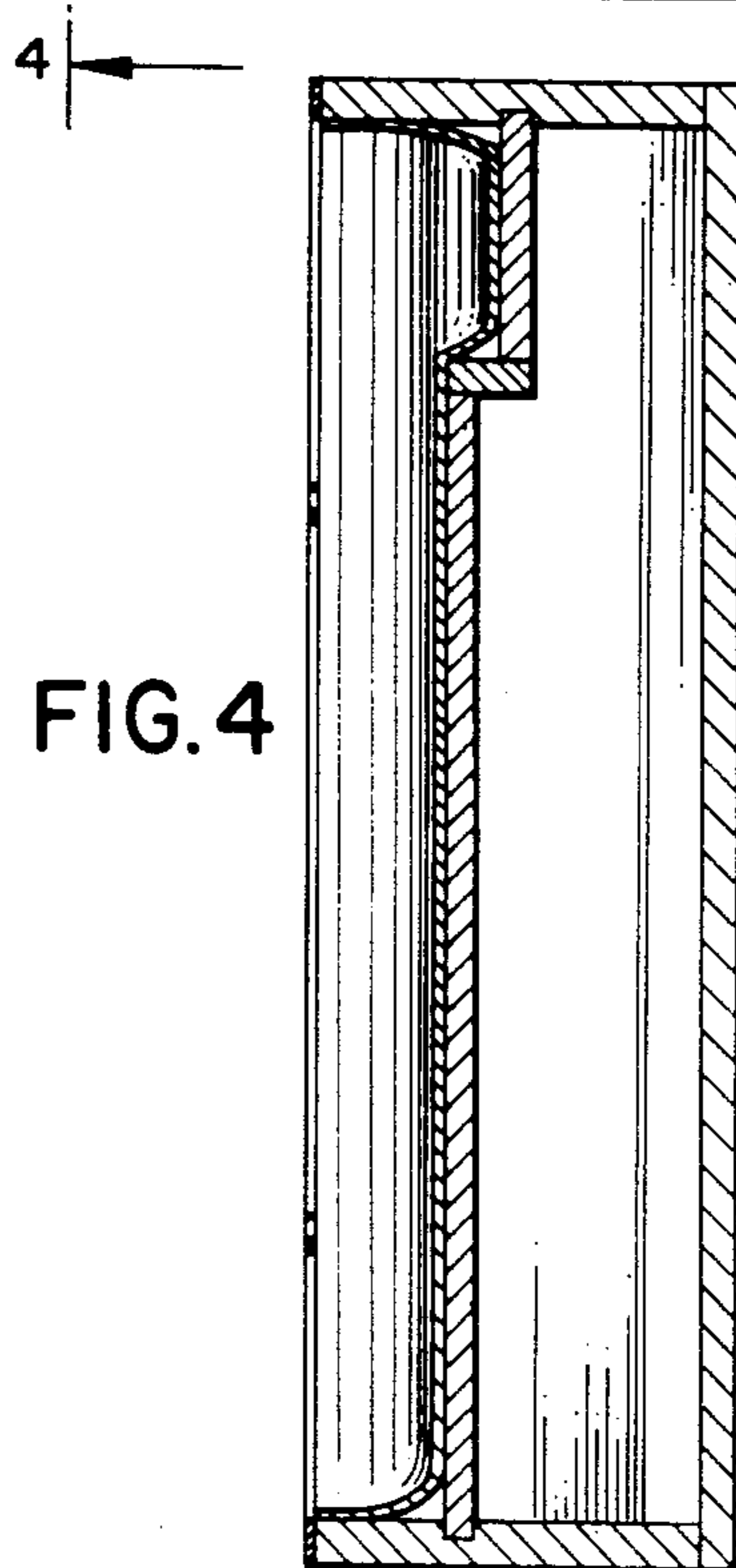


FIG. 4