

[54] **COMMANDO ARMORED TRANSPORTER**

[56]

References Cited

U.S. PATENT DOCUMENTS

[75] Inventor: **James M. Bemiss**, St. Clair Shores, Mich.

D. 216,875 3/1970 Bauer D12/12
D. 219,139 11/1970 Bauer D12/12

[73] Assignee: **Ex-Cell-O Corporation**, Troy, Mich.

Primary Examiner—James M. Gandy
Attorney, Agent, or Firm—James H. Bower

[**] Term: **14 Years**

[57] **CLAIM**

The ornamental design for a commando armored transporter, as shown and described.

[21] Appl. No.: **900,463**

DESCRIPTION

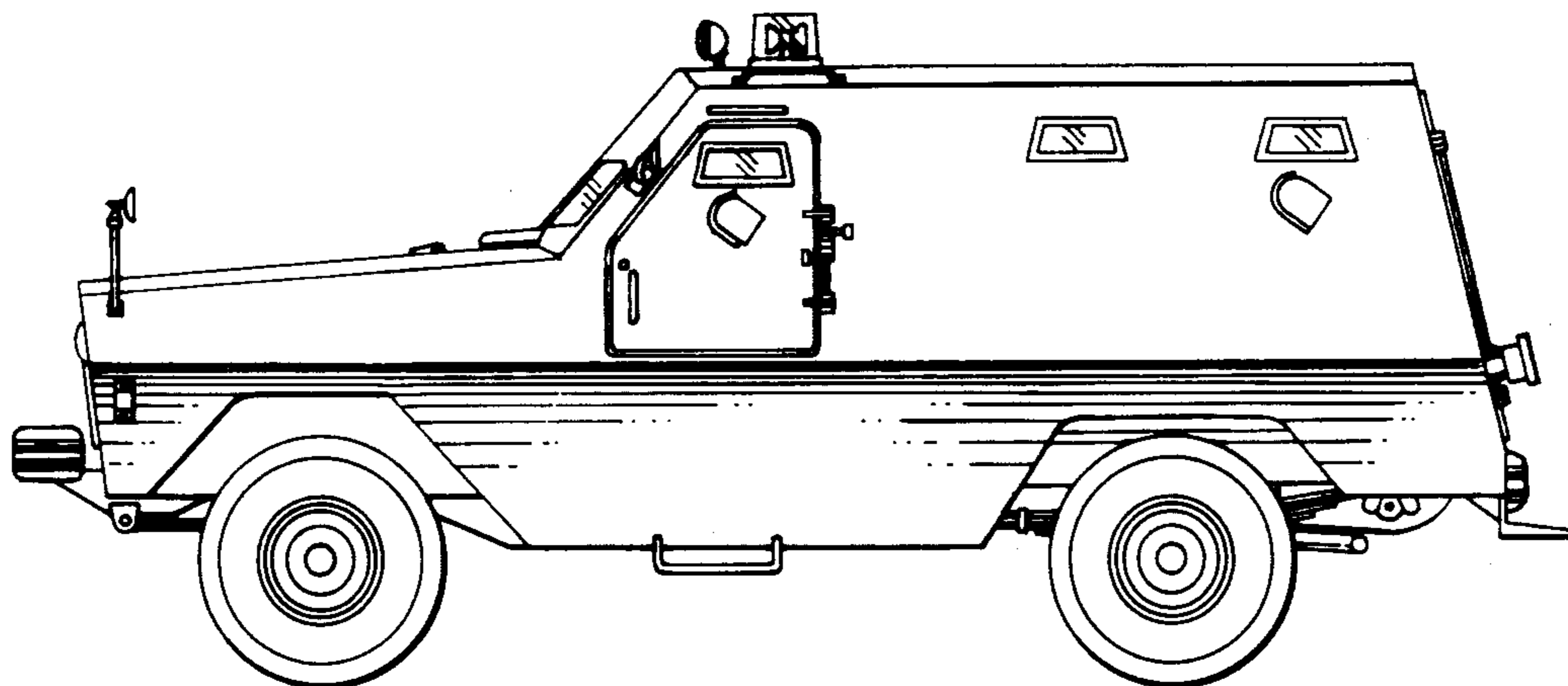
[22] Filed: **Apr. 27, 1978**

FIG. 1 is a side elevational view of a commando armored transporter showing my new design, the opposite side being substantially a mirror image thereof; FIG. 2 is a rear elevational view thereof; FIG. 3 is a top plan view thereof; and FIG. 4 is a front elevational view thereof.

[51] Int. Cl. **D12-13**

[52] U.S. Cl. **D12/12**

[58] Field of Search **D12/12; 89/36 H, 40 B**



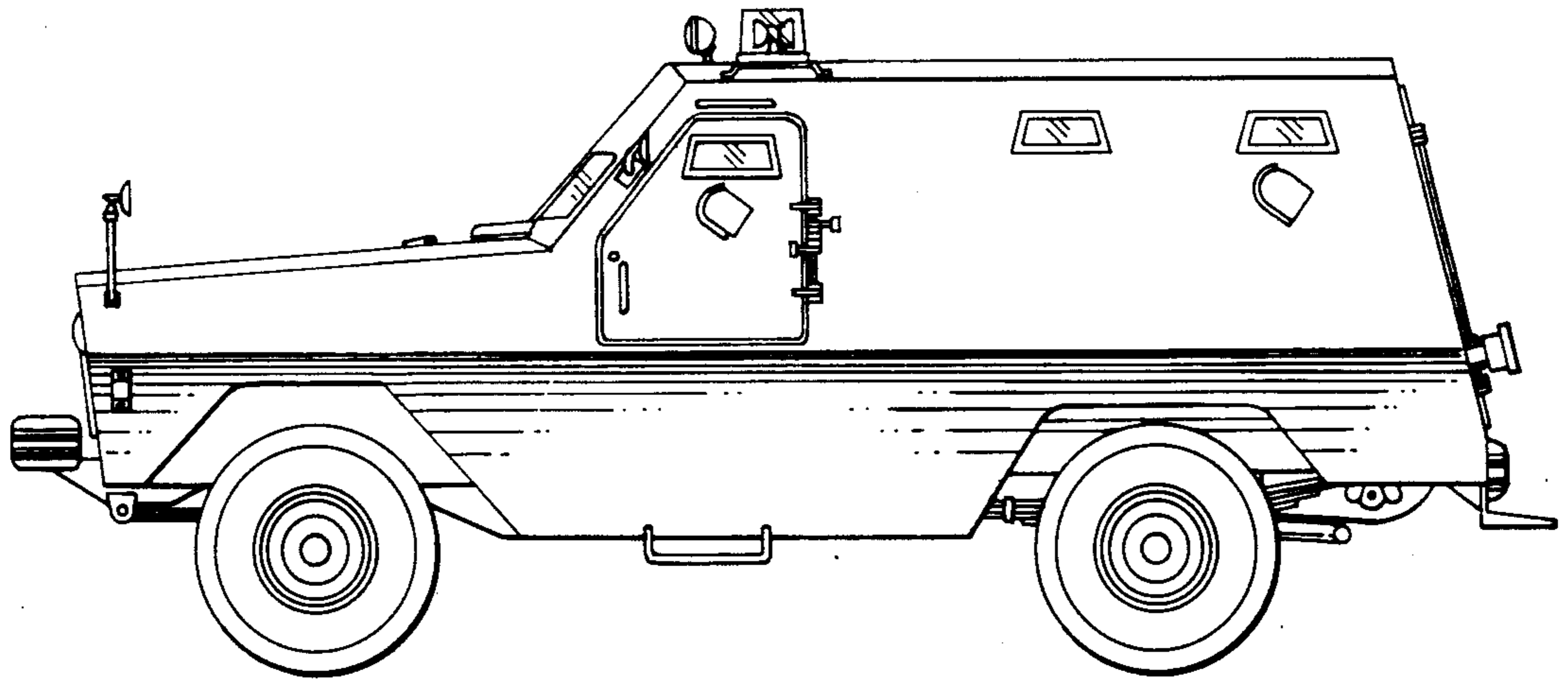


FIG. 1

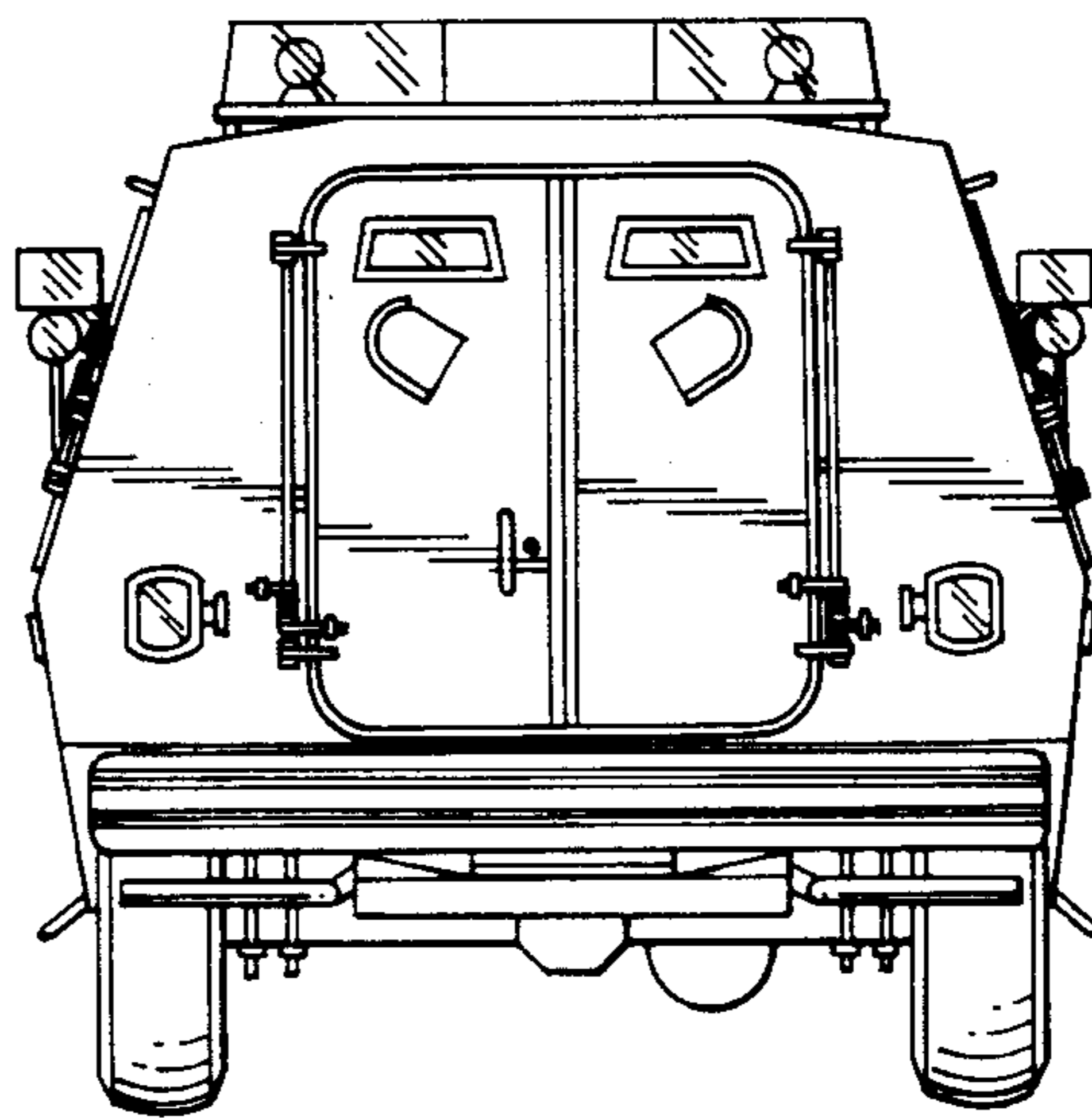


FIG. 2

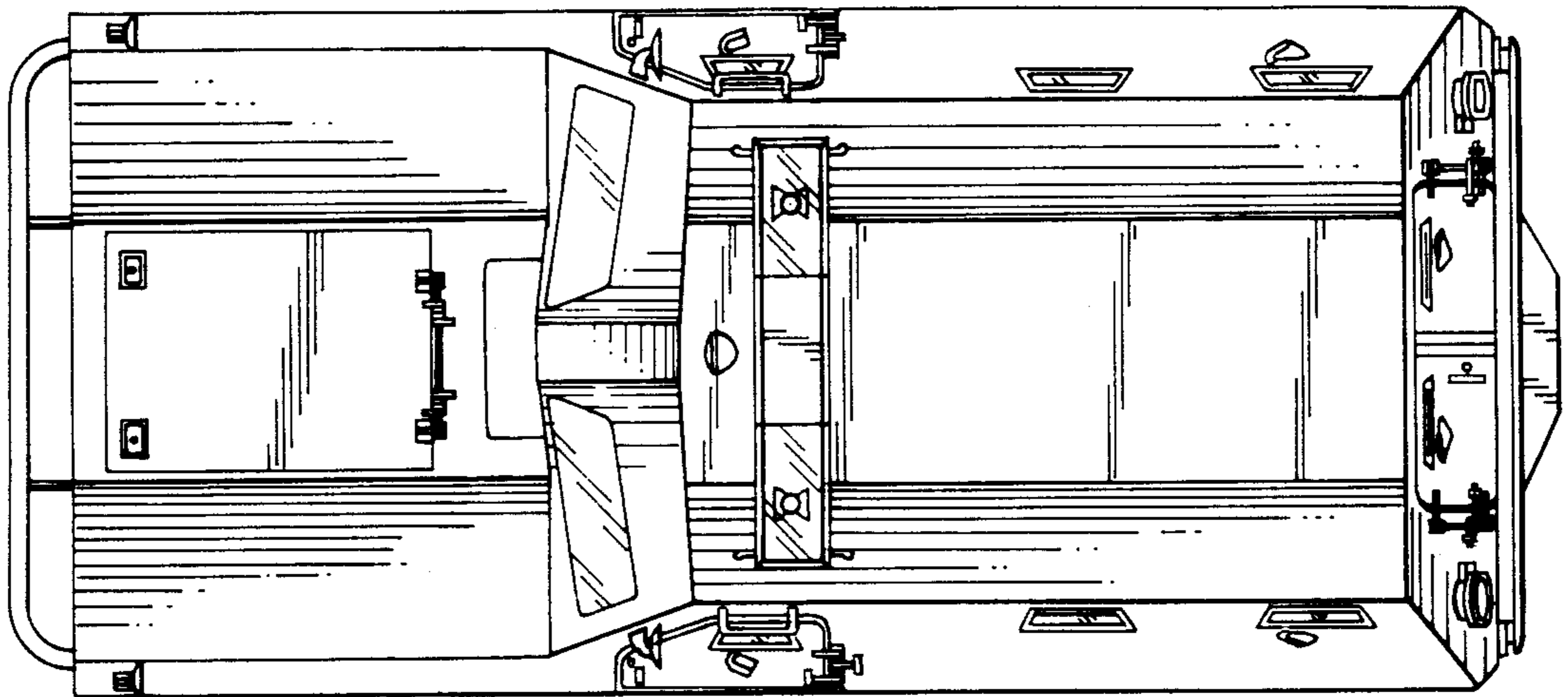


FIG. 3

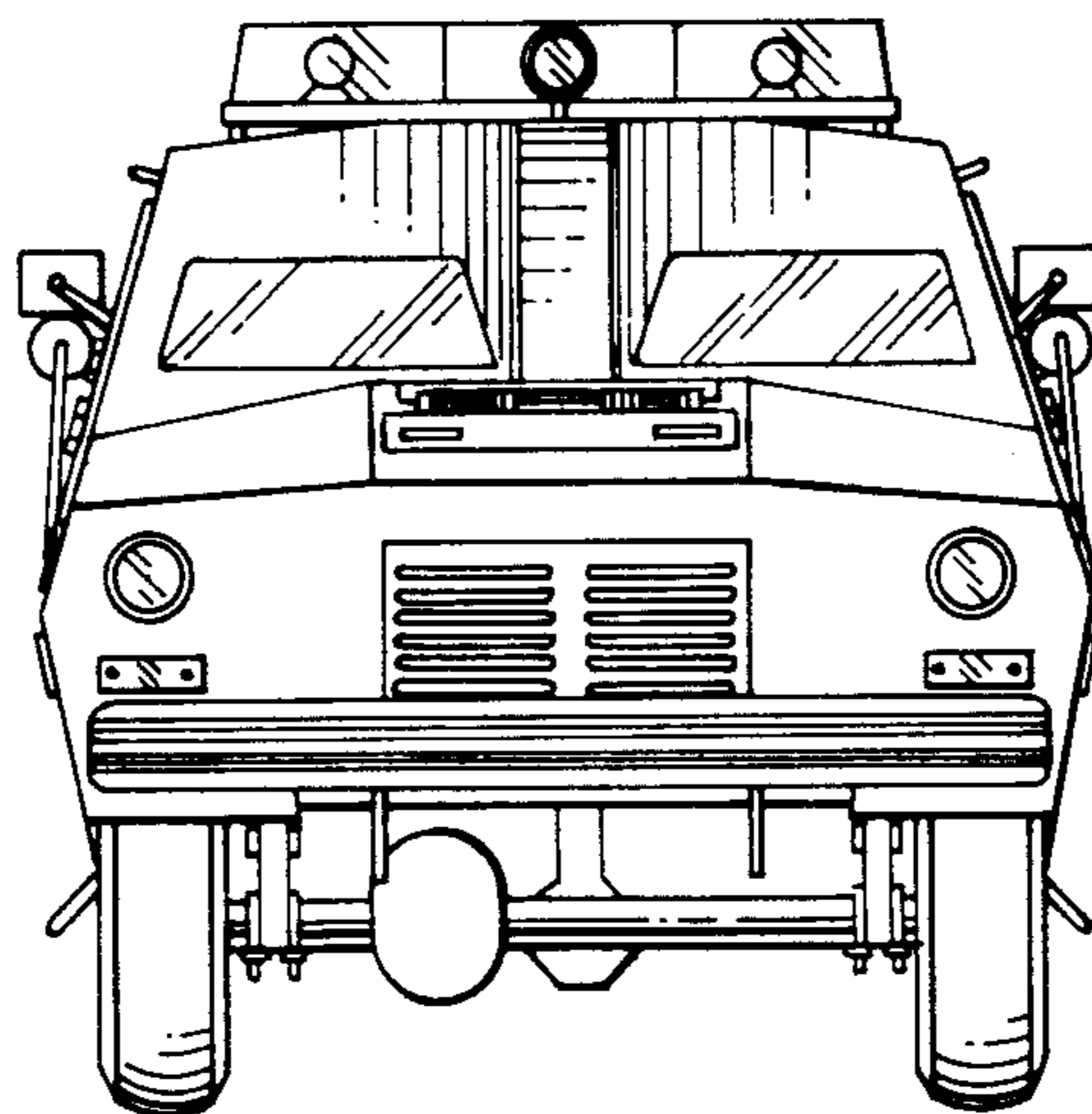


FIG. 4