

[54] **FOUR WAY CORNER LEVEL**

[75] Inventor: **Robert H. Vanderwerf**, San Rafael, Calif.

[73] Assignee: **Vy-Dawn, Inc.**, San Rafael, Calif.

[**] Term: **14 Years**

[21] Appl. No.: **811,538**

[22] Filed: **Jun. 30, 1977**

[51] Int. Cl. **D10-04**

[52] U.S. Cl. **D10/69**

[58] Field of Search **D10/61, 62, 64, 65, D10/69, 74; 33/86, 88, 382**

[56] **References Cited**

U.S. PATENT DOCUMENTS

- D. 189,590 1/1961 White D10/62
- D. 238,153 12/1975 Johnson D10/69

1,210,370	12/1916	Dvorak	33/88
2,286,669	6/1942	Carr	33/86
2,906,031	9/1959	Rice	33/382
3,303,569	2/1967	Wyatt	33/382
3,545,091	12/1970	Sebastiani	33/382
3,820,249	6/1974	Stone	33/382

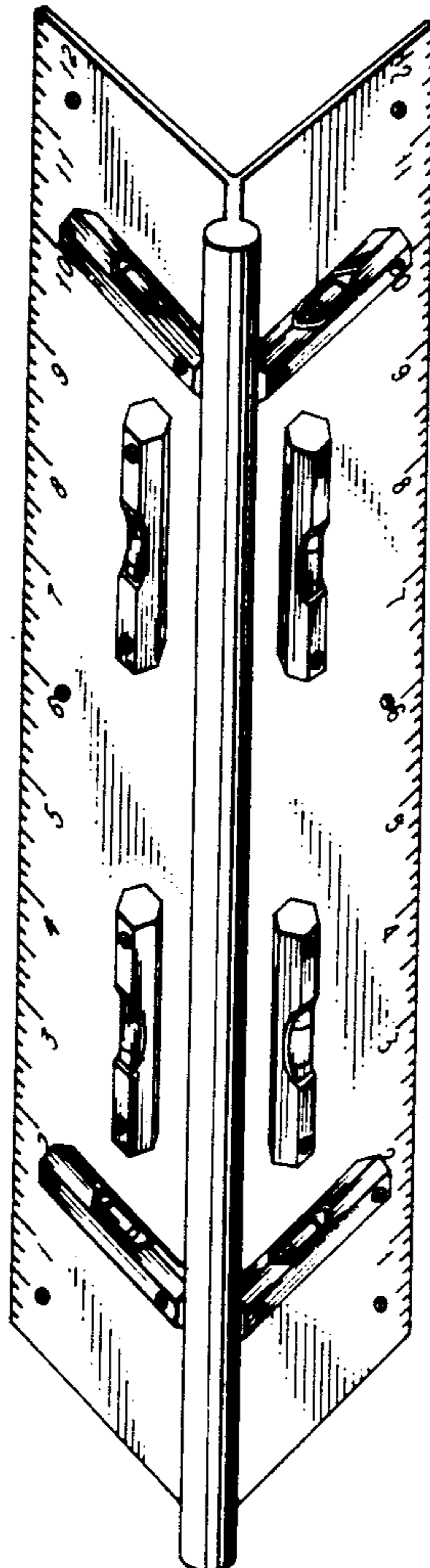
Primary Examiner—Nelson C. Holtje
Attorney, Agent, or Firm—Neil F. Markva

[57] **CLAIM**

The ornamental design for a four way corner level, as shown and described.

DESCRIPTION

FIG. 1 is a front perspective view of a four way corner level showing my new design;
 FIG. 2 is a rear perspective view thereof;
 FIG. 3 is a left side perspective view thereof;
 FIG. 4 is a right side perspective view thereof;
 FIG. 5 is a top plan view thereof;
 FIG. 6 is a bottom plan view thereof.



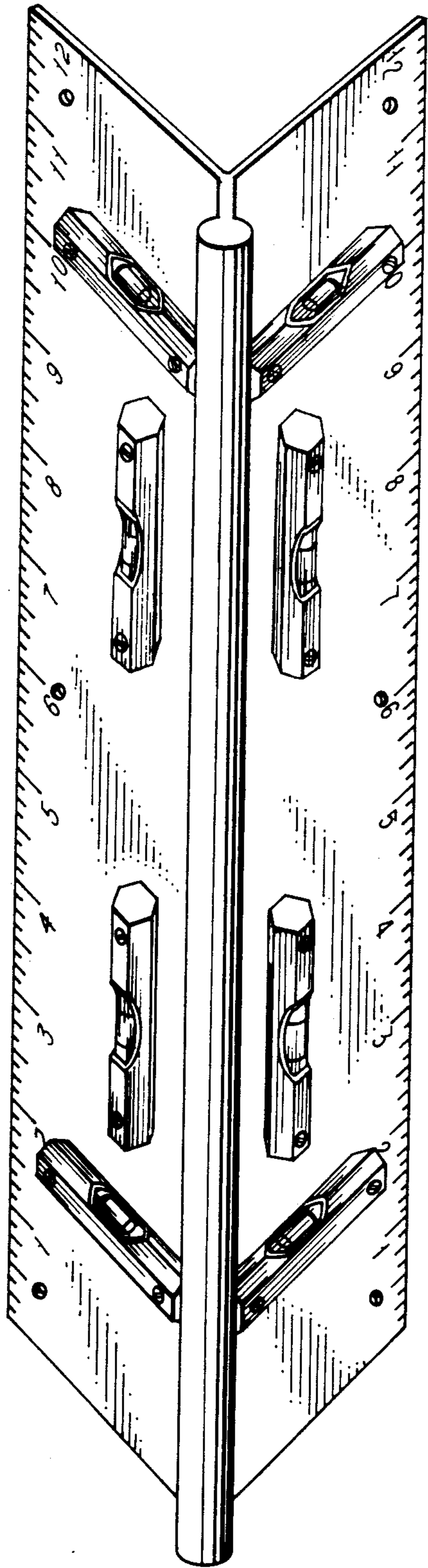


FIG. 1

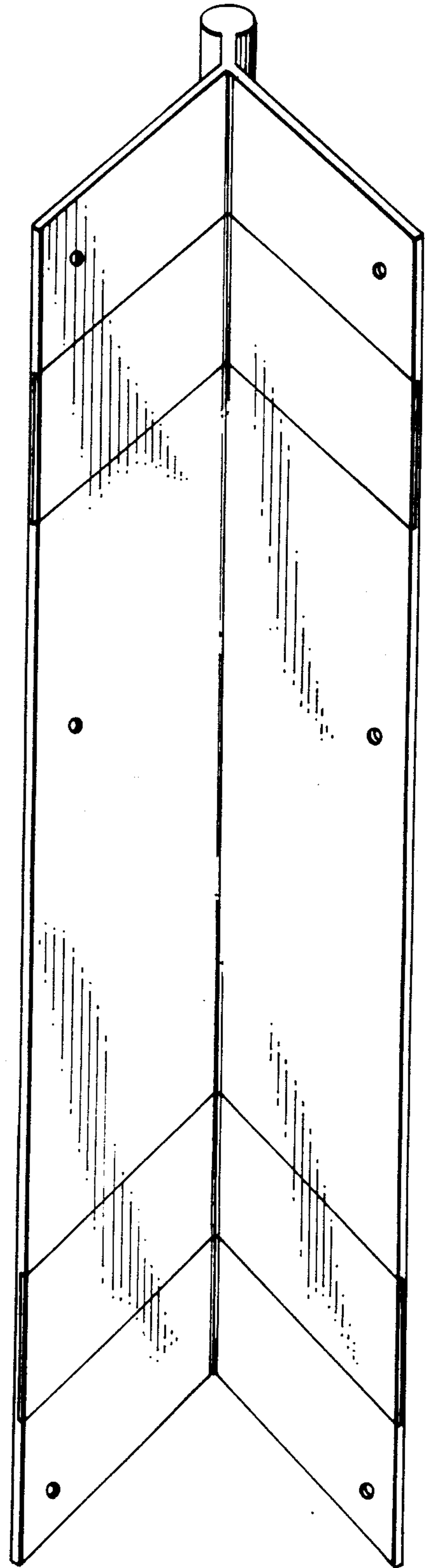


FIG. 2

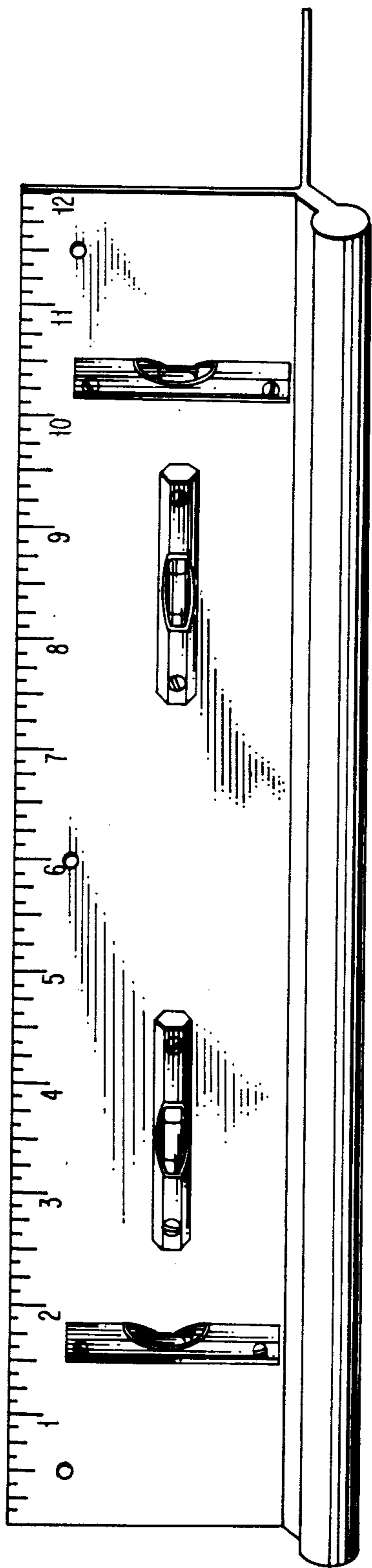


FIG. 3

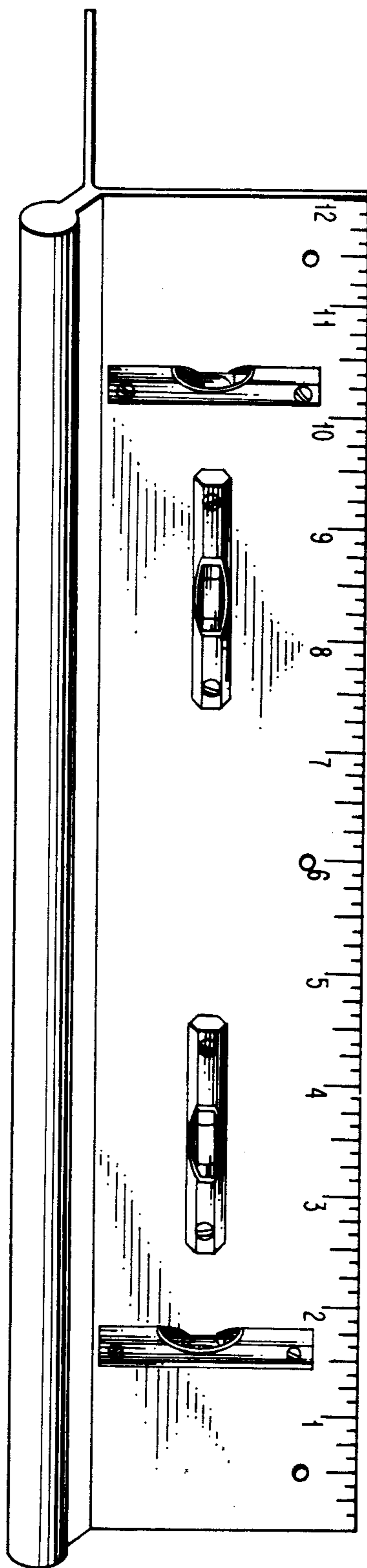


FIG. 4

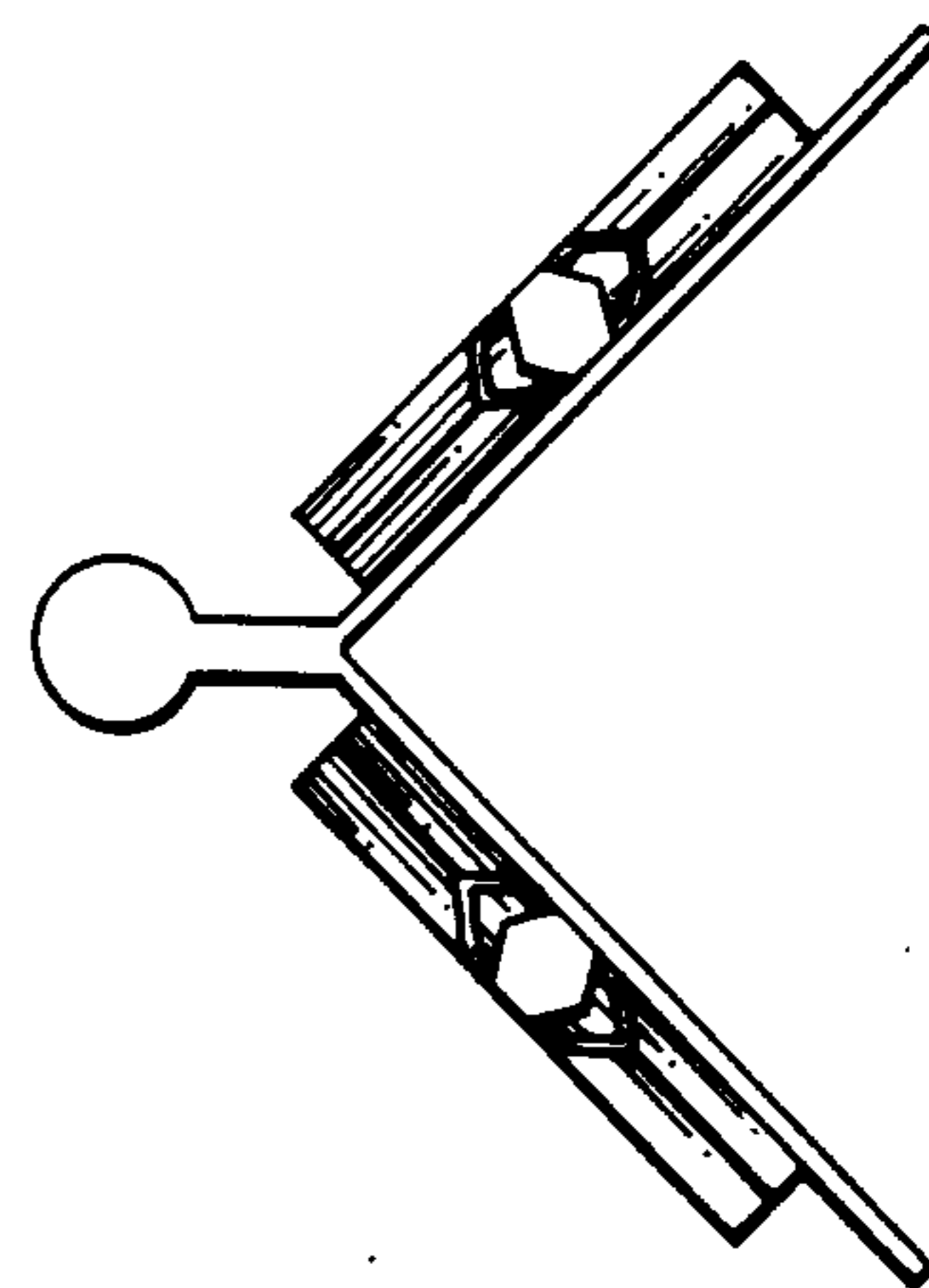


FIG. 5

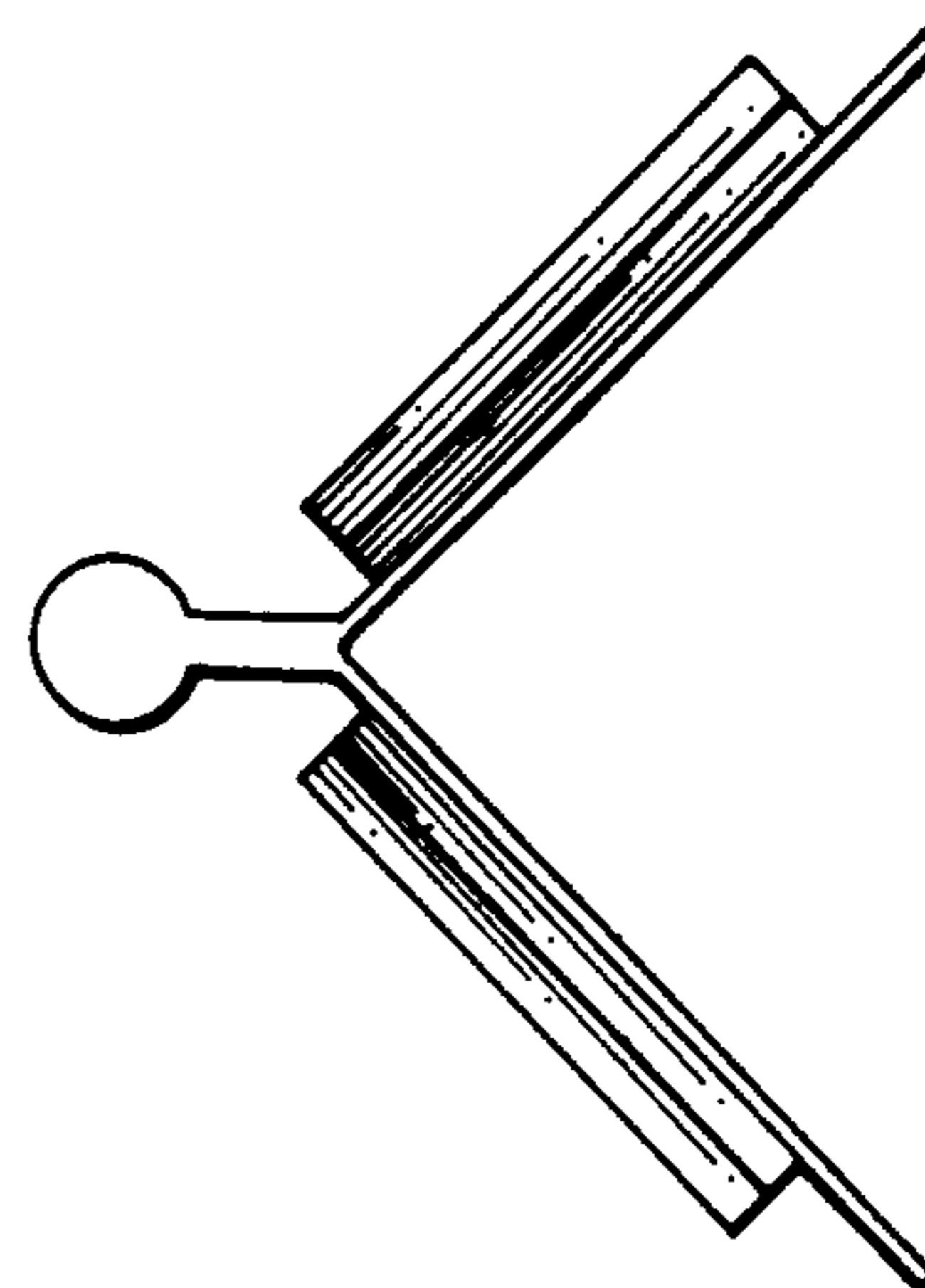


FIG. 6