

[54] PACKAGING CONTAINER OR THE LIKE

[75] Inventor: Carmen T. Mascia, Clarendon Hills, Ill.

[73] Assignee: The Continental Group, Inc., New York, N.Y.

[**] Term: 14 Years

[21] Appl. No.: 824,367

[22] Filed: Aug. 15, 1977

[51] Int. Cl. D9-03

[52] U.S. Cl. D9/220; D9/141; D9/240; D9/255

[58] Field of Search D7/17, 20, 23; D9/140, D9/141, 216, 220, 222, 240, 242, 254, 255, 267; 229/1.5 R, 1.5 B, 3.5 MF, 4.5

[56] References Cited

U.S. PATENT DOCUMENTS

D. 103,993	4/1937	Keith	D7/20
D. 238,236	12/1975	Montesi	D7/17
D. 249,640	9/1978	Edwards	D9/220
3,391,847	7/1968	Christine et al.	D9/220 X
3,401,825	9/1968	Weiss	D9/267 X
3,715,051	2/1973	Hanke	D9/255 X

Primary Examiner—Robert C. Spangler
Attorney, Agent, or Firm—John J. Kowalik

[57] CLAIM

The ornamental design for a packaging container or the like, as shown and described.

DESCRIPTION

FIG. 1 is a perspective view of a packaging container or the like illustrating my new design; FIG. 2 is a side elevational view thereof; FIG. 3 is a top plan view thereof, and FIG. 4 is a bottom plan view thereof.

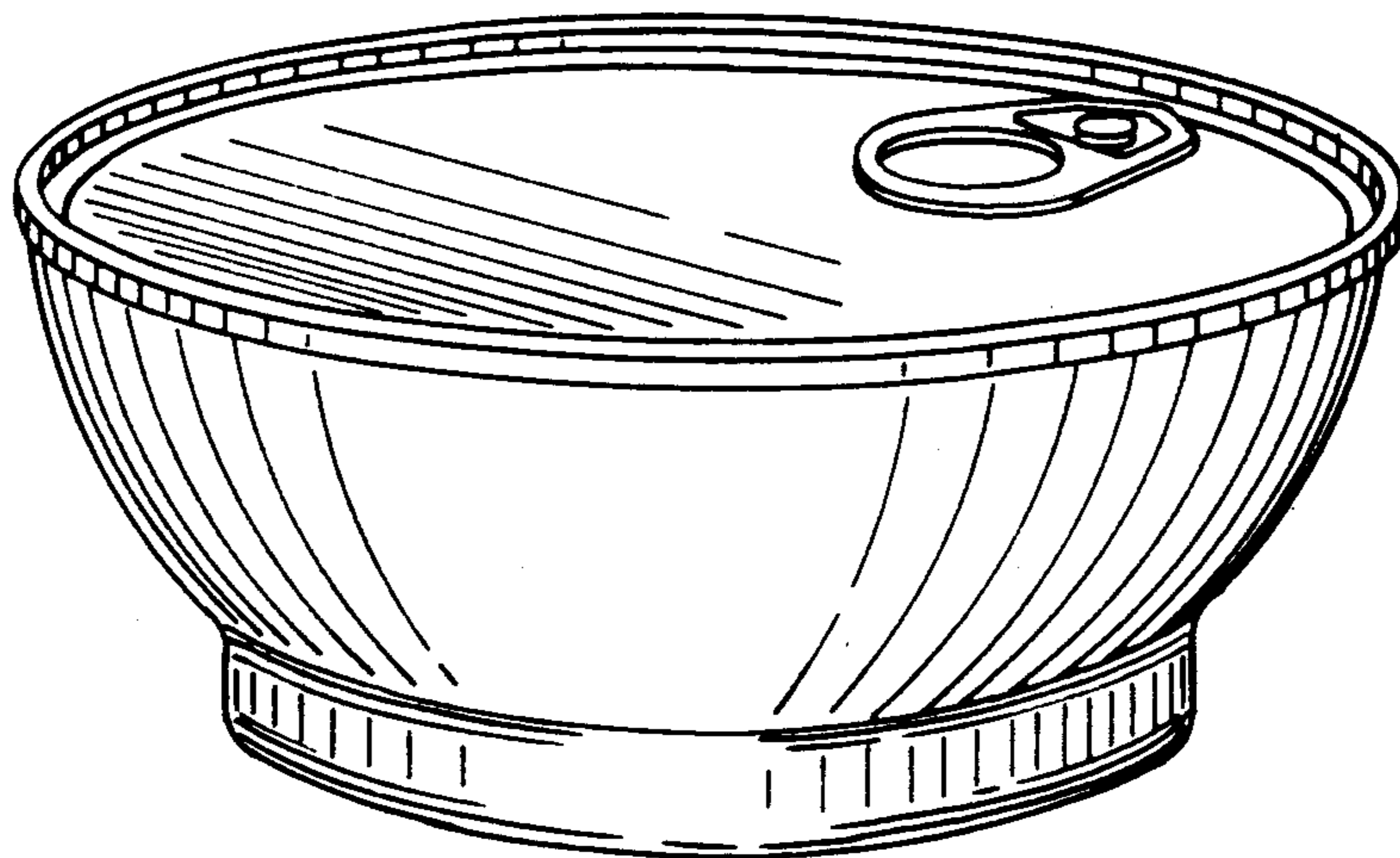


FIG. 1

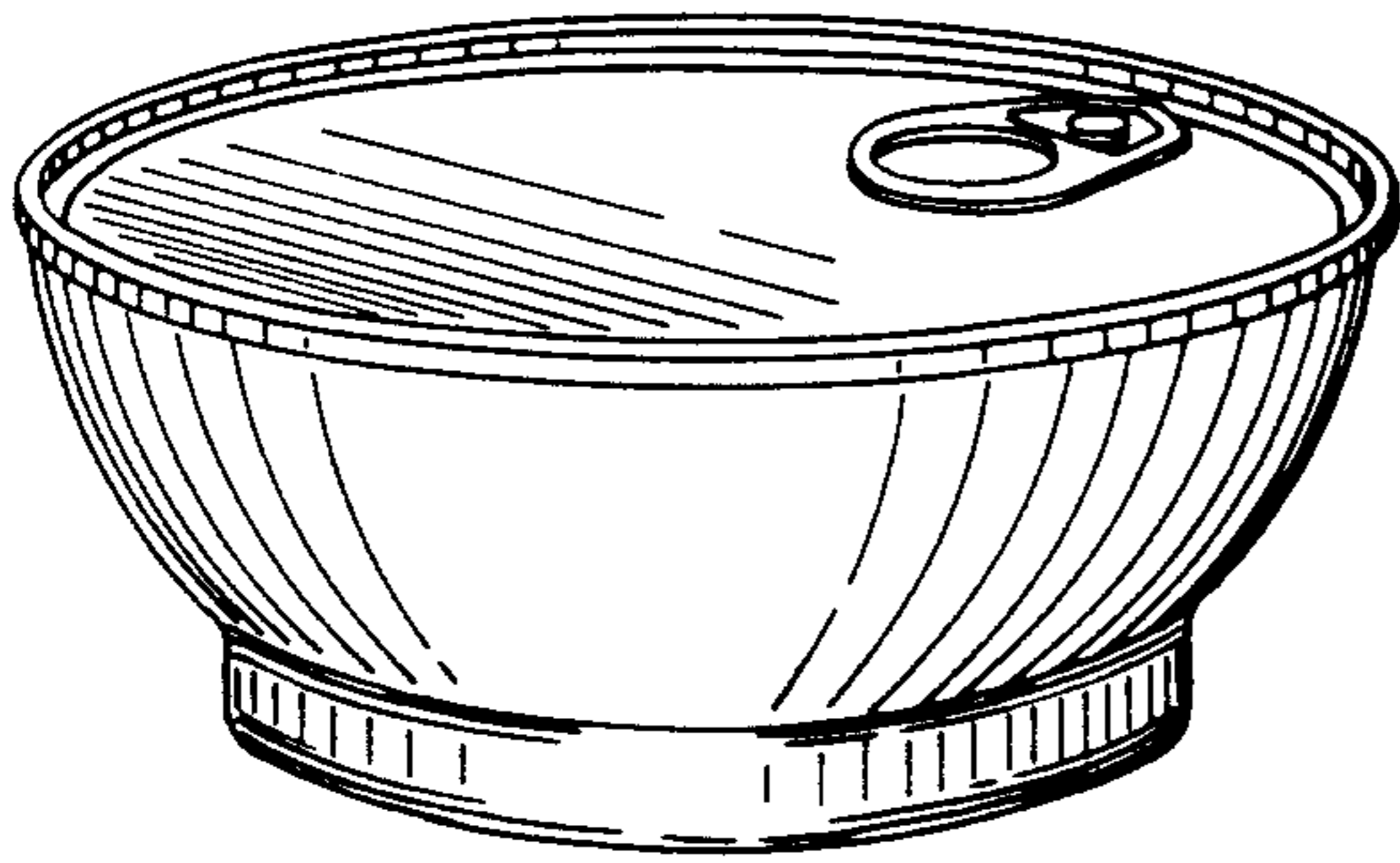


FIG. 2

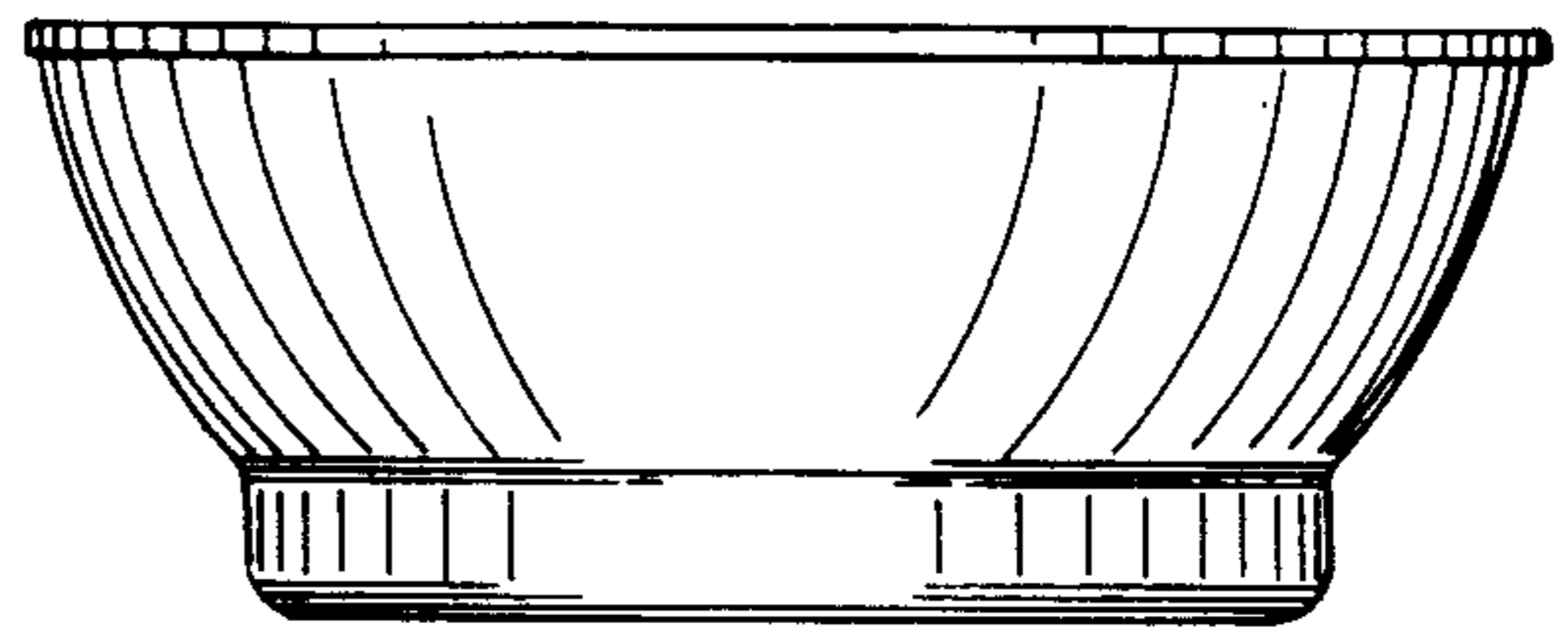


FIG. 3

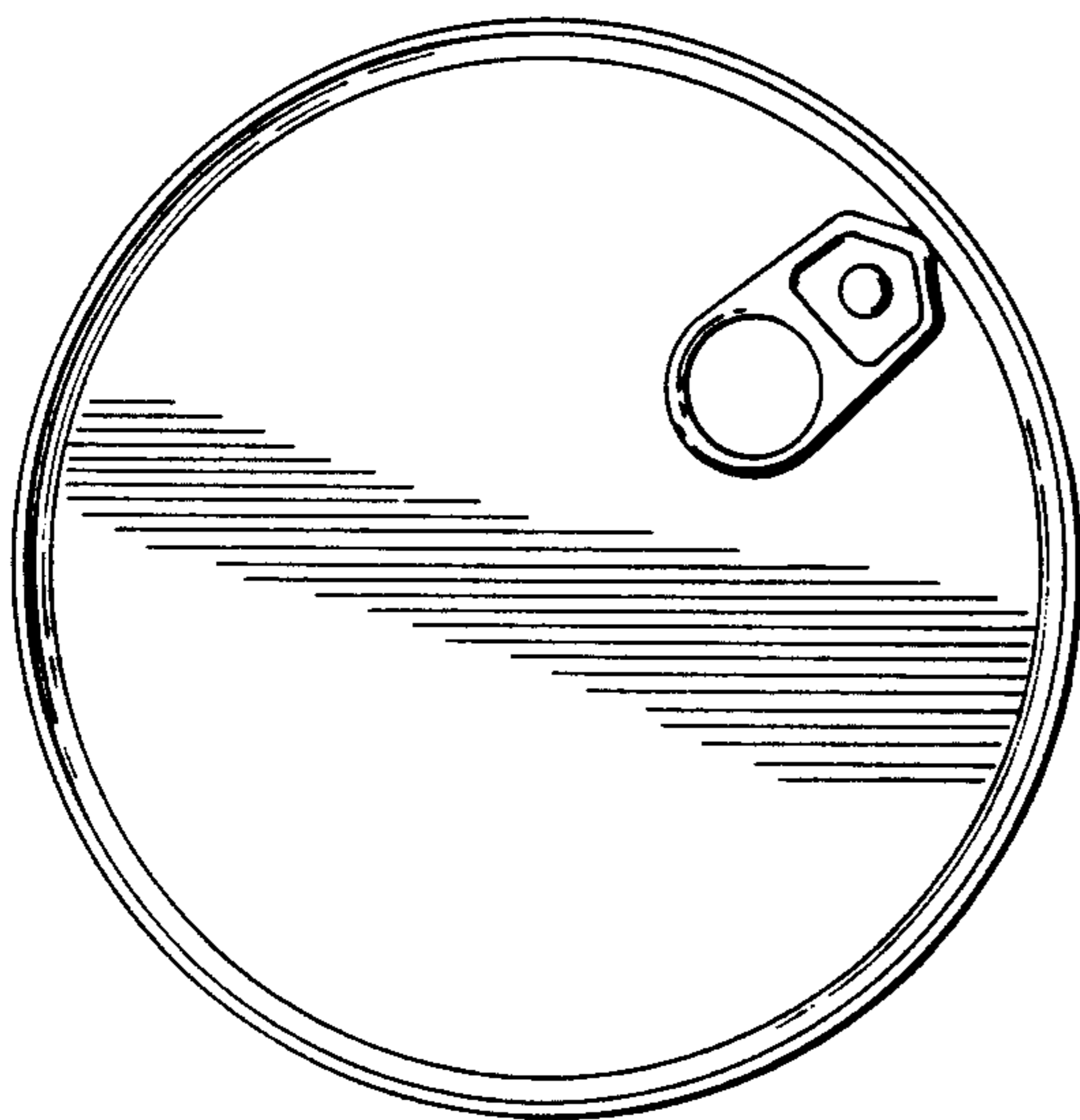


FIG. 4

