

[54] COOKING AND DEHYDRATING DEVICE

[75] Inventors: Robert J. Scott, Blue Springs; Bill G. Mead, Raytown, both of Mo.

[73] Assignee: Rival Manufacturing Company, Kansas City, Mo.

[**] Term: 14 Years

[21] Appl. No.: 807,043

[22] Filed: Jun. 16, 1977

[51] Int. Cl. D7-02

[52] U.S. Cl. D7/128

[58] Field of Search D7/126, 128; D15/92, D15/104, 108; 99/467, 468, 483, 393, 399; 34/192-200; 312/236; 426/443, 456, 465, 466, 467

[56]

References Cited

U.S. PATENT DOCUMENTS

D. 239,075 3/1976 Graff et al. D7/128
4,065,857 1/1978 Nelson et al. 99/483 X

Primary Examiner—Susan J. Lucas
Assistant Examiner—Catherine Kemper
Attorney, Agent, or Firm—Claude W. Lowe

[57]

CLAIM

The ornamental design for a cooking and dehydrating device, as shown and described.

DESCRIPTION

FIG. 1 is a front perspective view of a cooking and dehydrating device, showing our new design; FIG. 2 is a front elevational view thereof; FIG. 3 is a top plan view thereof; FIG. 4 is a right side elevational view thereof; FIG. 5 is a rear elevational view thereof; and FIG. 6 is a bottom plan view thereof.

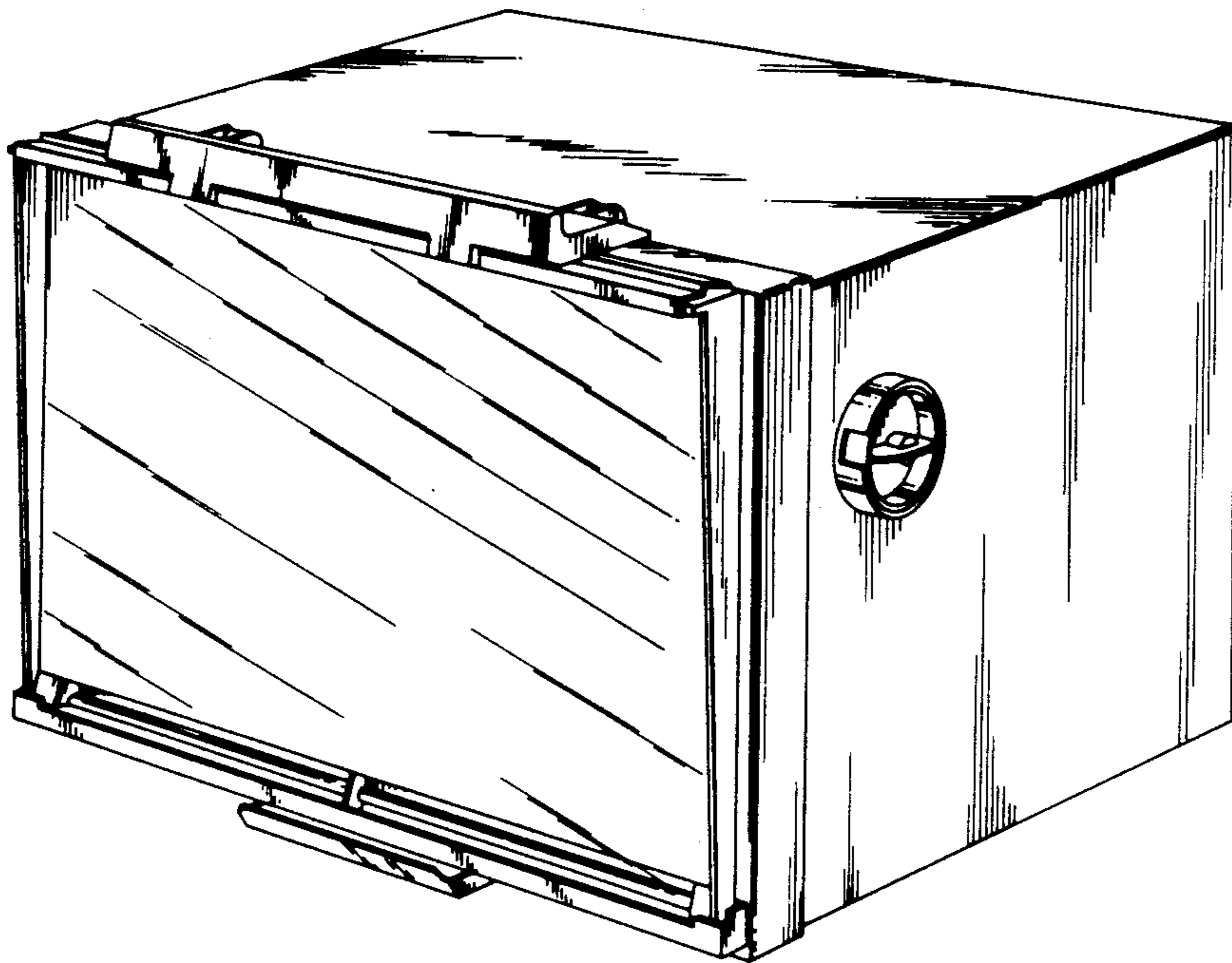


Fig. 1.

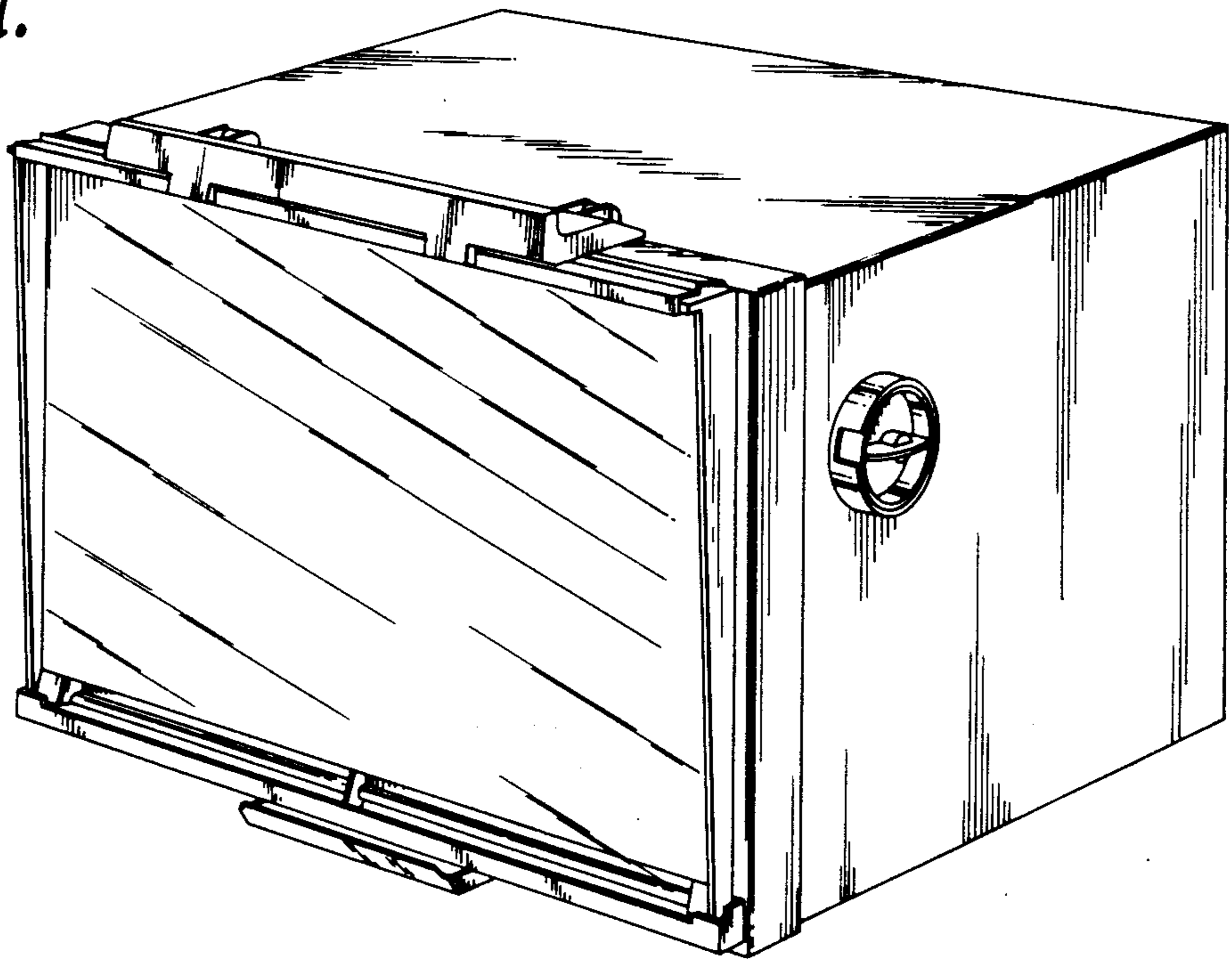


Fig. 2.

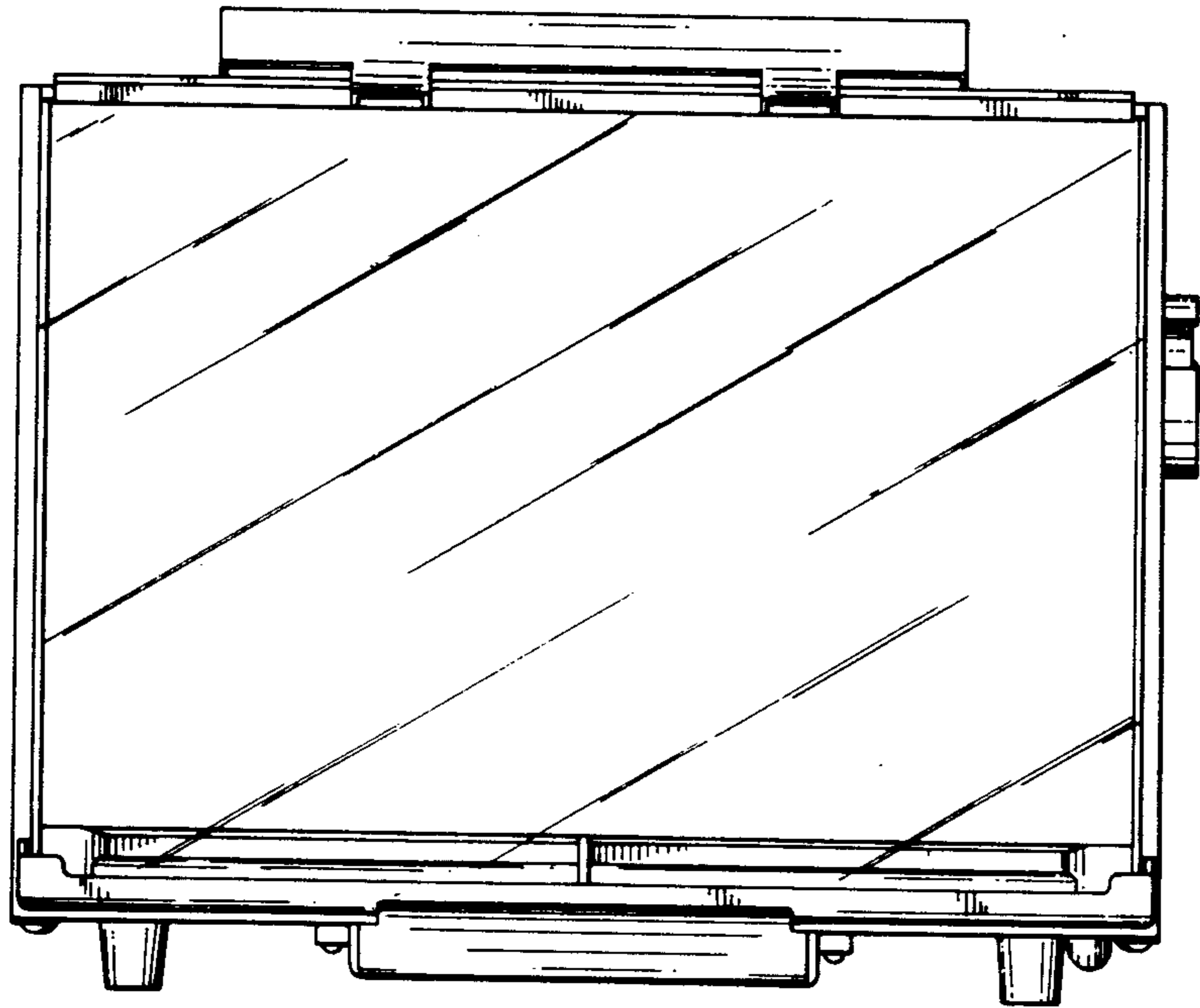


Fig. 3.

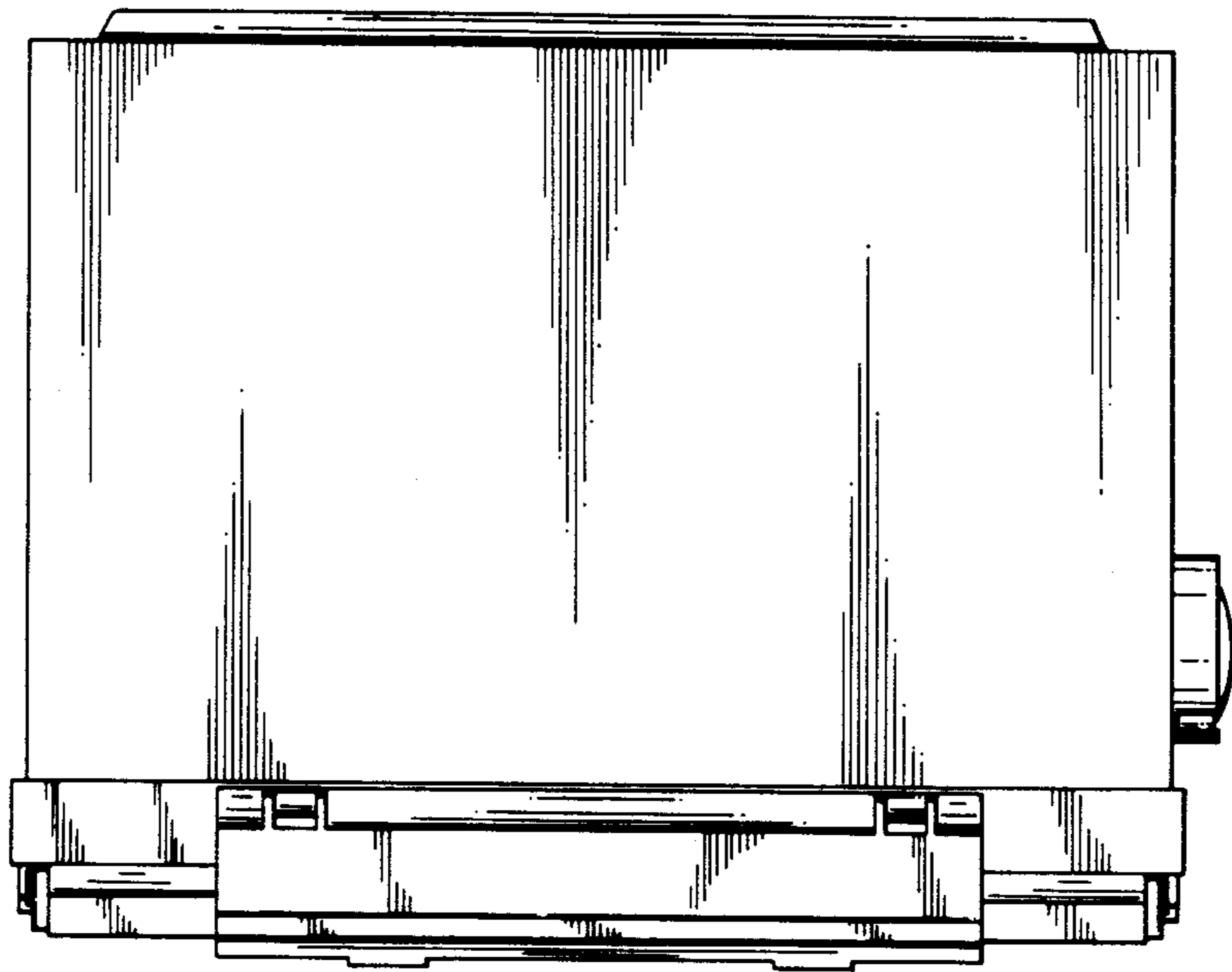


Fig. 4.

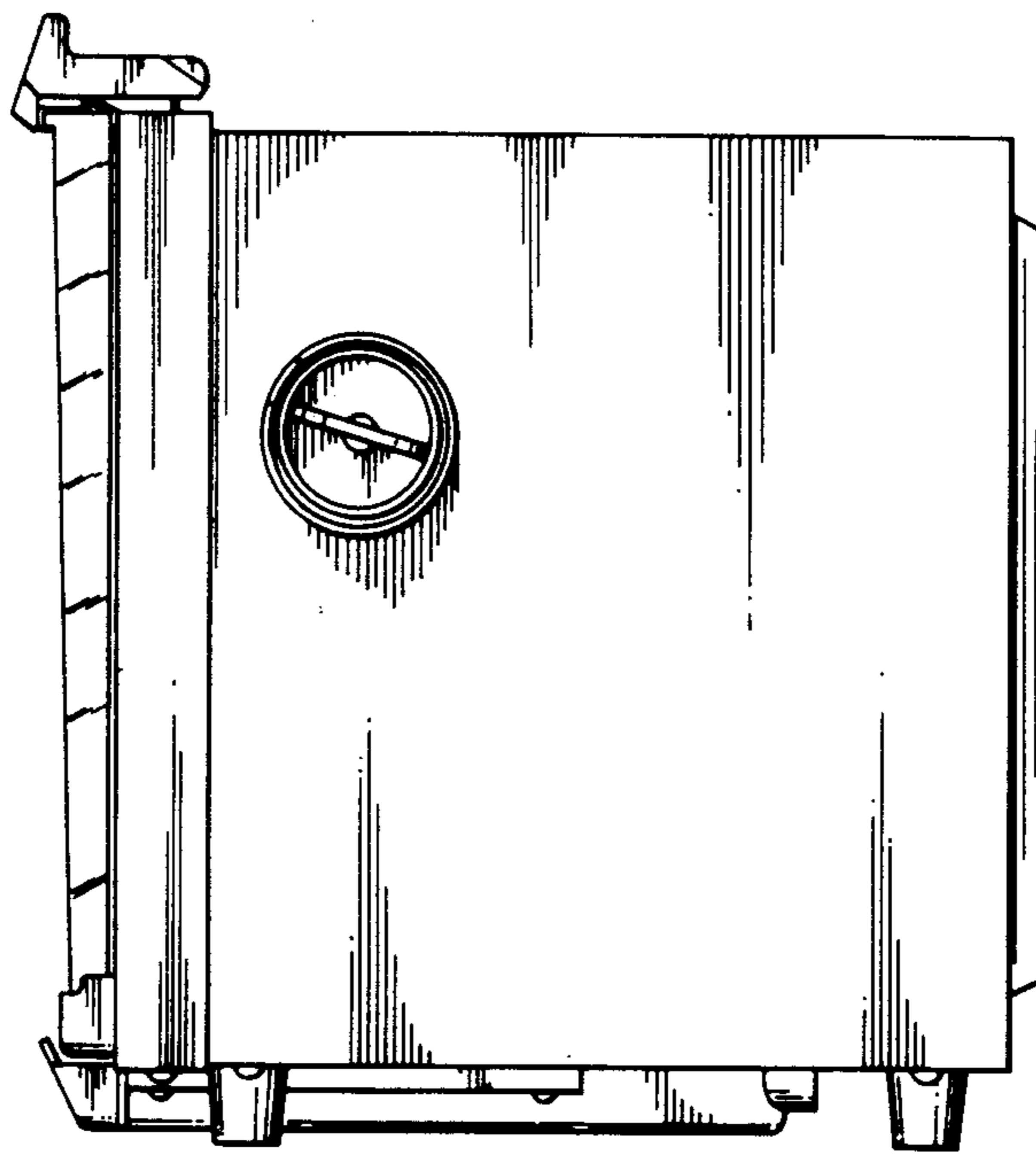


Fig. 5.

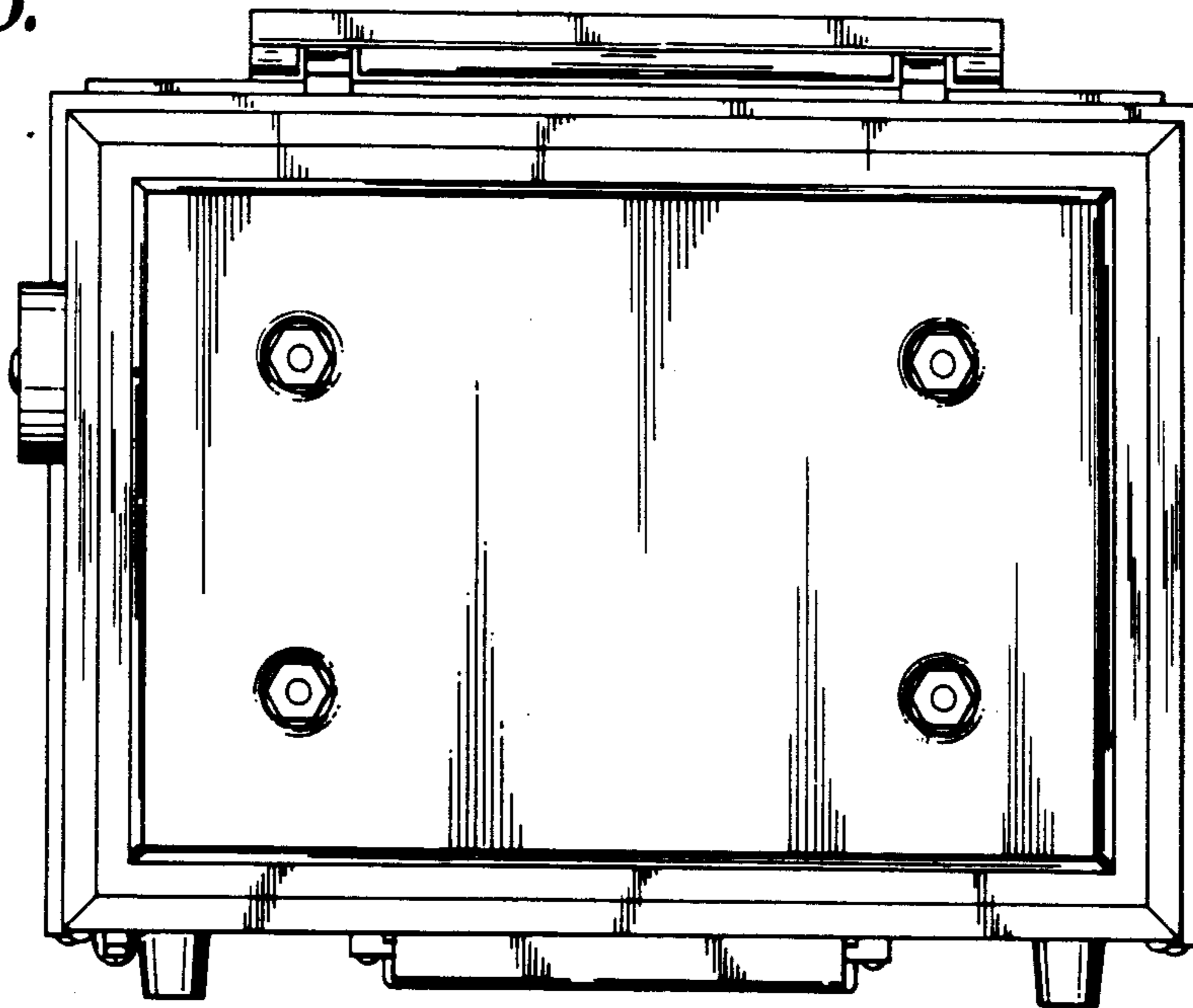


Fig. 6.

