

[54] CASSEROLE WITH COVER SEPARATELY USABLE AS PIE PLATE OR THE LIKE

[75] Inventor: William M. Anderson, Jr., Lynnwood, Wash.

[73] Assignee: AMG Industries, Inc., Seattle, Wash.

[\*\*] Term: 14 Years

[21] Appl. No.: 821,982

[22] Filed: Aug. 5, 1977

[51] Int. Cl. .... D7-02

[52] U.S. Cl. .... D7/97; D7/17; D7/23

[58] Field of Search ..... D7/21, 20, 19, 16, 17, D7/18, 97, 23, 40; D9/1, 220

[56] References Cited

U.S. PATENT DOCUMENTS

D. 148,948	3/1948	Ovenshire .....	D7/97
D. 202,912	11/1965	DePuy et al. ....	D7/97
D. 212,820	11/1968	Benes .....	D7/97
3,065,744	11/1962	Scavullo .....	D7/16 X
3,164,285	1/1965	Melich .....	D7/21 X

3,360,153 12/1967 Wheaton, Jr. .... D7/17 X

Primary Examiner—Winifred E. Herrmann  
Attorney, Agent, or Firm—John O. Graybeal

[57] CLAIM

The ornamental design for a casserole with cover separately usable as pie plate or the like, substantially as shown.

DESCRIPTION

FIG. 1 is a top perspective view of a casserole with cover separately usable as pie plate or the like showing my new design;

FIG. 2 is a side elevational view thereof;

FIG. 3 is a top plan view thereof;

FIG. 4 is a bottom view thereof;

FIG. 5 is a top perspective view thereof with the cover omitted;

FIG. 6 is a side elevational view of FIG. 5;

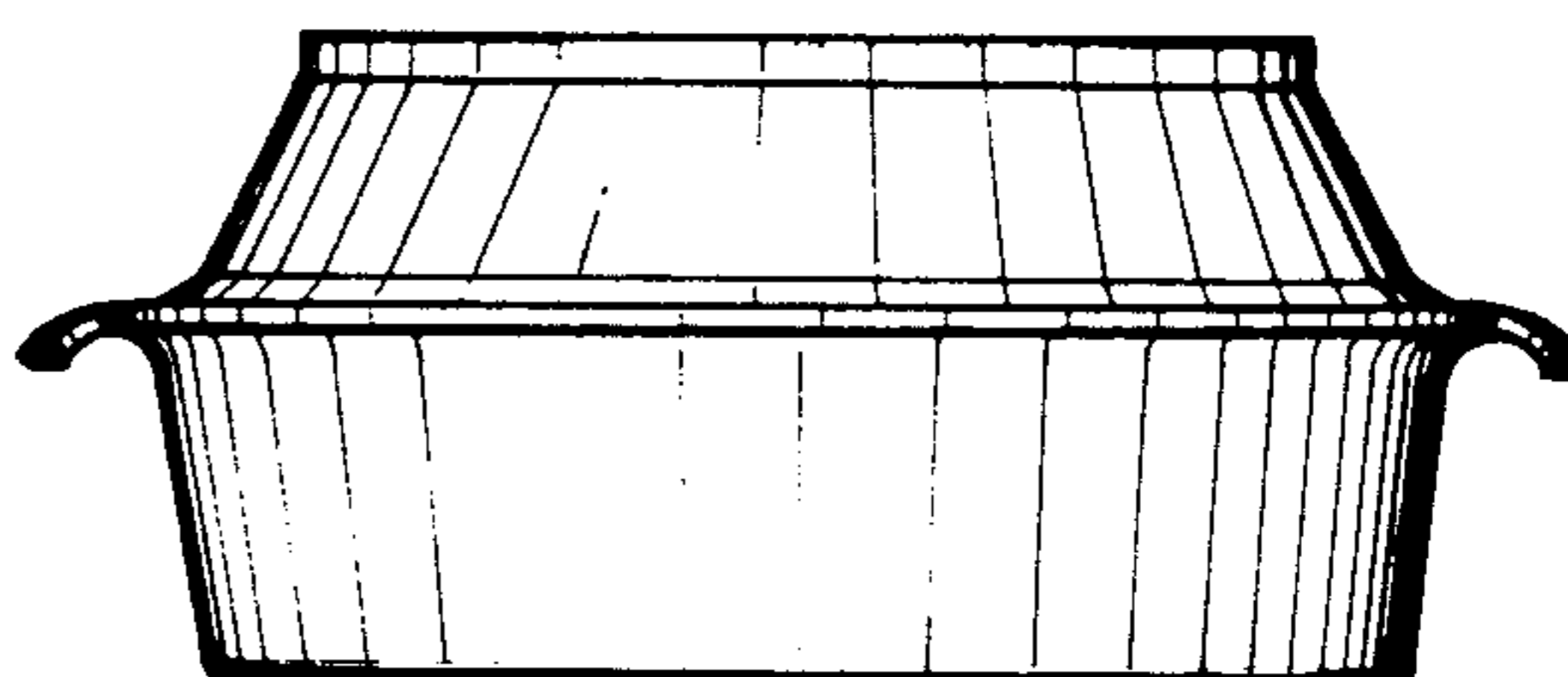
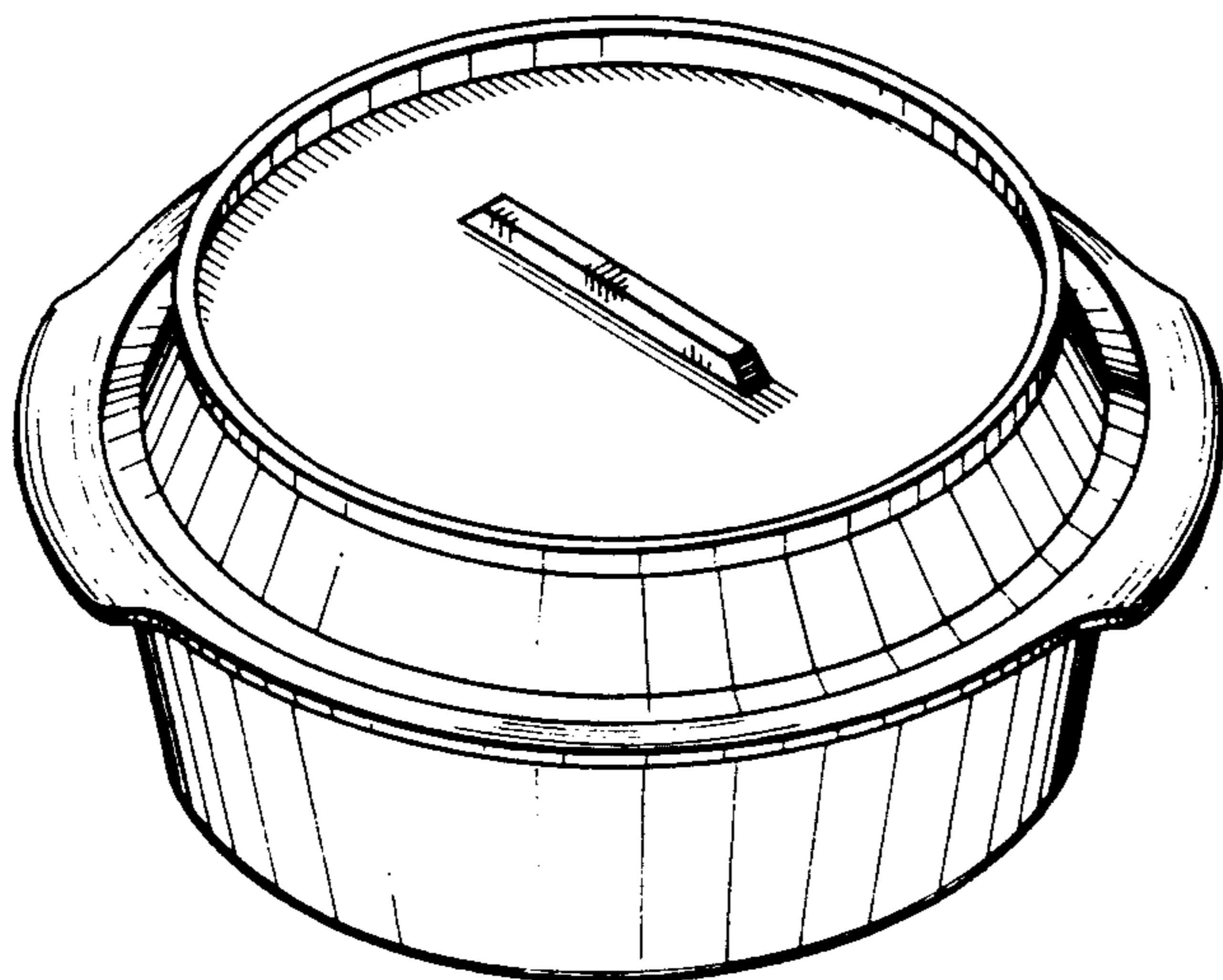
FIG. 7 is a top plan view of FIG. 5;

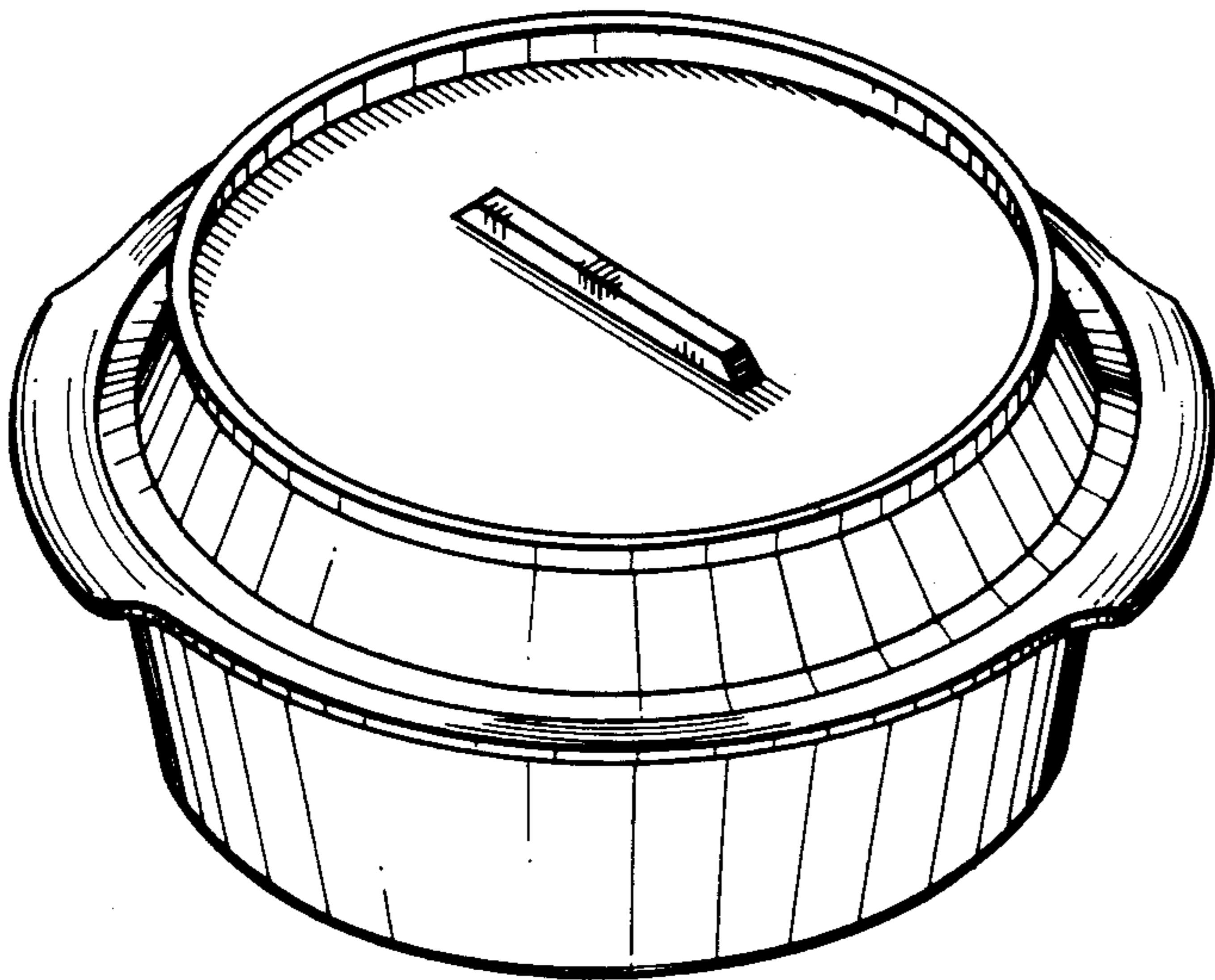
FIG. 8 is a top perspective view thereof with the casserole omitted;

FIG. 9 is a side elevational view of FIG. 8;

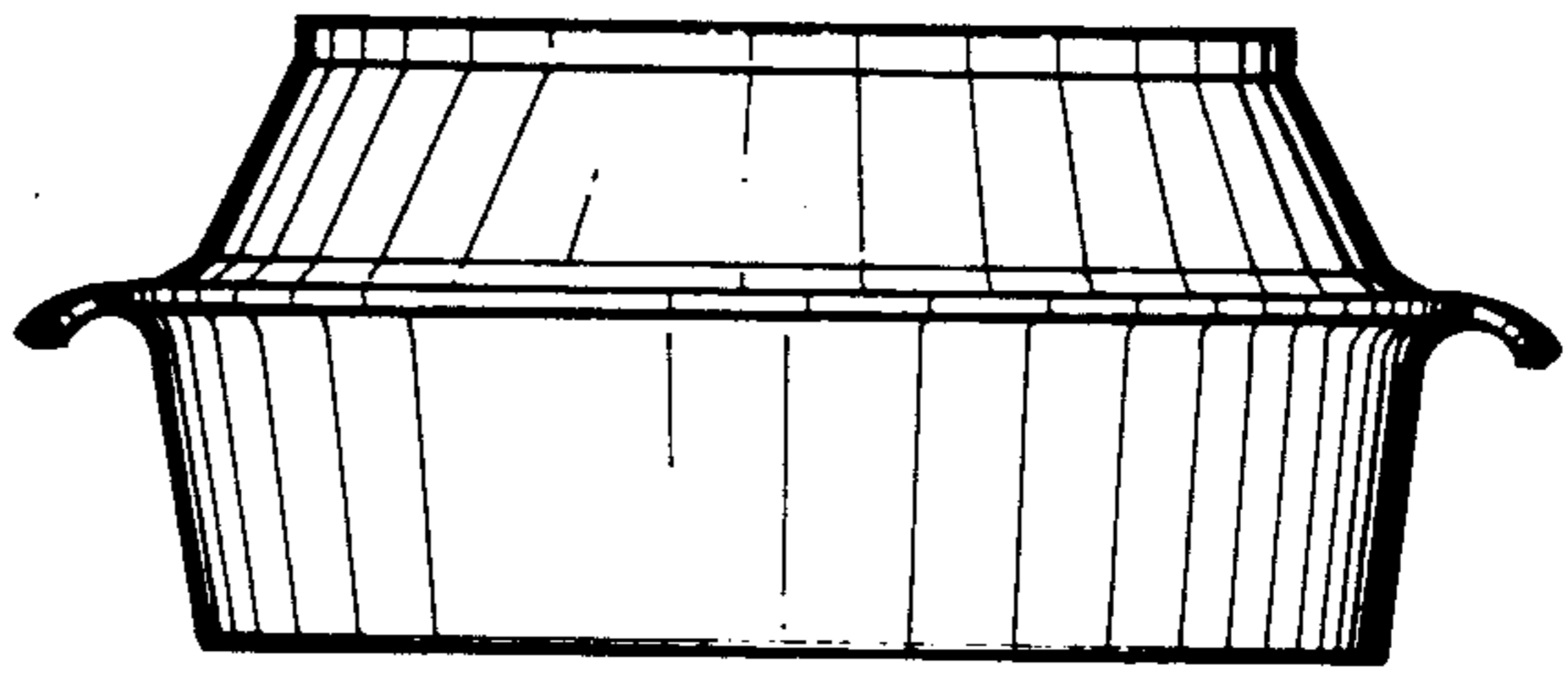
FIG. 10 is a top plan view of FIG. 8; and

FIG. 11 is a bottom plan view of FIG. 8.

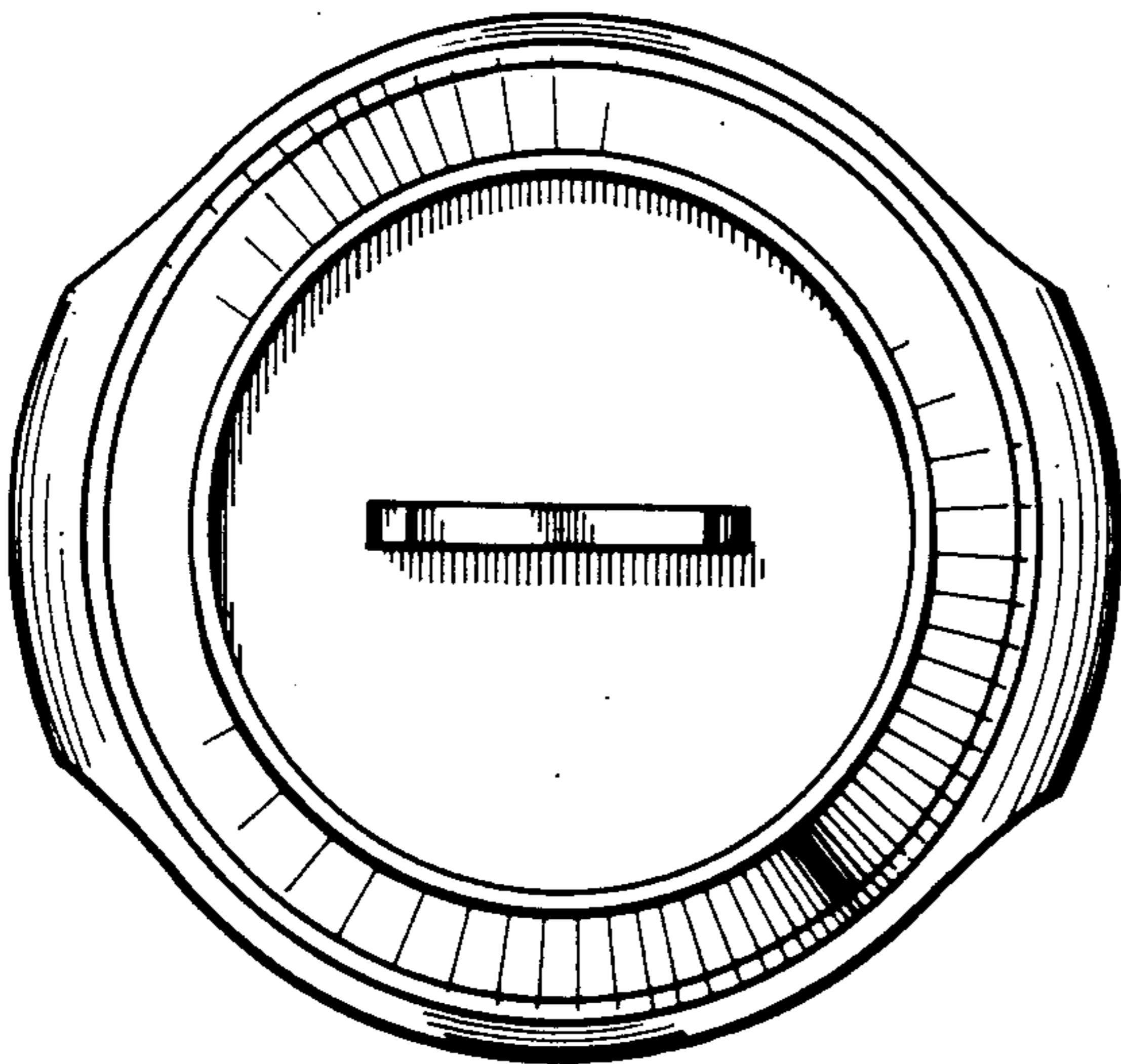




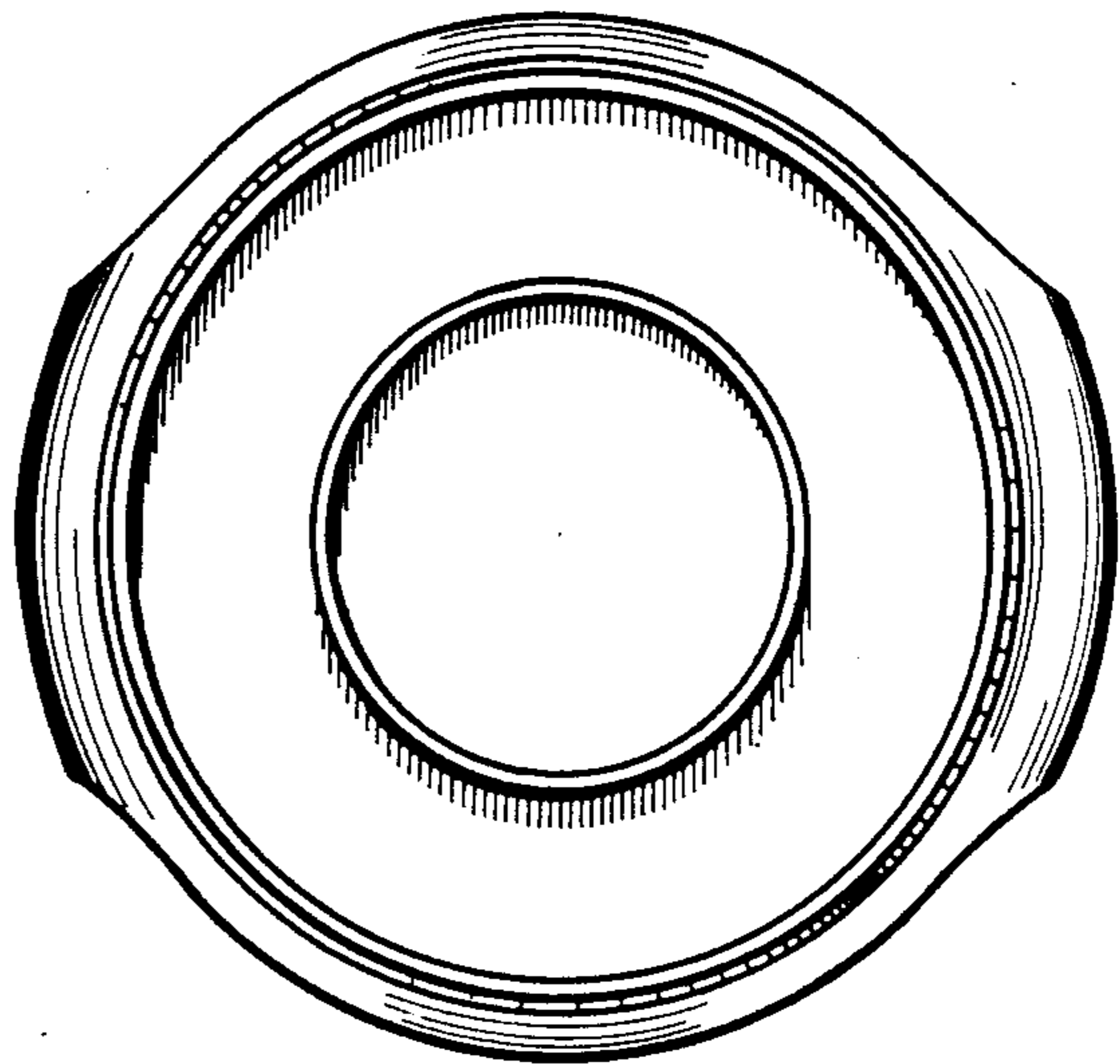
*Fig. 1.*



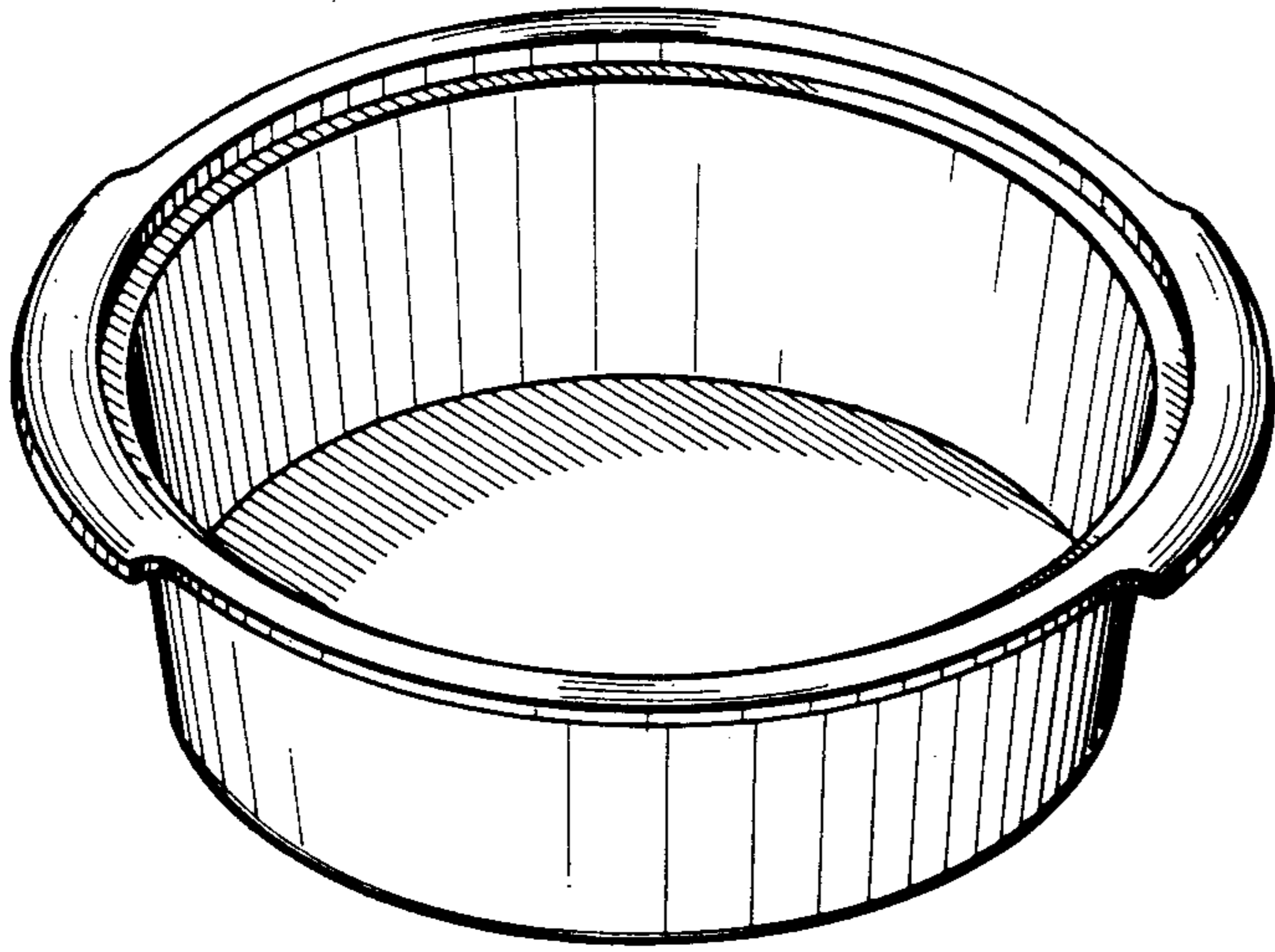
*Fig. 2.*



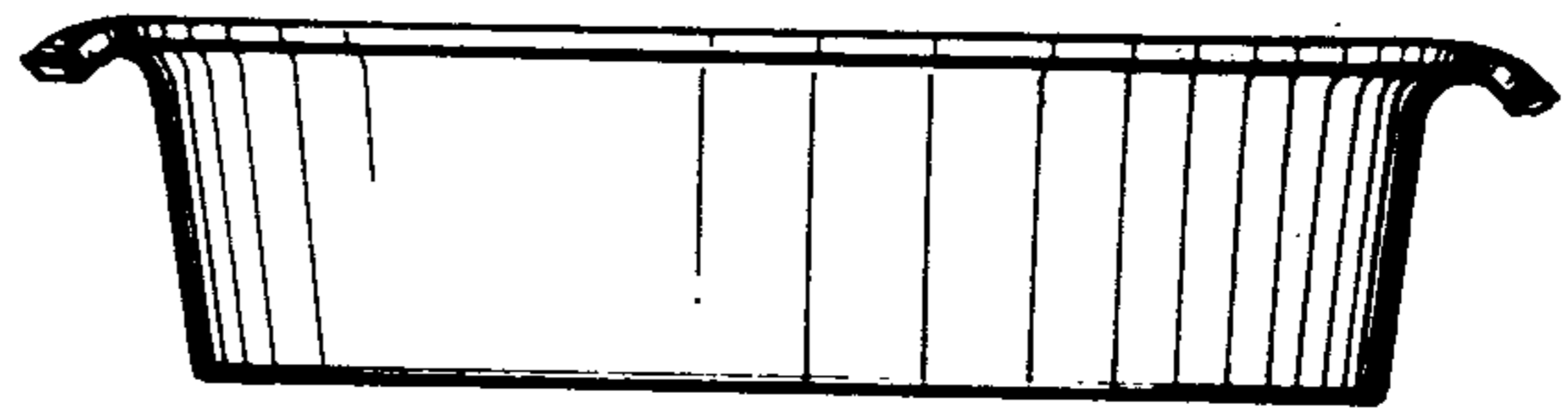
*Fig. 3.*



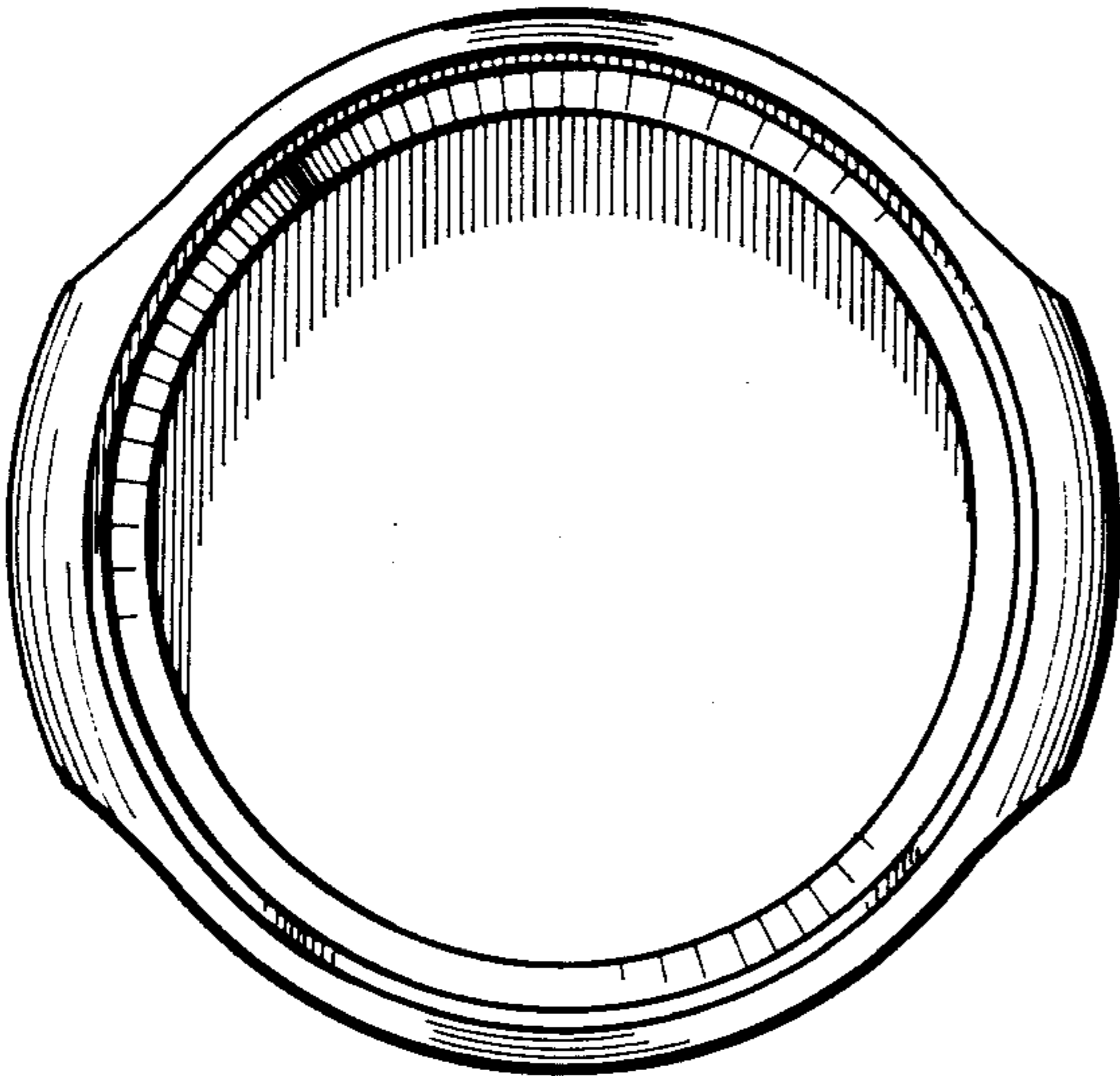
*Fig. 4.*



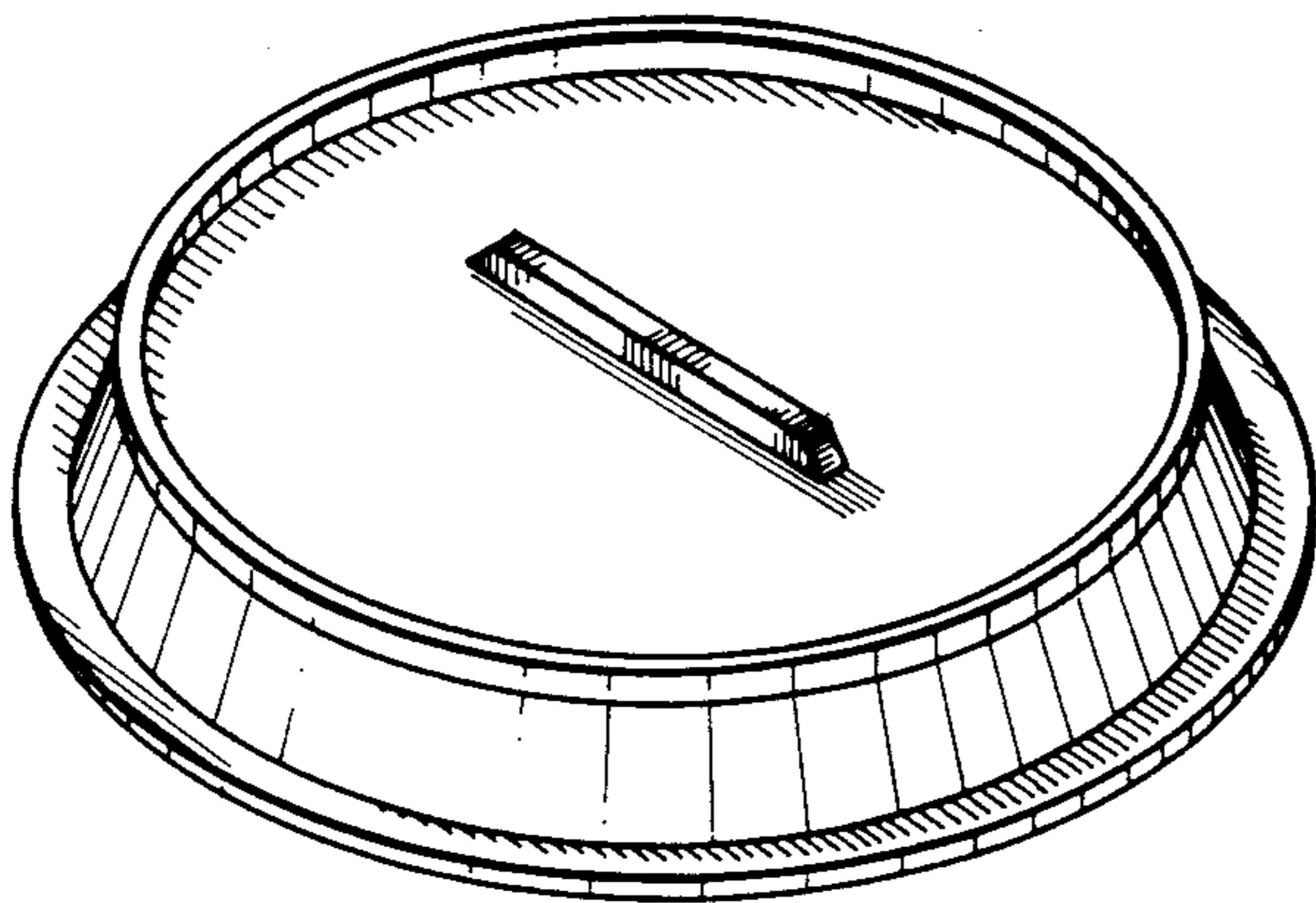
*Fig. 5.*



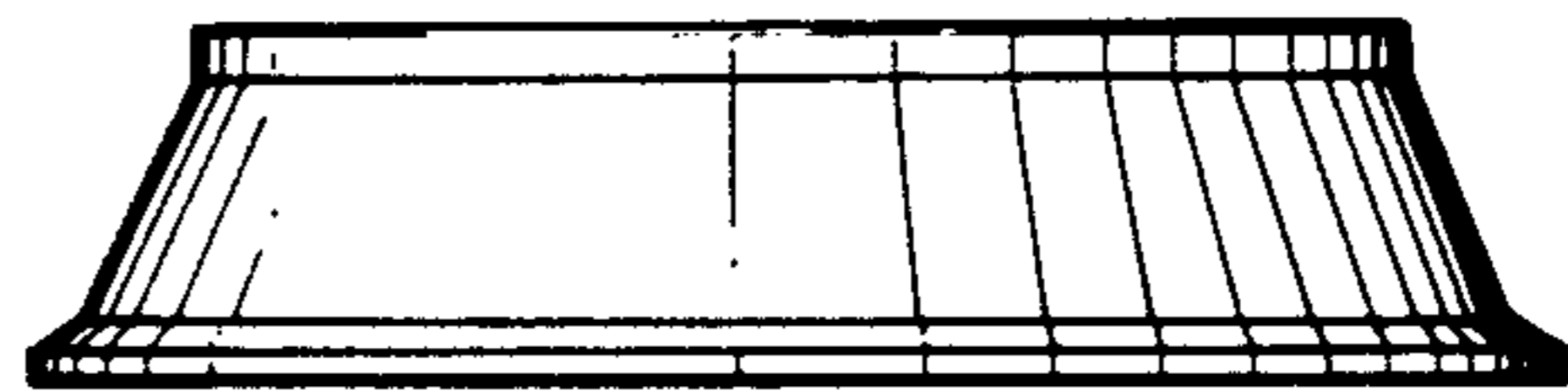
*Fig. 6.*



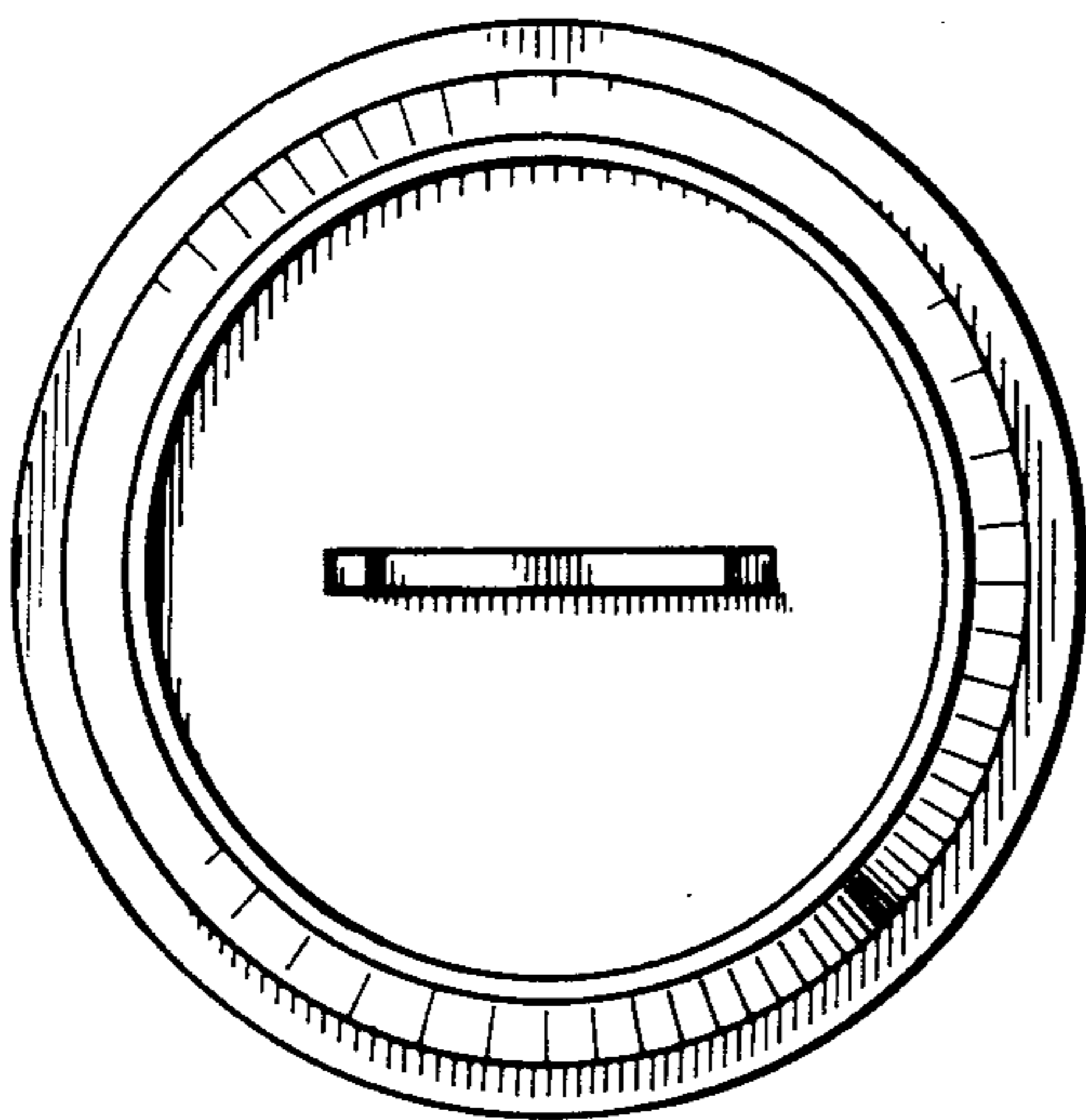
*Fig. 7.*



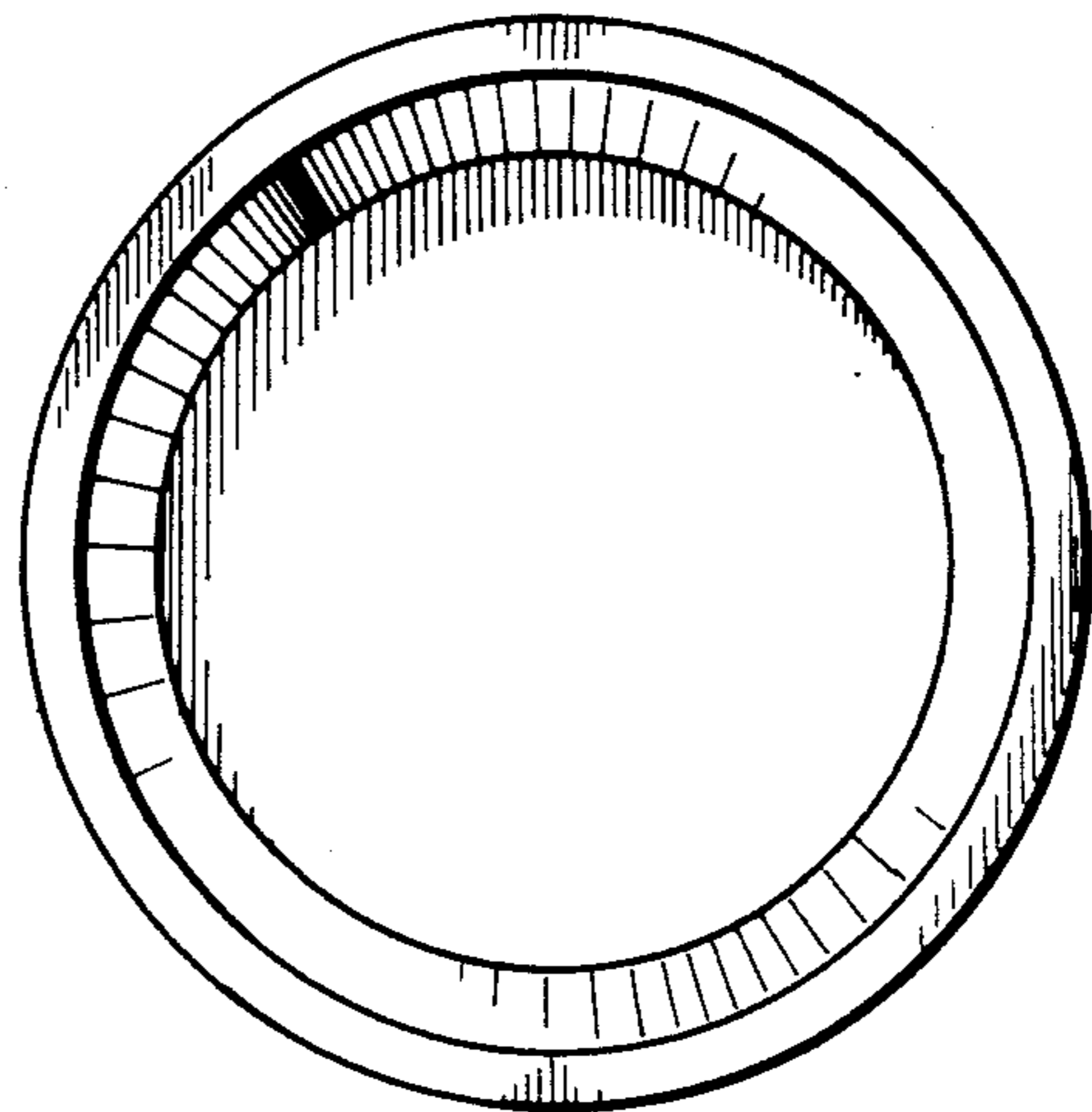
*Fig. 8.*



*Fig. 9.*



*Fig. 10.*



*Fig. 11.*