

[54] DRINKING CUP

D. 236,181 8/1975 Davis D7/70

[75] Inventor: James F. Pomroy, St. Paul, Minn.

OTHER PUBLICATIONS

[73] Assignee: Plastics, Inc., St. Paul, Minn.

Foodservice Equipment Dealer, Jan. 1971, p. 28B, Thermoplastic Footed Mug at bottom r. by Libbey Products.

[**] Term: 14 Years

Primary Examiner—Winifred E. Herrmann
Attorney, Agent, or Firm—Jack W. Wicks

[21] Appl. No.: 841,690

[22] Filed: Oct. 13, 1977

[57] CLAIM

[51] Int. Cl. D7-01

The ornamental design for a drinking cup, as shown and described.

[52] U.S. Cl. D7/9

[58] Field of Search D7/9, 10, 3, 6, 11,
D7/12, 13, 7, 8, 70, 22

DESCRIPTION

[56] References Cited

FIG. 1 is a side elevational view of a drinking cup showing my new design, the side opposite being a mirror image thereof.

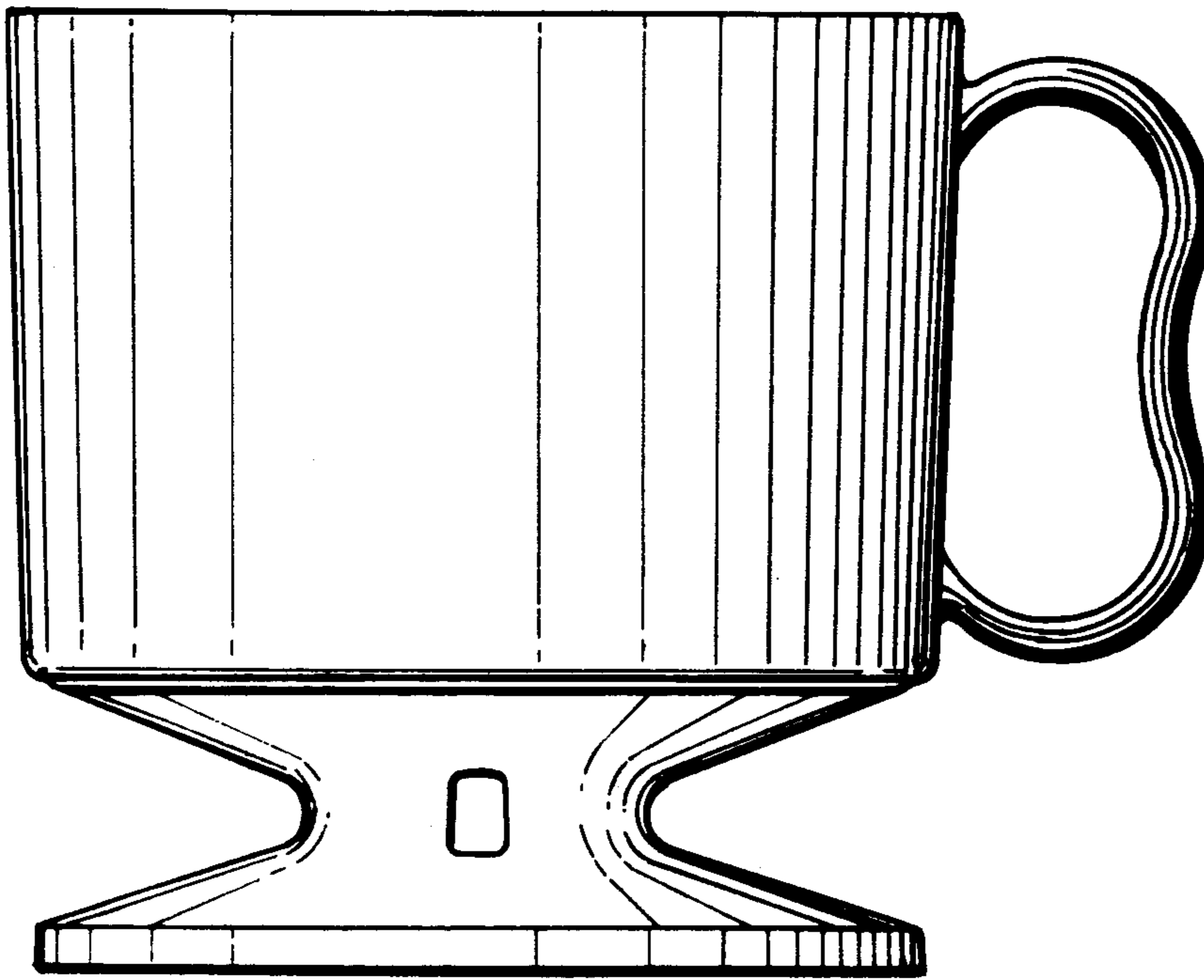
U.S. PATENT DOCUMENTS

| | | | | |
|------------|---------|-------------------|-------|--------|
| D. 35,477 | 12/1901 | Gnuchtel | | D7/9 X |
| D. 211,038 | 5/1968 | Wentzel | | D7/13 |
| D. 217,011 | 3/1970 | Hardie | | D7/70 |
| D. 224,804 | 9/1972 | Dennerlein et al. | | D7/70 |

FIG. 2 is a side elevational view rotated 90° from that of FIG. 1.

FIG. 3 is a top plan view thereof.

FIG. 4 is a bottom plan view thereof.



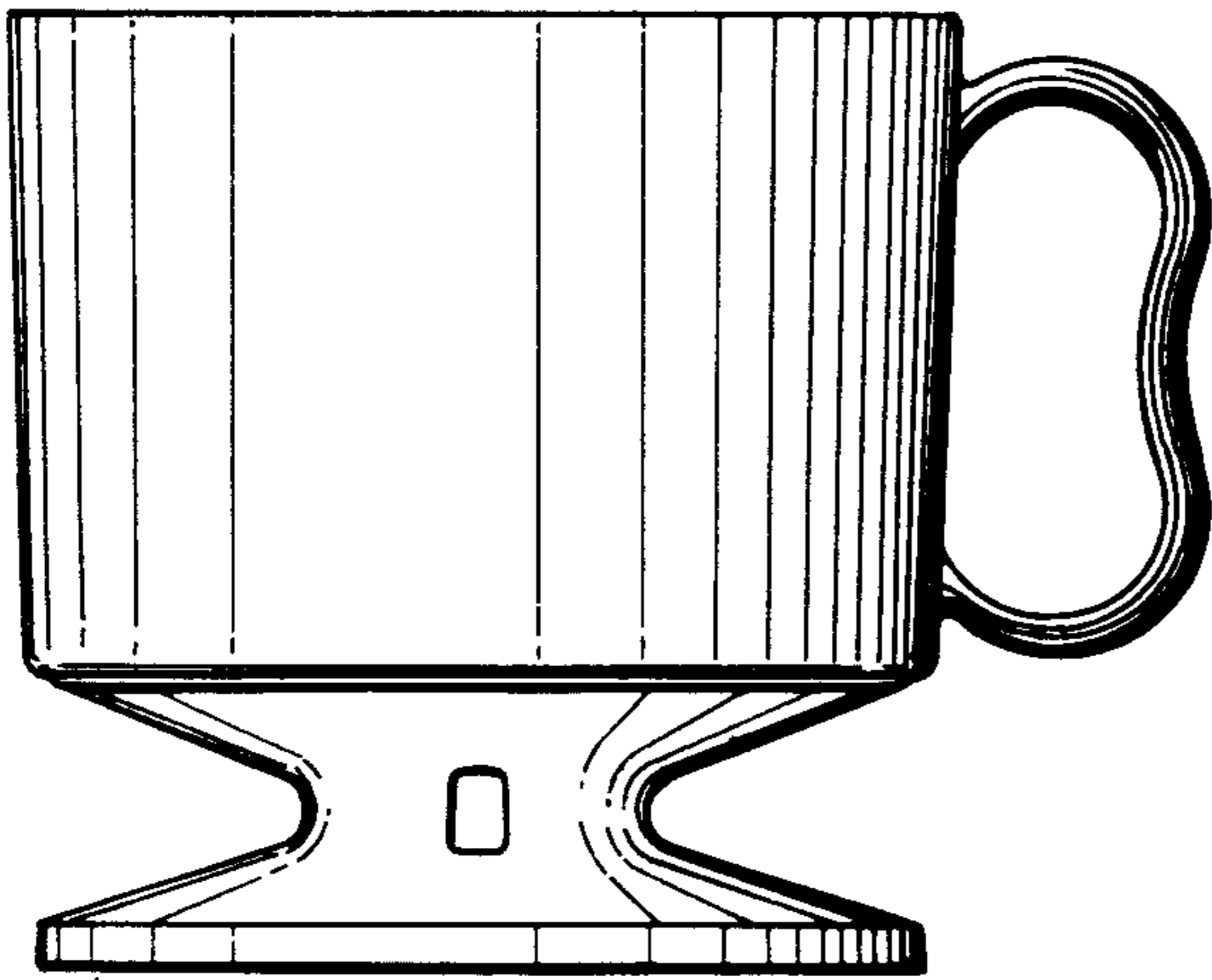


FIG. 1

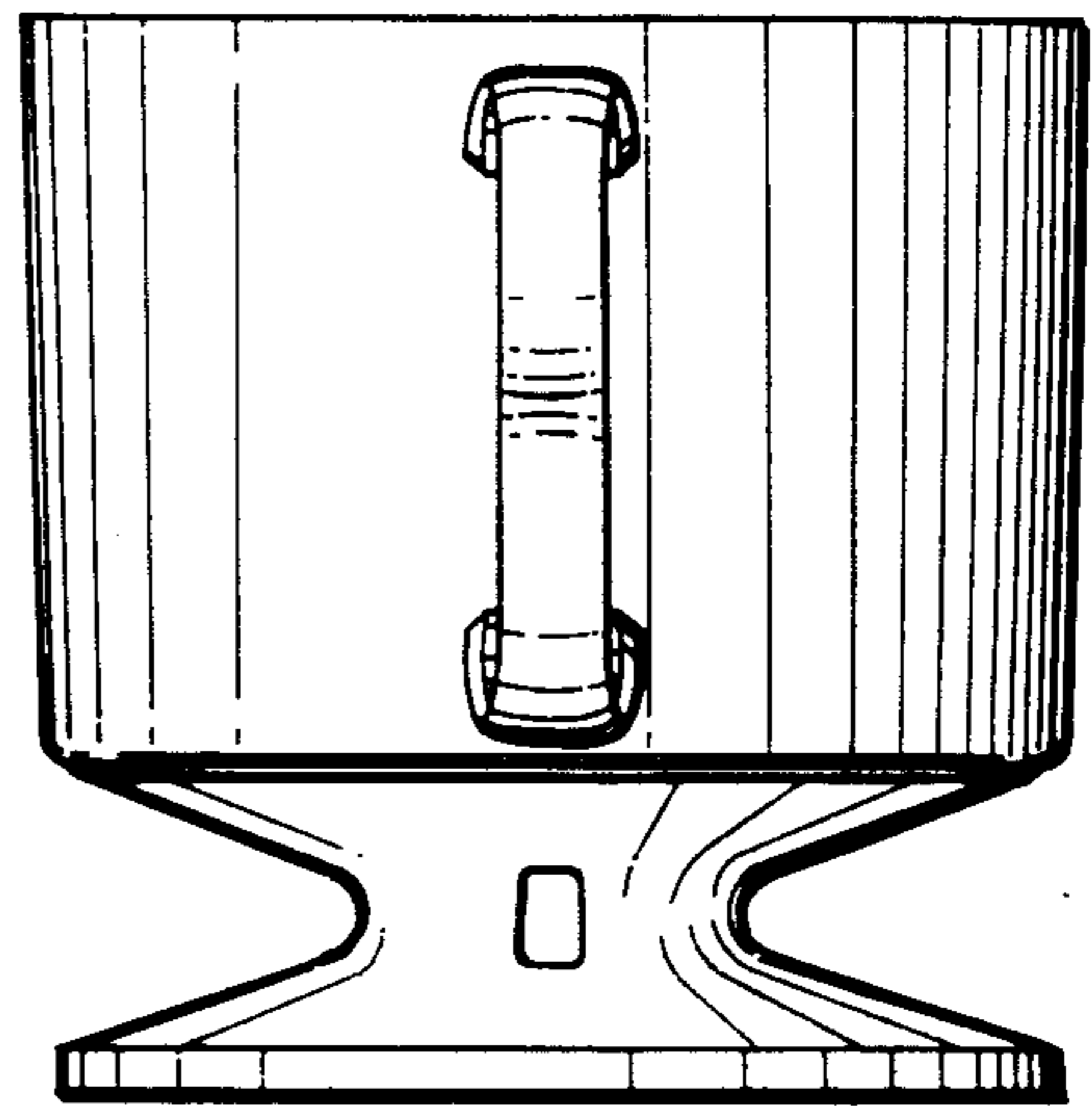


FIG. 2

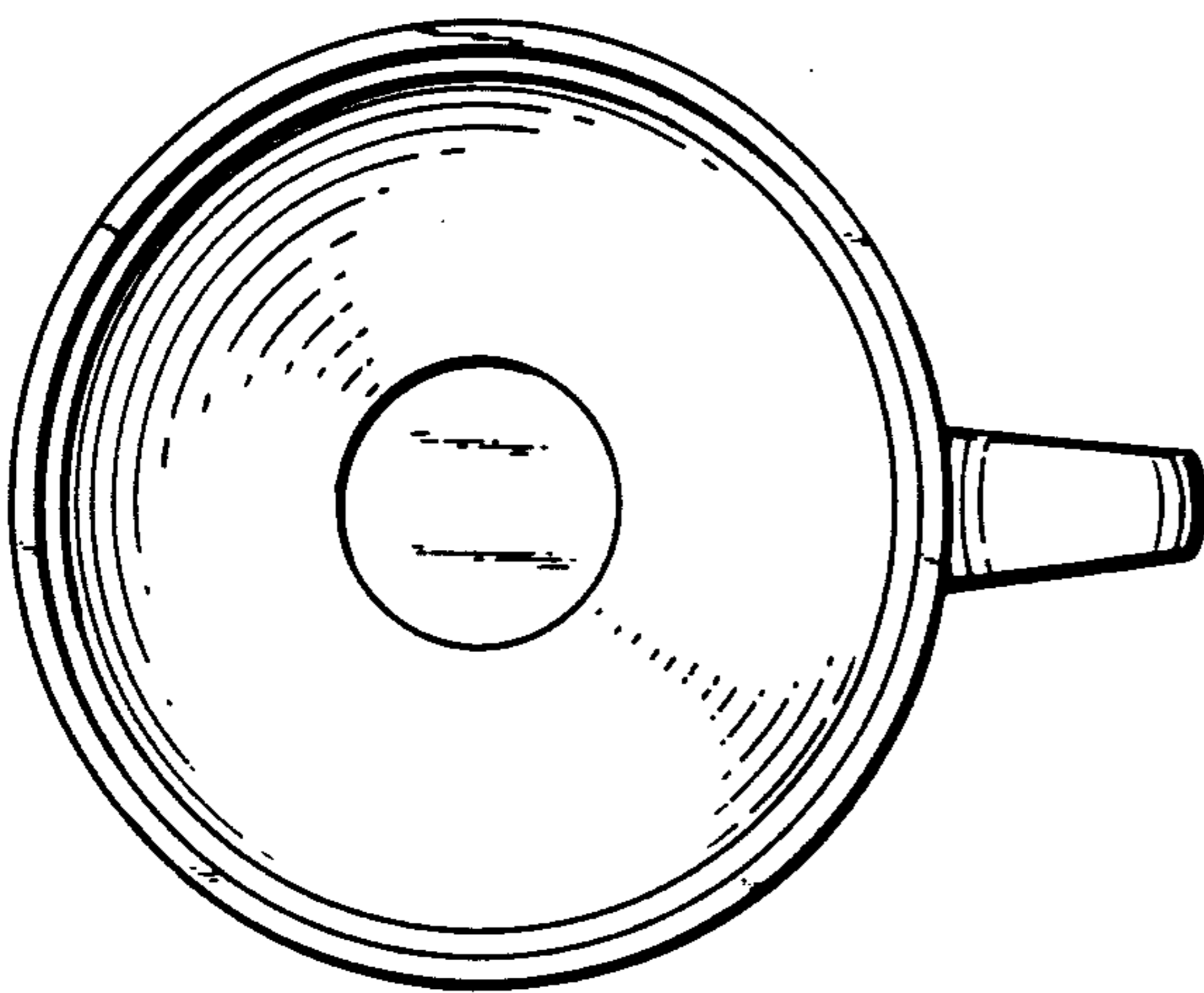


FIG. 3

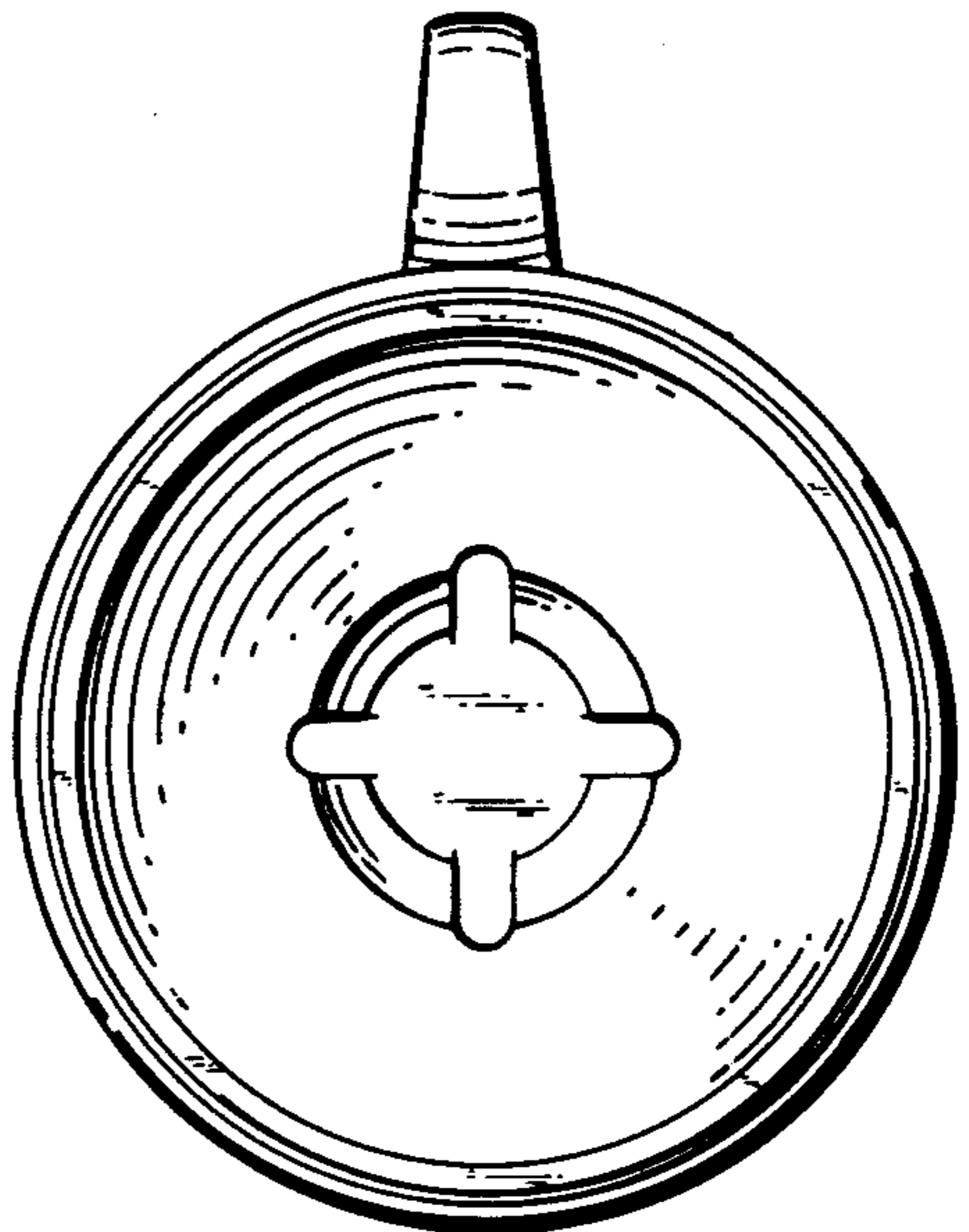


FIG. 4