

[54] VERTICAL HEIGHT ADJUSTING STAND FOR A BED

[76] Inventor: Peter K. Evans, 420 LeJeune Rd., N., Miami, Fla. 33126

[**] Term: 14 Years

[21] Appl. No.: 804,109

[22] Filed: Jun. 6, 1977

[51] Int. Cl. D6-99

[52] U.S. Cl. D6/85; D6/188; D19/75; D19/85; D19/93; D28/73

[58] Field of Search D6/157, 188, 189, 182, D6/85, 194, 198; 5/328, 310; 248/188, 188.2, 124; D19/79, 85, 93; D28/76, 73; D7/71

[56] References Cited

U.S. PATENT DOCUMENTS

D. 25,839 7/1896 Allen D19/79

D. 70,908	8/1926	Salz	D19/79
1,401,554	12/1921	Phillips	5/8
2,784,930	3/1957	Wernecke	5/310 X
3,452,663	7/1969	Machtig	248/188.2 X
3,993,275	11/1976	Lucas	248/188.2

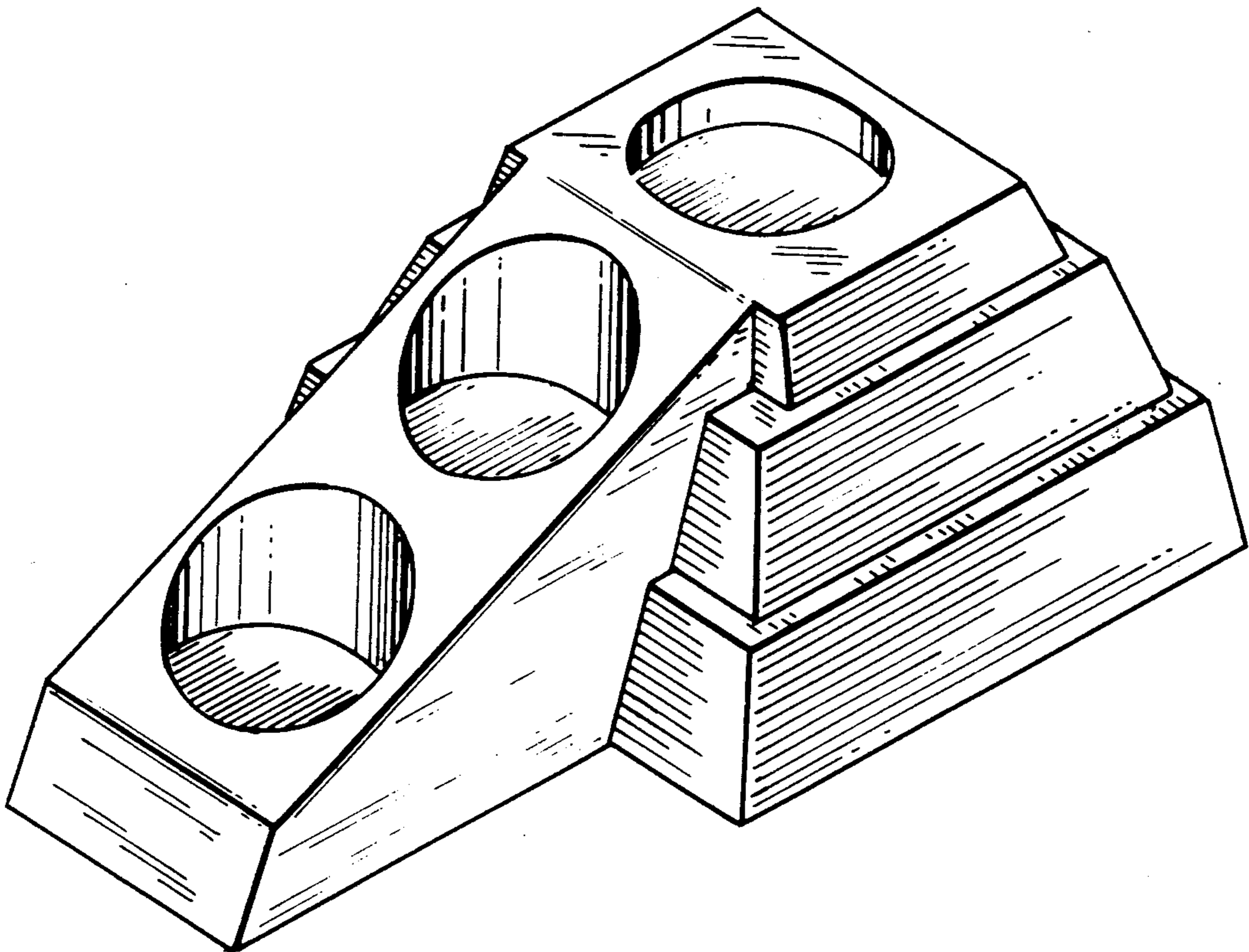
Primary Examiner—Bruce W. Dunkins
Attorney, Agent, or Firm—Barry L. Haley

[57] CLAIM

The ornamental design for a vertical height adjusting stand for a bed, as shown and described.

DESCRIPTION

FIG. 1 is a top plan view of a vertical height adjusting stand for a bed showing my new design; FIG. 2 is a side, elevational view thereof; FIG. 3 is a bottom, plan view thereof; FIG. 4 is a front, elevational view thereof; FIG. 5 is a rear, elevational view thereof; and FIG. 6 is a perspective view thereof.



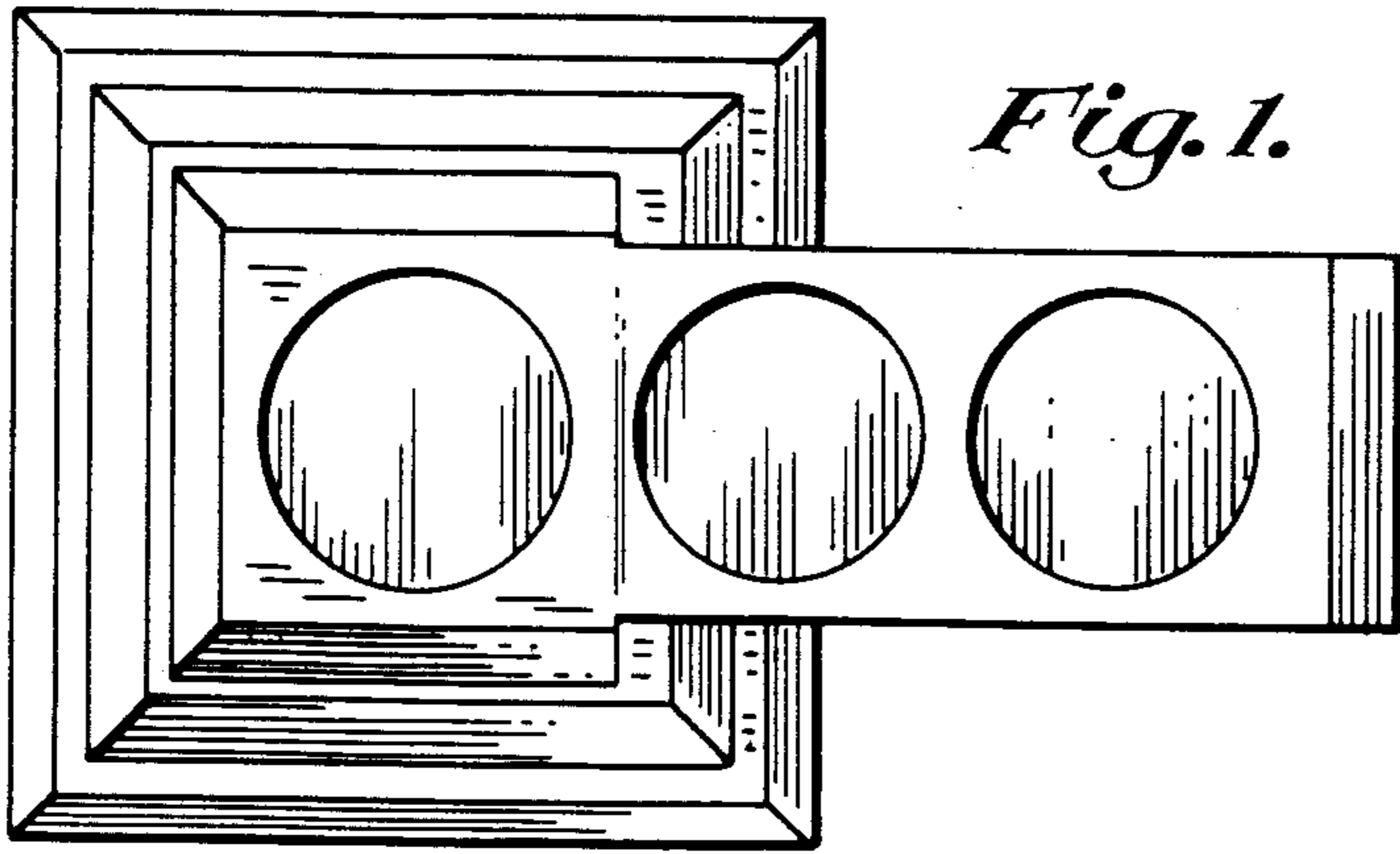


Fig. 1.

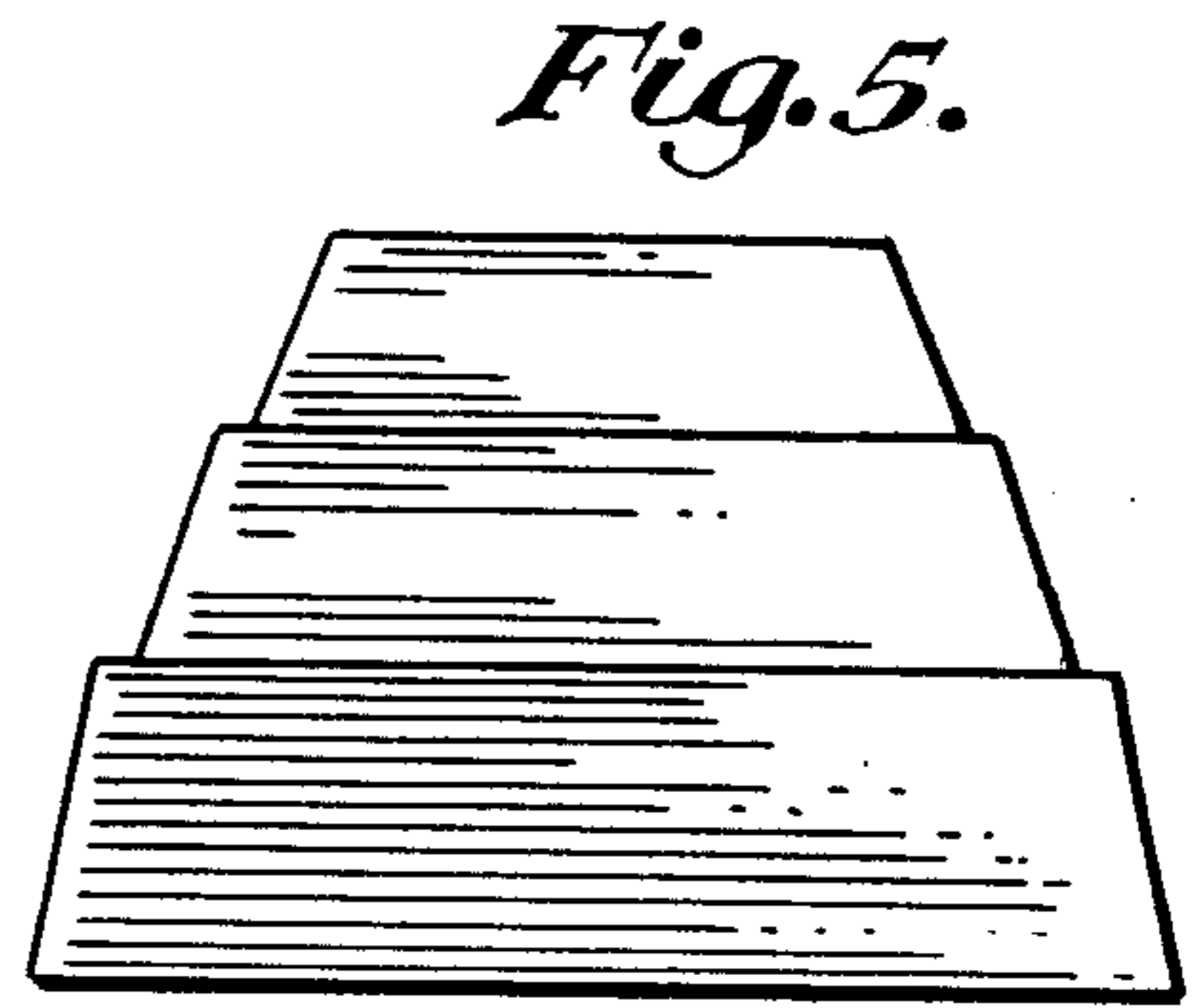


Fig. 5.

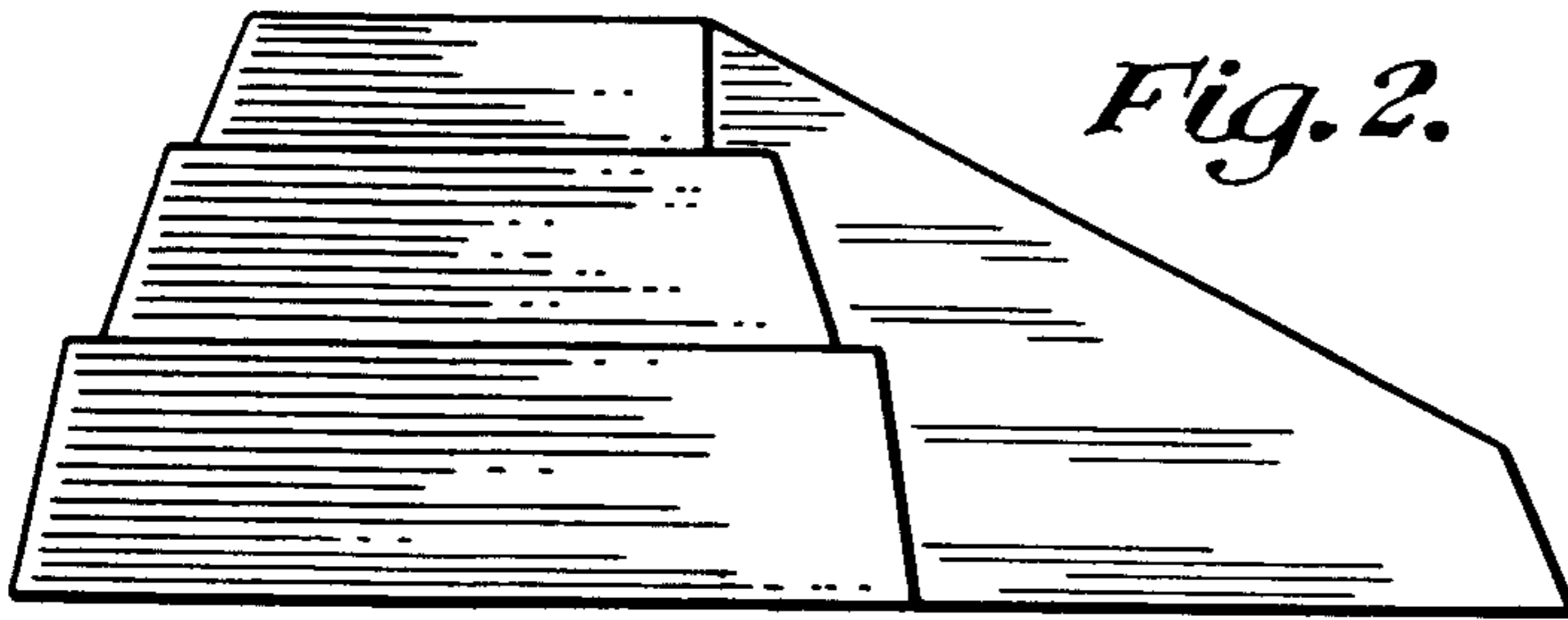


Fig. 2.

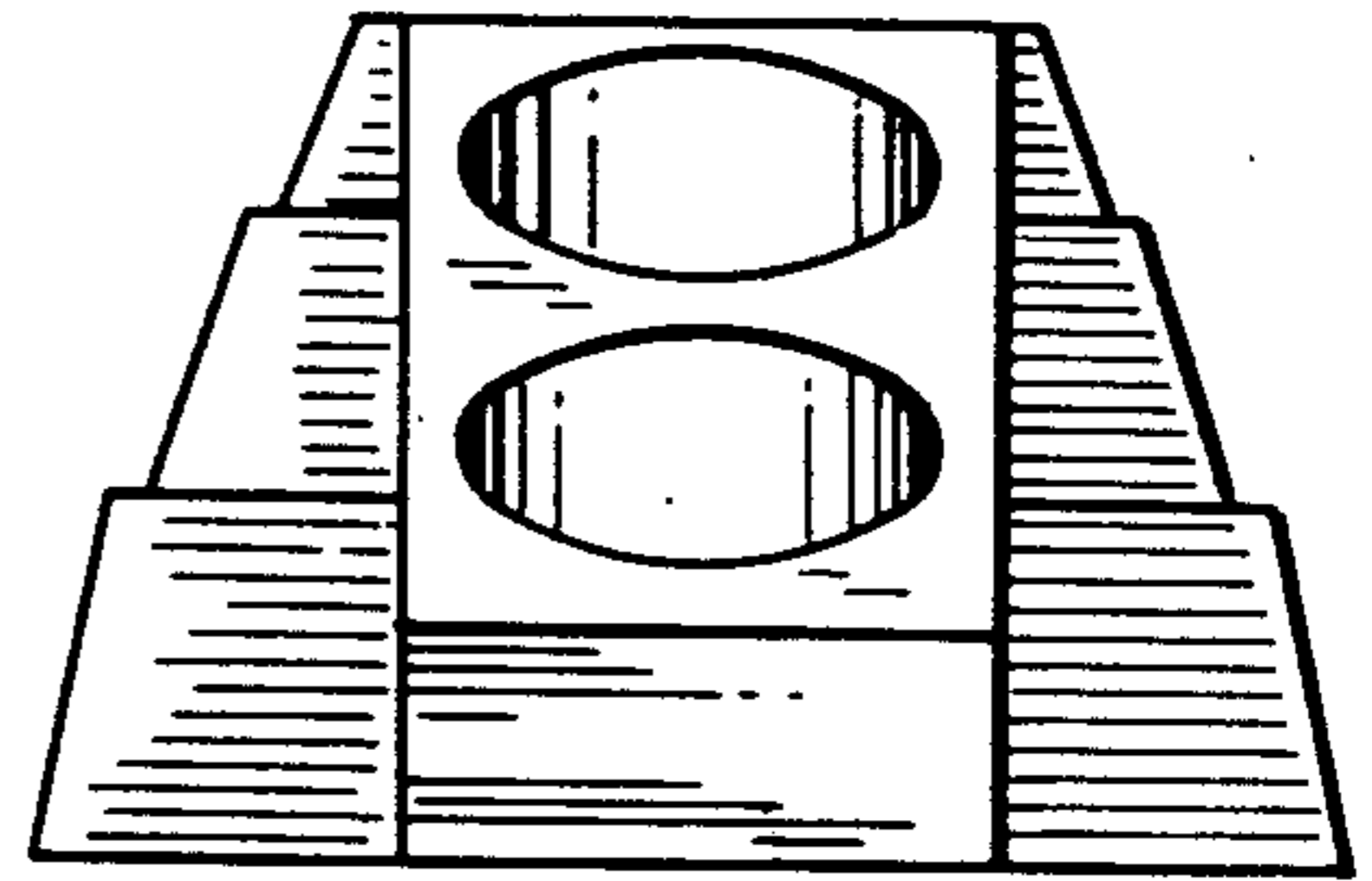


Fig. 4.

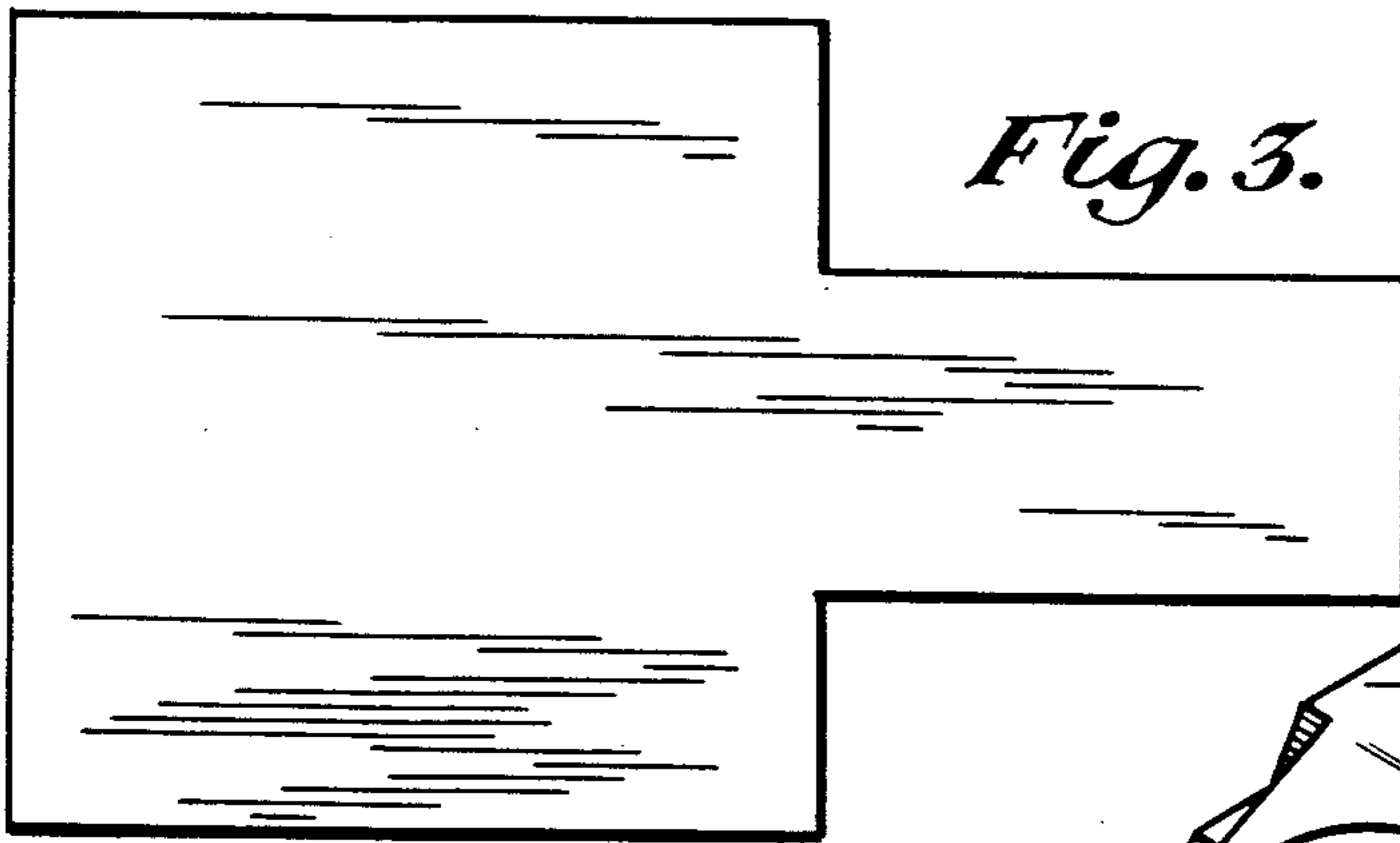


Fig. 3.

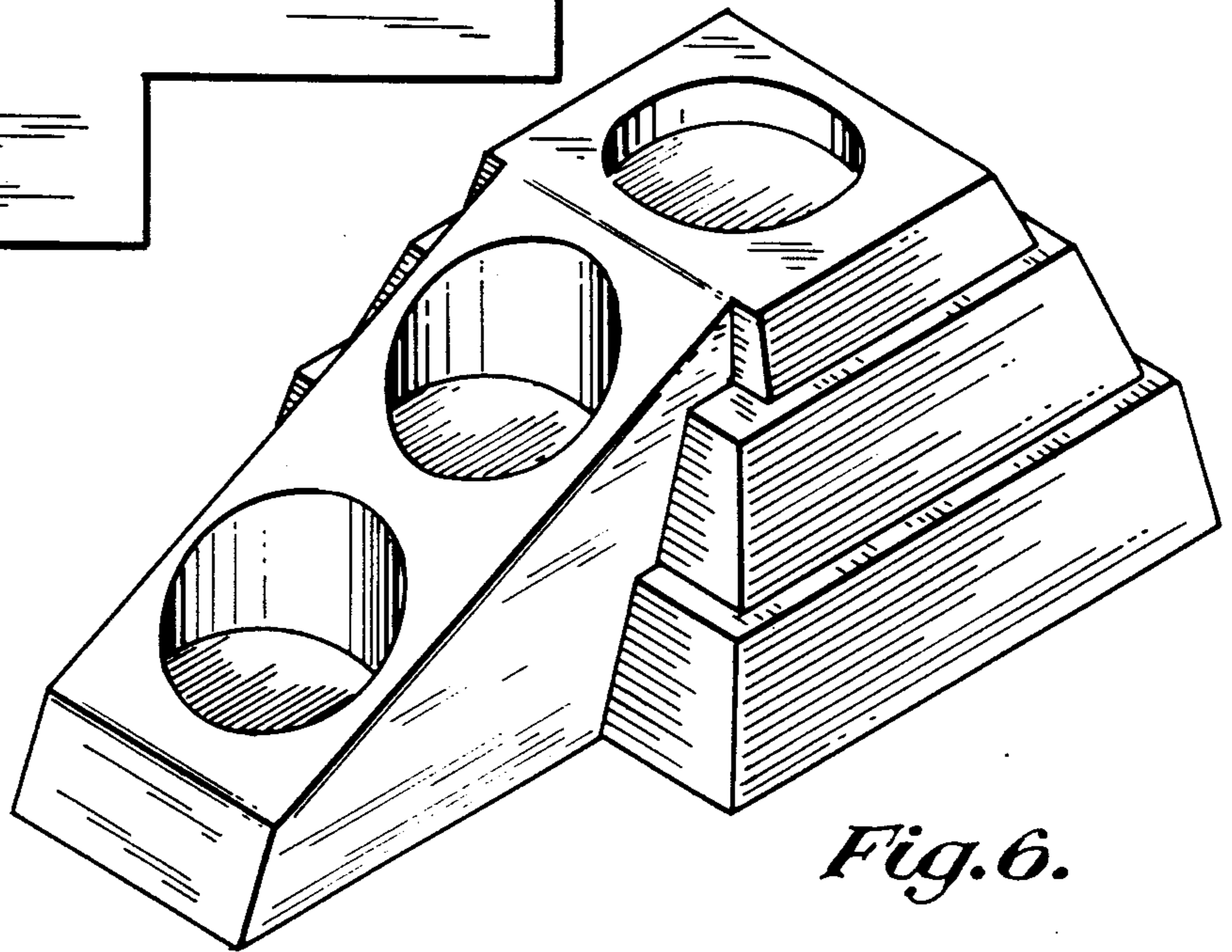


Fig. 6.