

[54] EXTRUDED BEAM

[76] Inventor: James C. Durbin, 2000 Old Lost Mountain Rd., Powder Springs, Ga. 30073

[\*\*] Term: 14 Years

[21] Appl. No.: 773,945

[22] Filed: Mar. 3, 1977

[51] Int. Cl. .... D25-01

[52] U.S. Cl. .... D25/75; D25/74; D25/77; D25/78

[58] Field of Search ..... D25/73, 74, 75, 76, D25/77, 78, 79; 52/302, 127, 239, 376, 242, 309, 696, 710, 729, 738, 723; 264/31; 249/18, 28, 188

[56] References Cited

U.S. PATENT DOCUMENTS

420,201	1/1890	Hodges .....	D25/75 X
1,586,053	5/1926	Snyder .....	D25/75 X
3,534,517	10/1970	Kann .....	D25/75 X

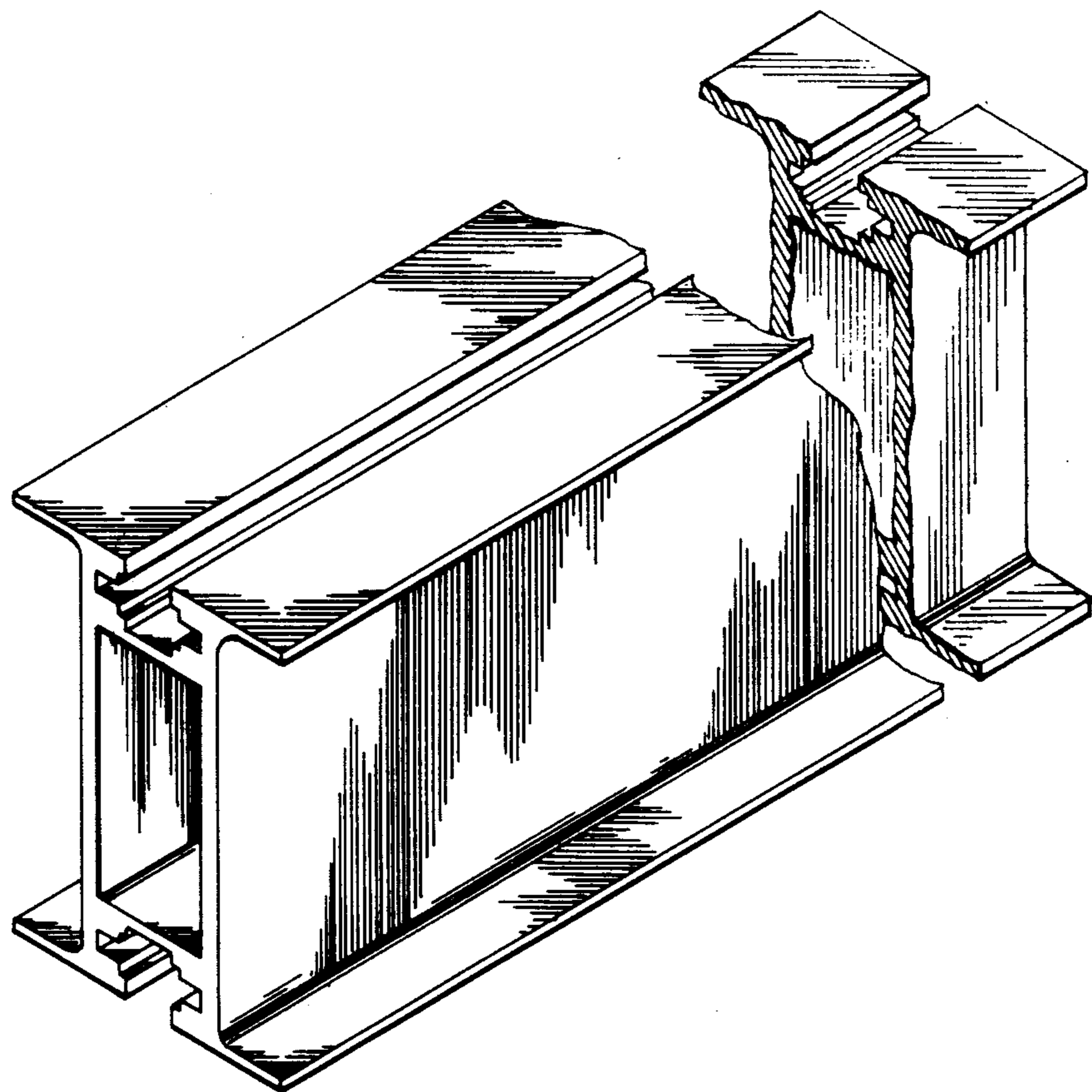
Primary Examiner—A. Hugo Word  
Attorney, Agent, or Firm—Harold D. Jones, Jr.

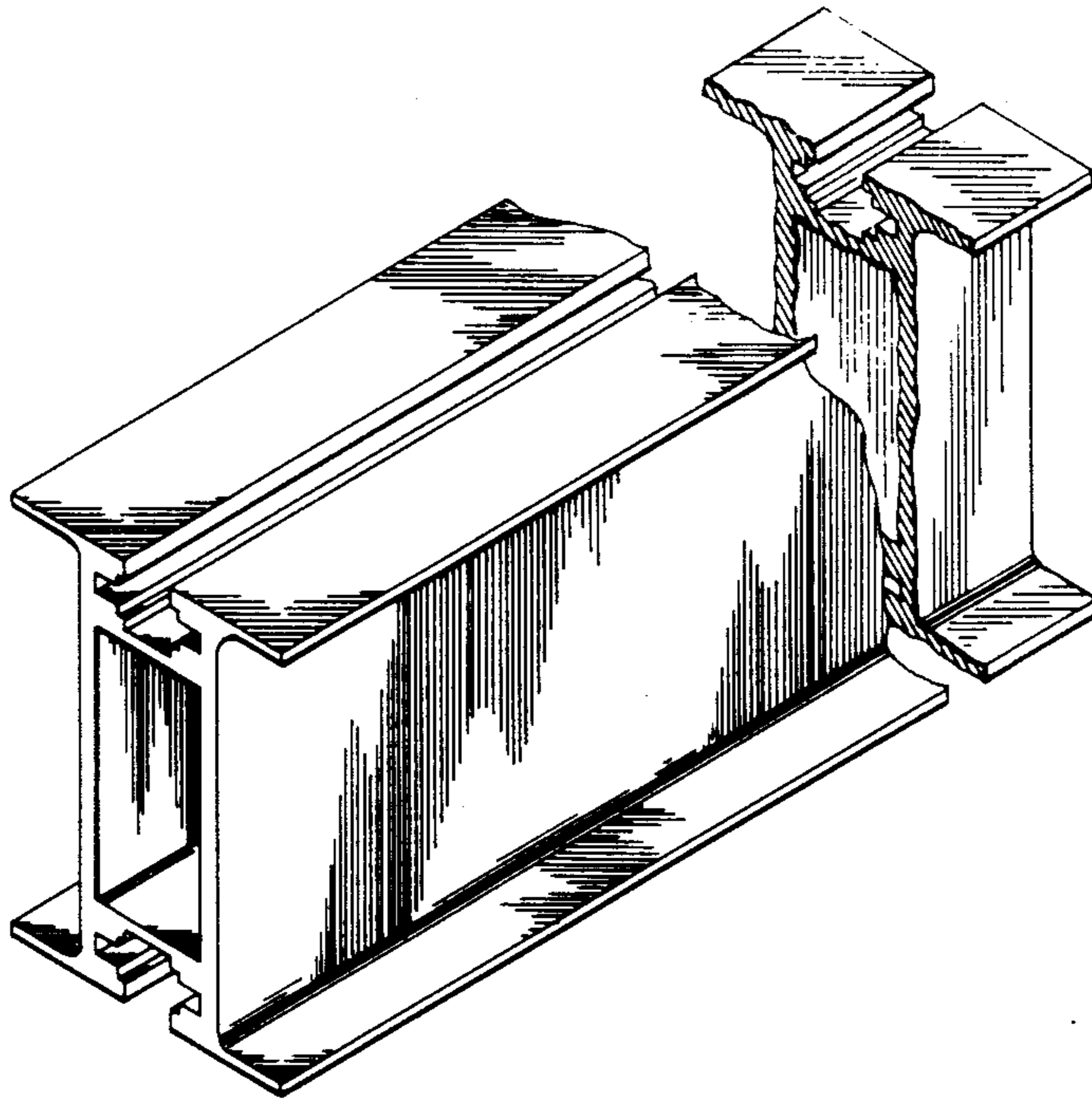
[57] CLAIM

The ornamental design for an extruded beam, substantially as shown and described.

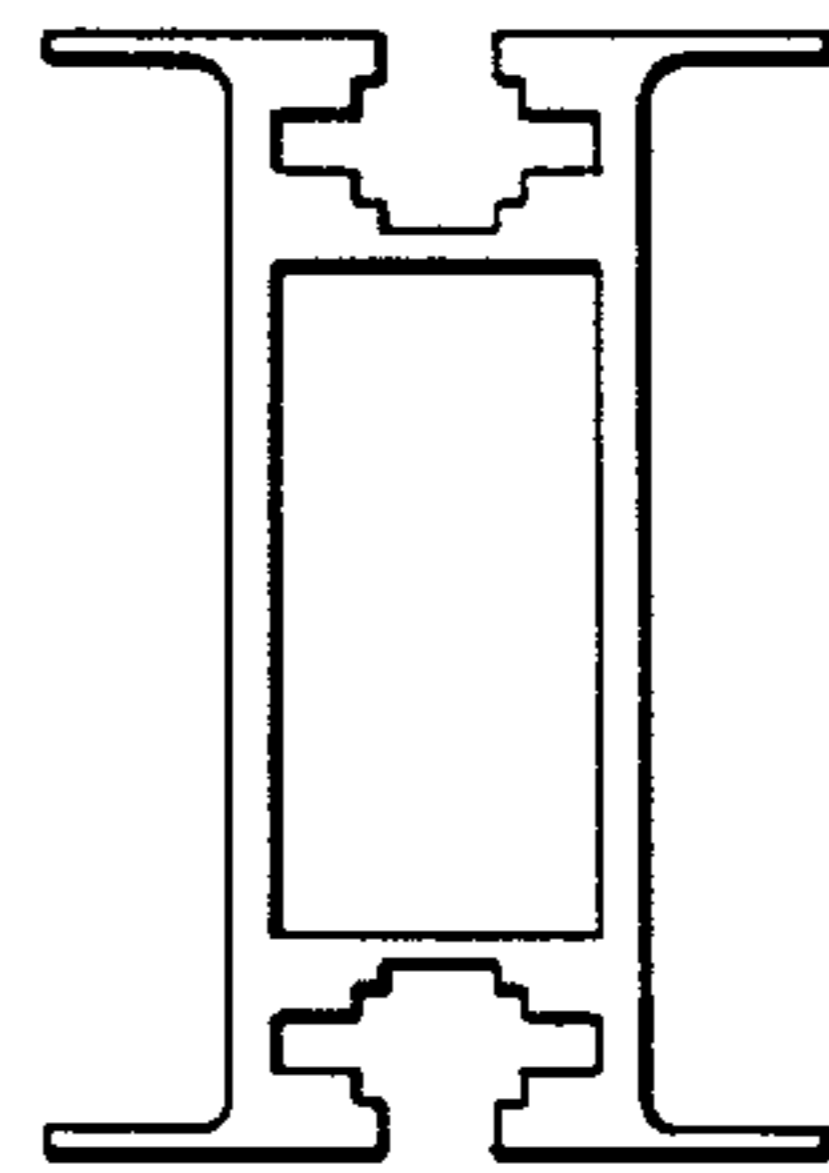
DESCRIPTION

FIG. 1 is a perspective view of the extruded beam;  
 FIG. 2 is an end view thereof, with the opposite end being identical thereto;  
 FIG. 3 is a side elevational view thereof, with the opposite side being identical thereto;  
 FIG. 4 is a top view thereof, with the bottom being identical thereto;  
 FIG. 5 is a perspective view of a modified extruded beam;  
 FIG. 6 is an end view thereof, with the opposite end being identical thereto;  
 FIG. 7 is a side elevational view thereof, with the opposite side being identical thereto; and  
 FIG. 8 is a top view thereof, with the bottom being identical thereto.

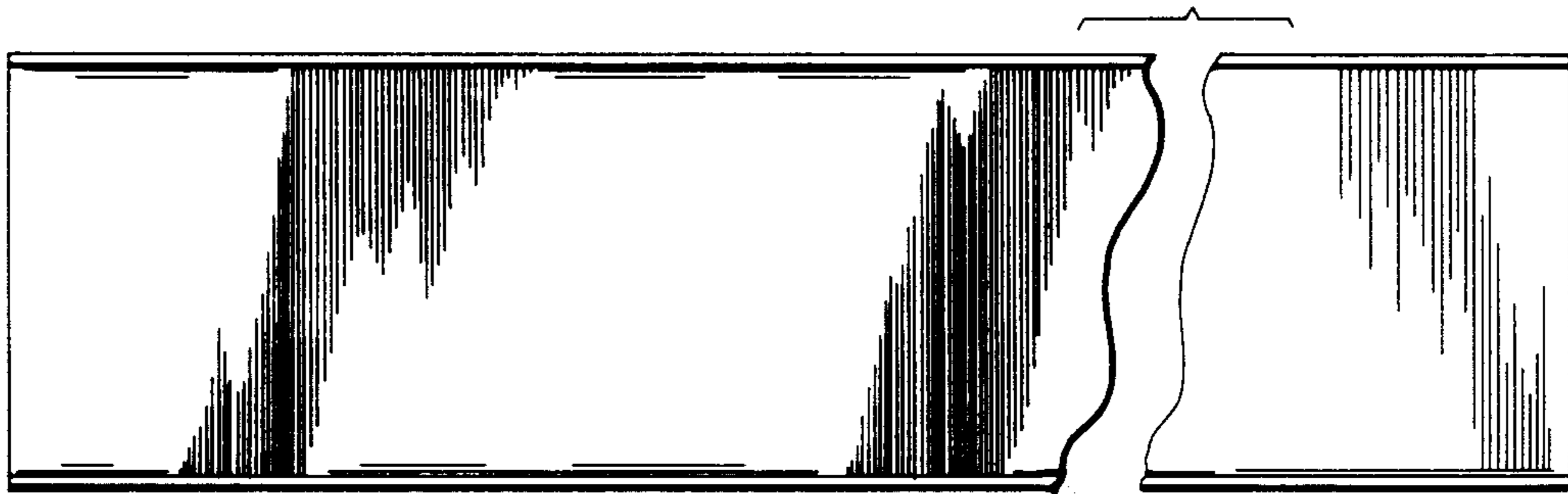




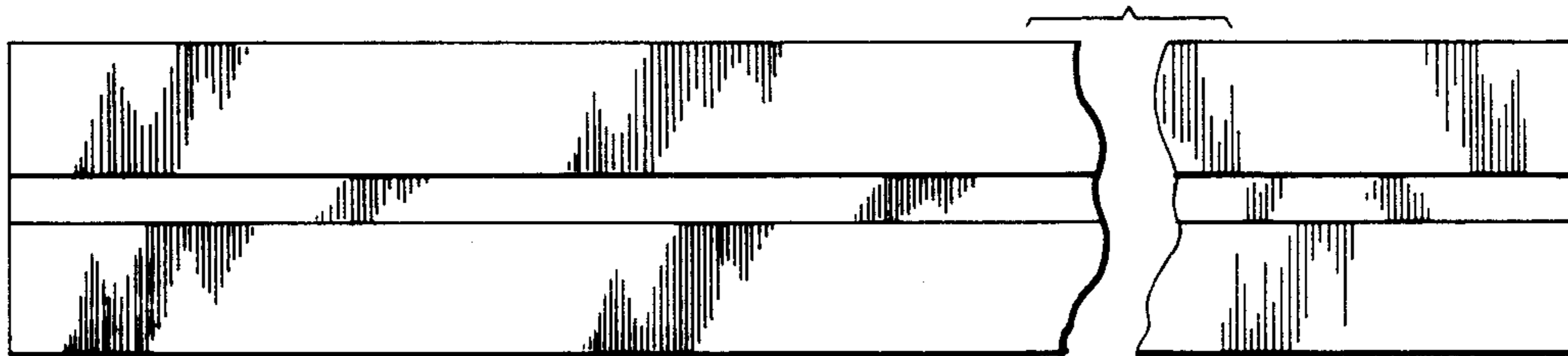
*Fig. 1*



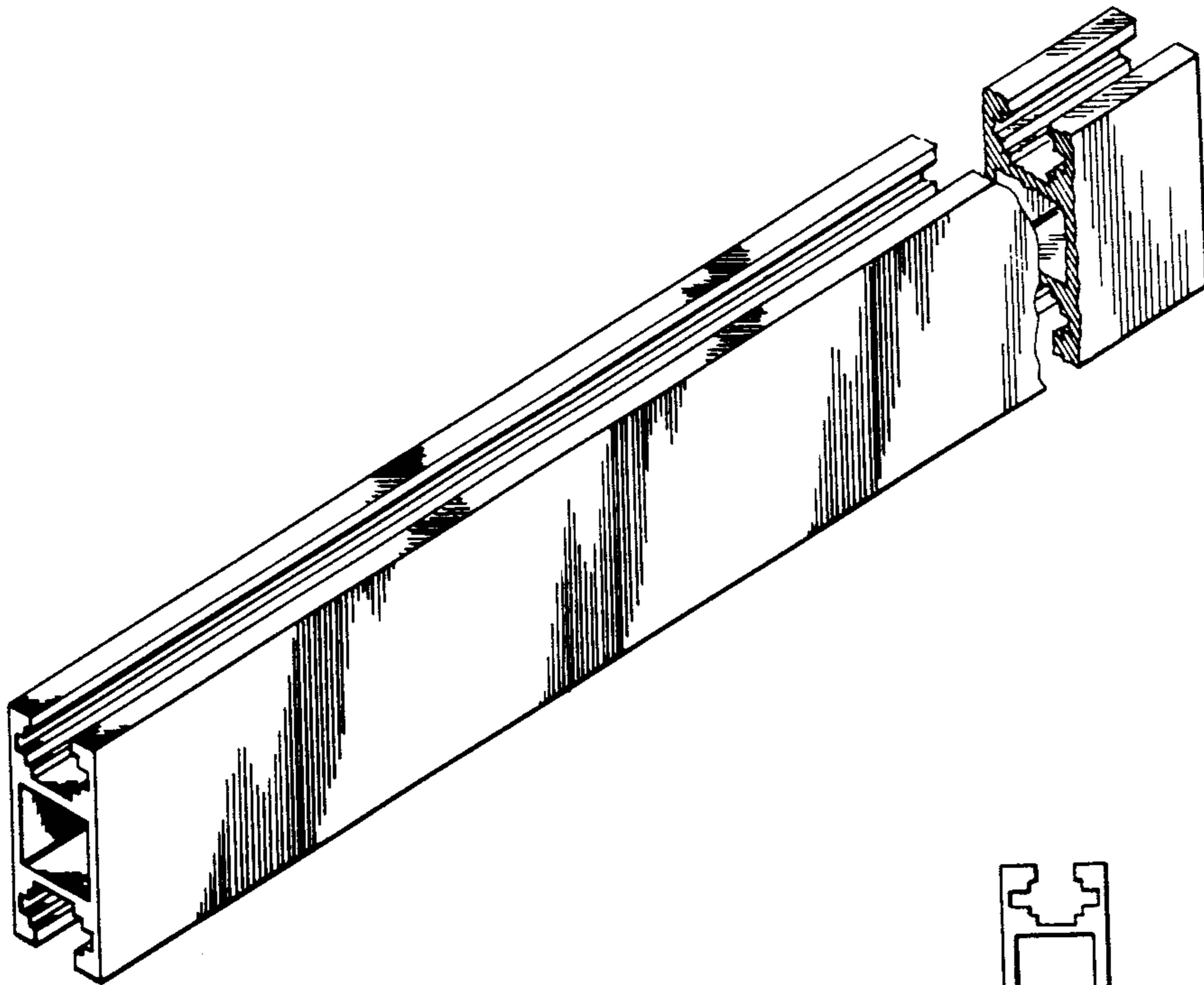
*Fig. 2*



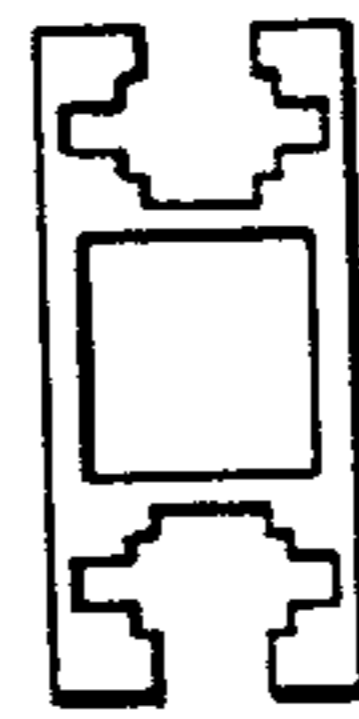
*Fig. 3*



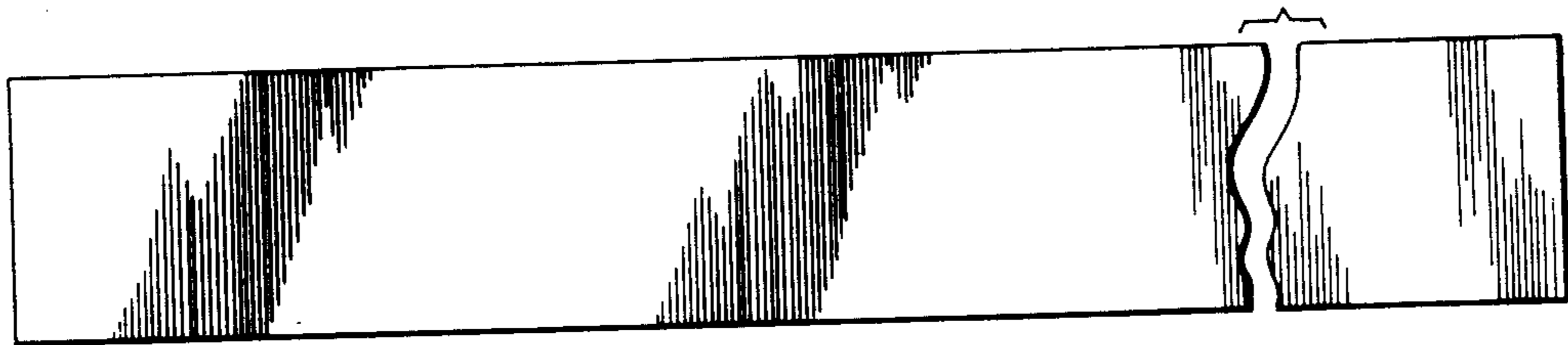
*Fig. 4*



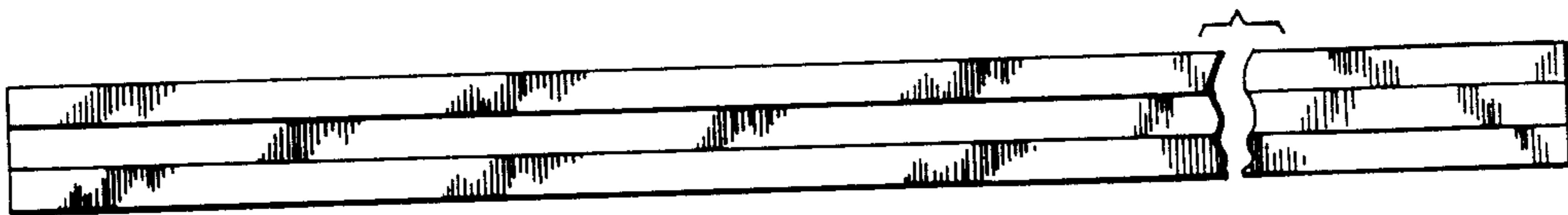
**Fig. 5**



**Fig. 6**



**Fig. 7**



**Fig. 8**