

[54] COMBINED BUILDING AND FOUNTAIN

2,978,074 4/1961 Schmidt D25/13 X
3,841,039 10/1974 Farmsworth D25/19 X

[76] Inventor: Timothy Roberts, Jr., Box
R-BHI-HDMC, New York, N.Y.
09202

Primary Examiner—A. Hugo Word
Attorney, Agent, or Firm—James E. Bryan

[**] Term: 3½ Years

[57] CLAIM

[21] Appl. No.: 846,607

The ornamental design for a combined building and fountain, substantially as shown and described.

[22] Filed: Oct. 28, 1977

DESCRIPTION

[51] Int. Cl. D25—03

FIG. 1 is a perspective view of the building-fountain showing my new design with the fountain in operation, FIG. 2 is a view in elevation with the combined building and fountain not in operation, FIG. 3 is a top view with the combined building and fountain not in operation, FIG. 4 is an end view looking from right to left in FIG. 2, and FIG. 5 is an end view looking from left to right in FIG. 2.

[52] U.S. Cl. D25/7; D23/13;
D25/3; D25/19; D25/31; D25/33

[58] Field of Search D23/13; 239/17, 20,
239/23; D25/1, 3, 5, 7, 9, 13, 19, 31, 32, 33, 2

[56] References Cited

U.S. PATENT DOCUMENTS

D. 75,862 7/1928 Nelson D25/7 X
655,255 8/1900 Lyouns D25/7 X

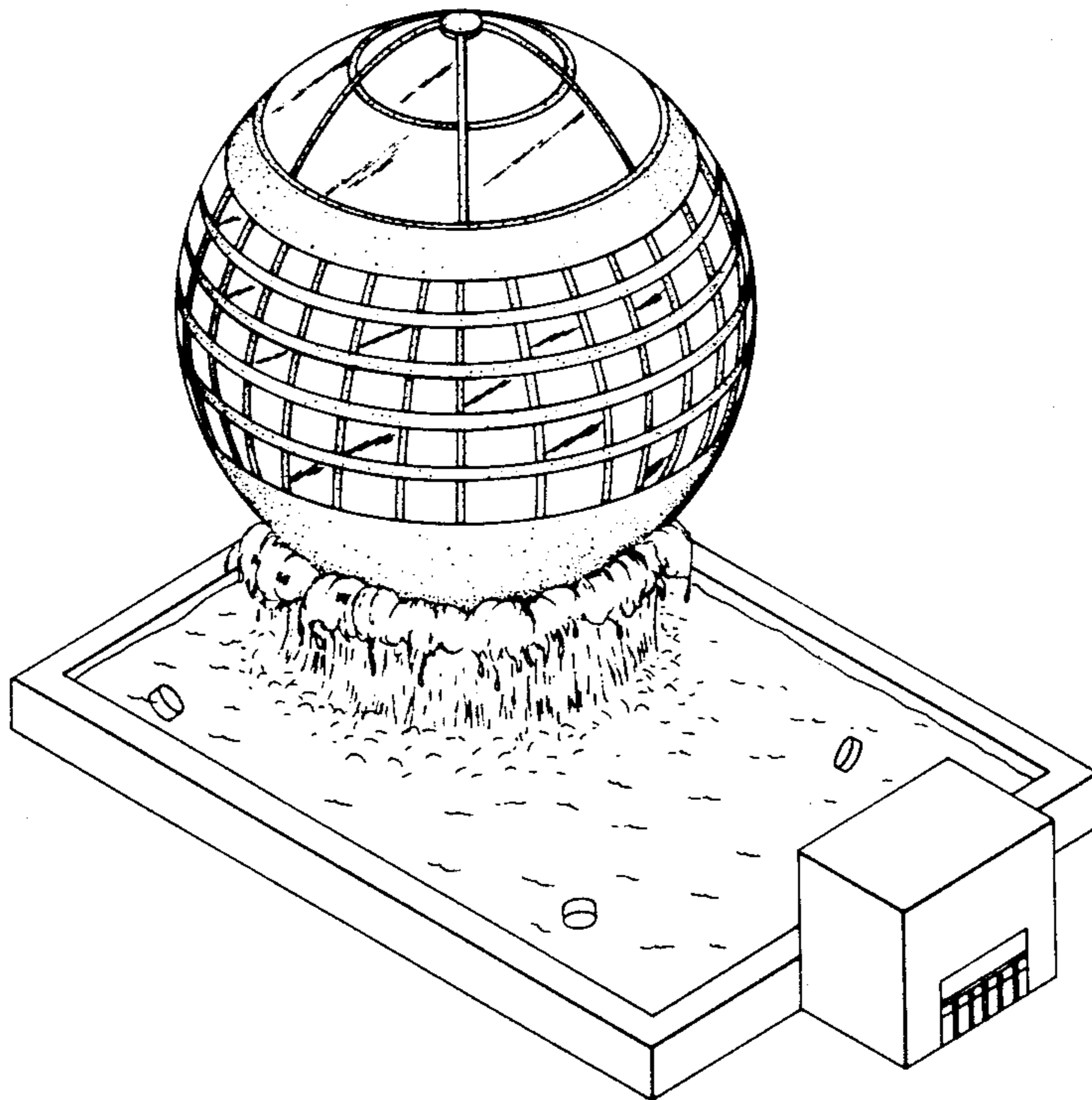
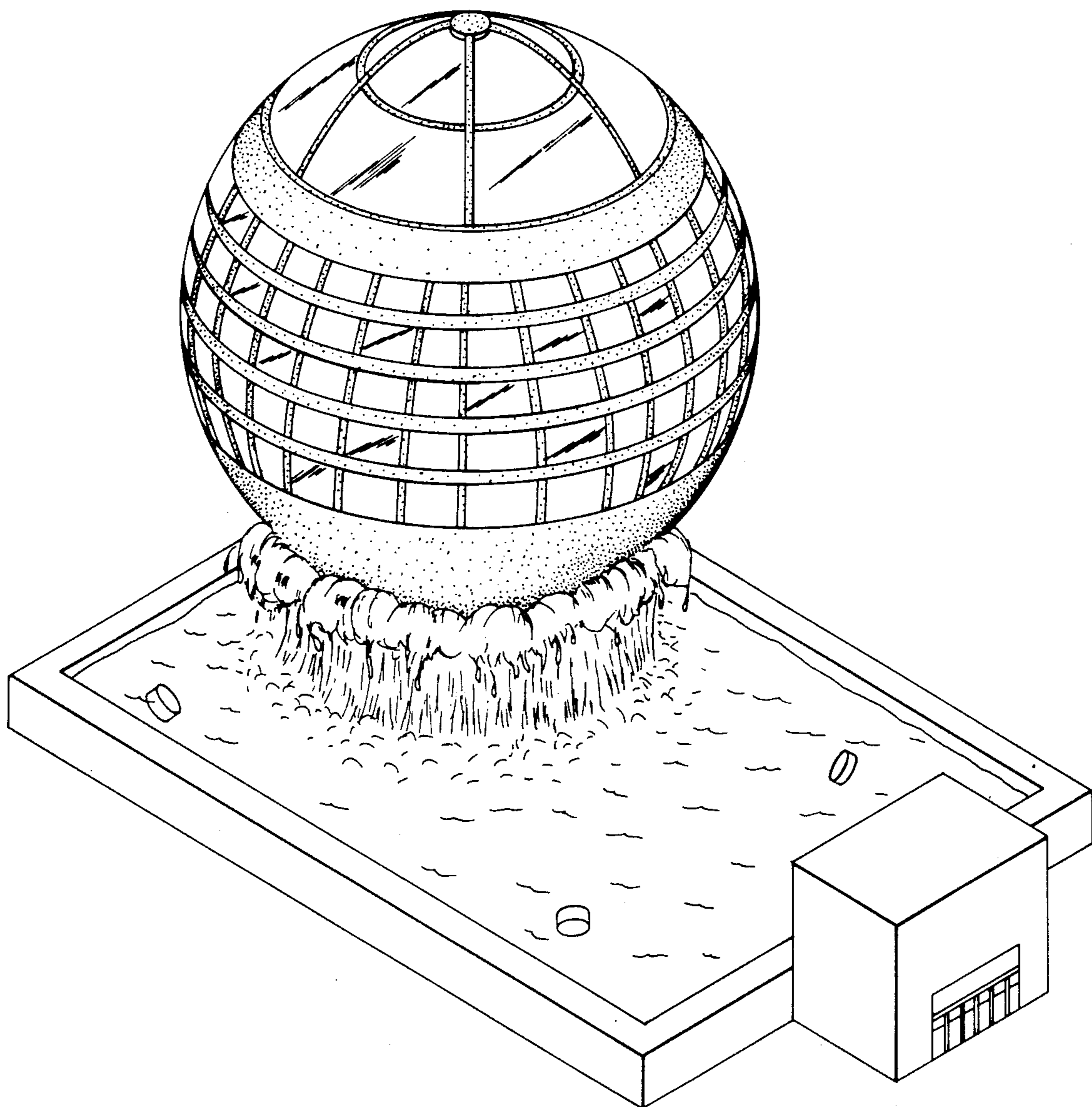


FIG. 1



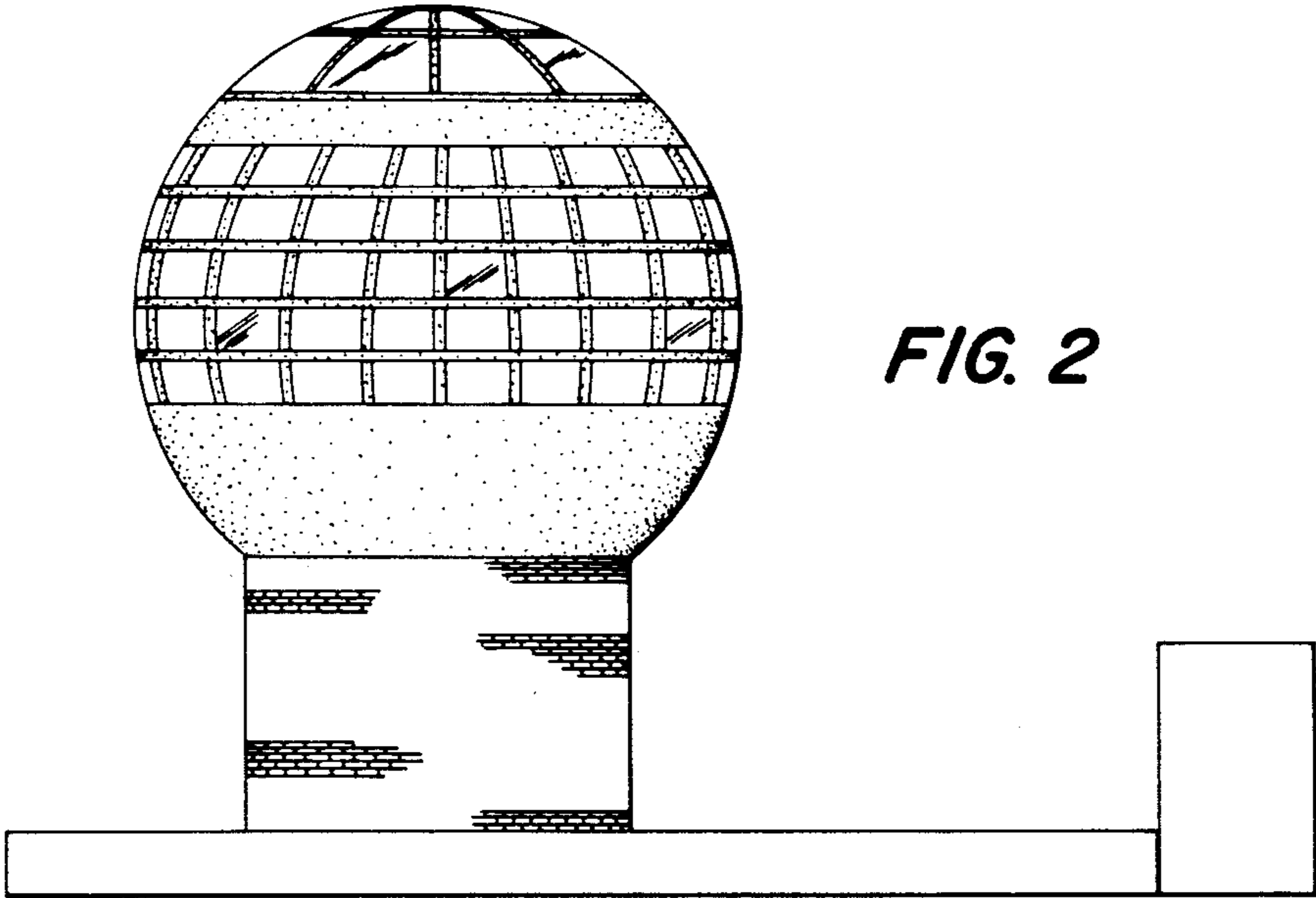


FIG. 2

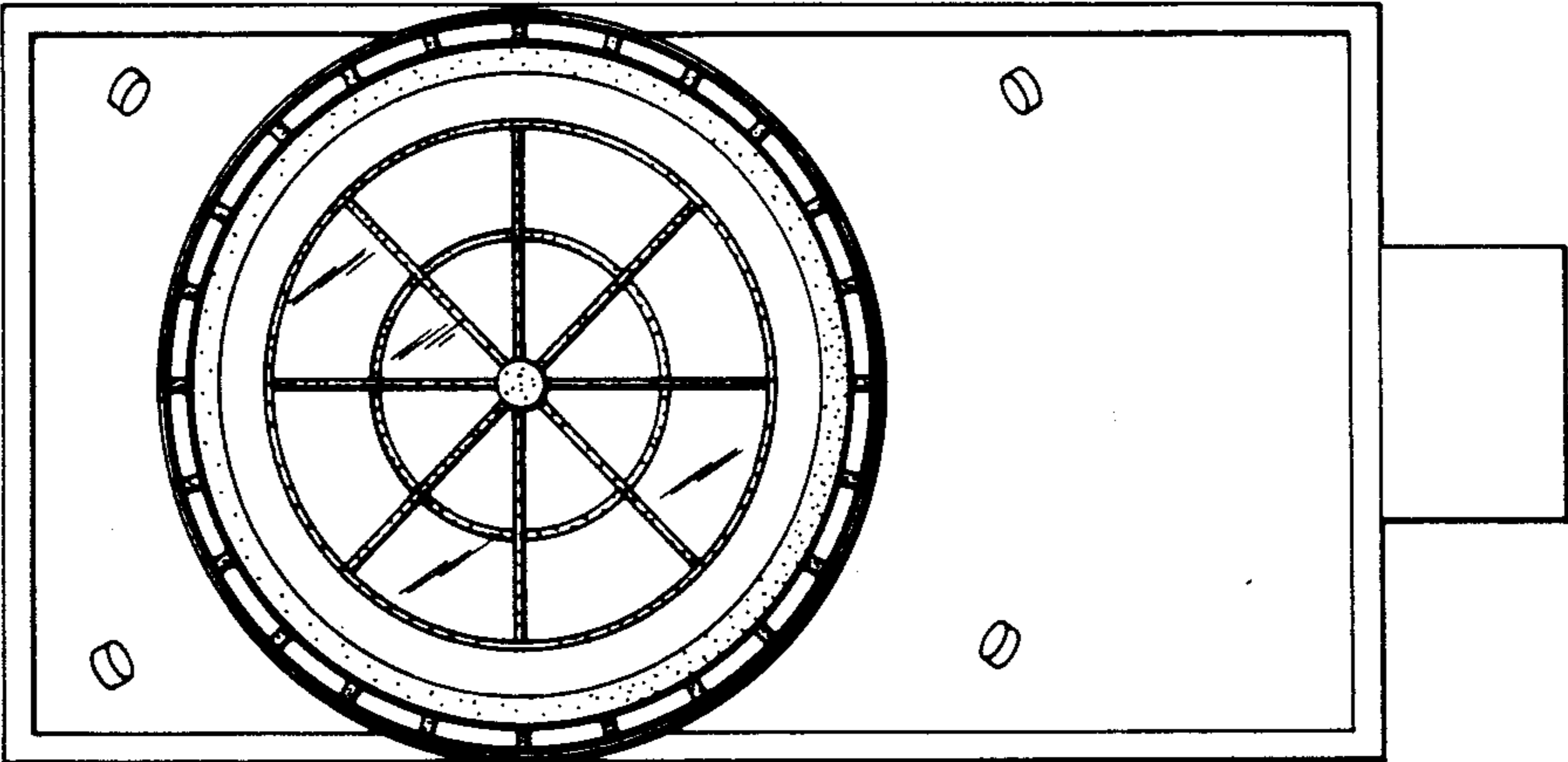


FIG. 3

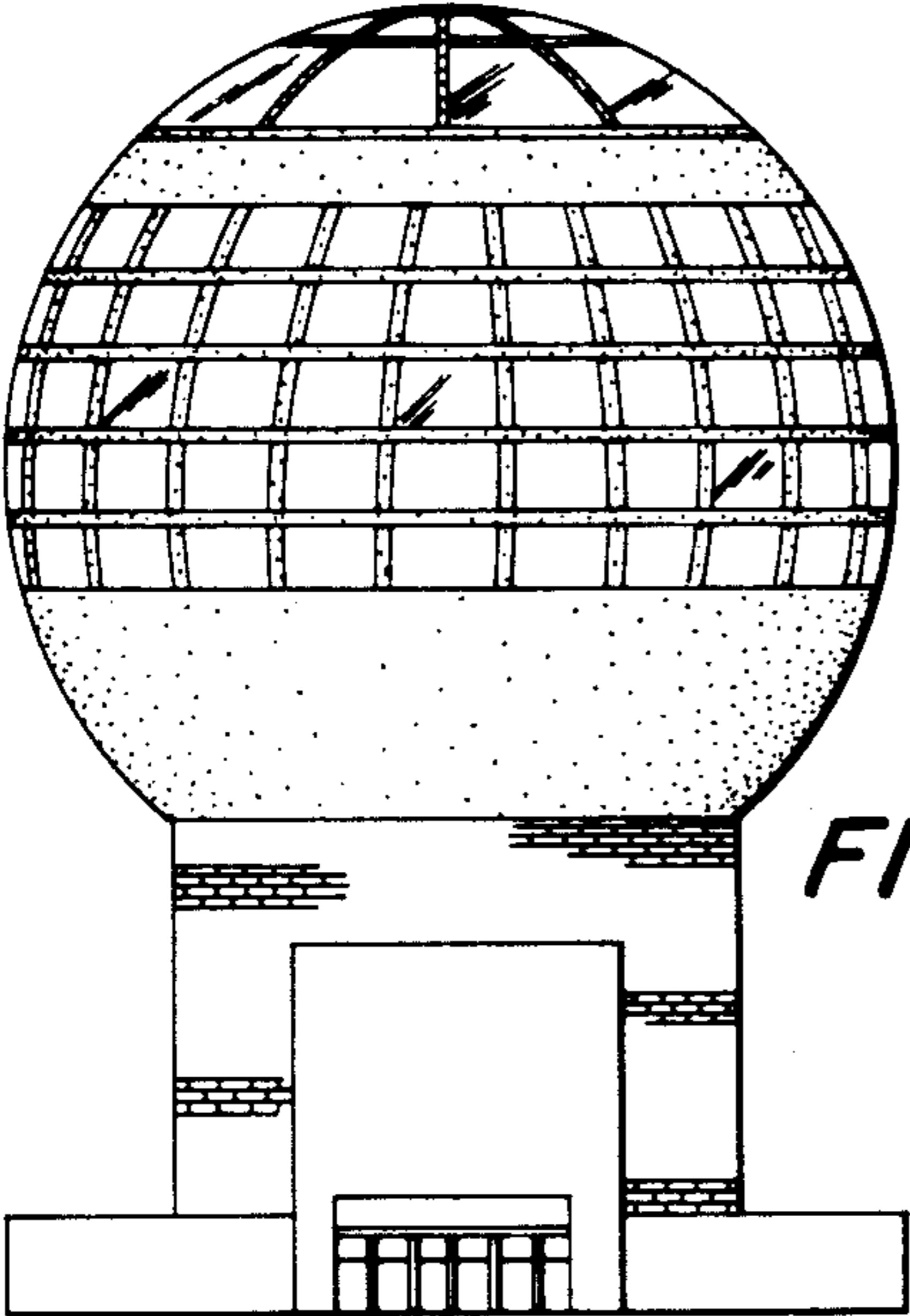


FIG. 4

FIG. 5

