

[54] OPTICAL SIGHT MOUNT

[76] Inventor: **Ronald E. Elbe**, 2830 Cedar St.,
Davenport, Iowa 52804

[**] Term: **14 Years**

[21] Appl. No.: **842,835**

[22] Filed: **Oct. 17, 1977**

[51] Int. Cl. **D22-01**

[52] U.S. Cl. **D22/7; D22/1**

[58] Field of Search **42/71 P, 1 S, 1 ST;**
33/50; D22/1, 7

[56] **References Cited**

U.S. PATENT DOCUMENTS

D. 216,014	11/1969	Dupont	D22/7
D. 230,974	3/1974	Howlett	D22/1
D. 232,633	9/1974	Weast	D22/7

OTHER PUBLICATIONS

Gun World, Oct. 1977, p. 22, illustration at top of page.

Primary Examiner—A. Hugo Word
Attorney, Agent, or Firm—Nathan Edelberg

[57] **CLAIM**

The ornamental design for an optical sight mount, substantially as shown and described.

DESCRIPTION

FIG. 1 is a perspective view of the optical sight mount with a hand gun and optical sight shown in phantom lines for illustrative purposes only;

FIG. 2 is a front elevational view of the optical sight mount;

FIG. 3 is a left side view thereof;

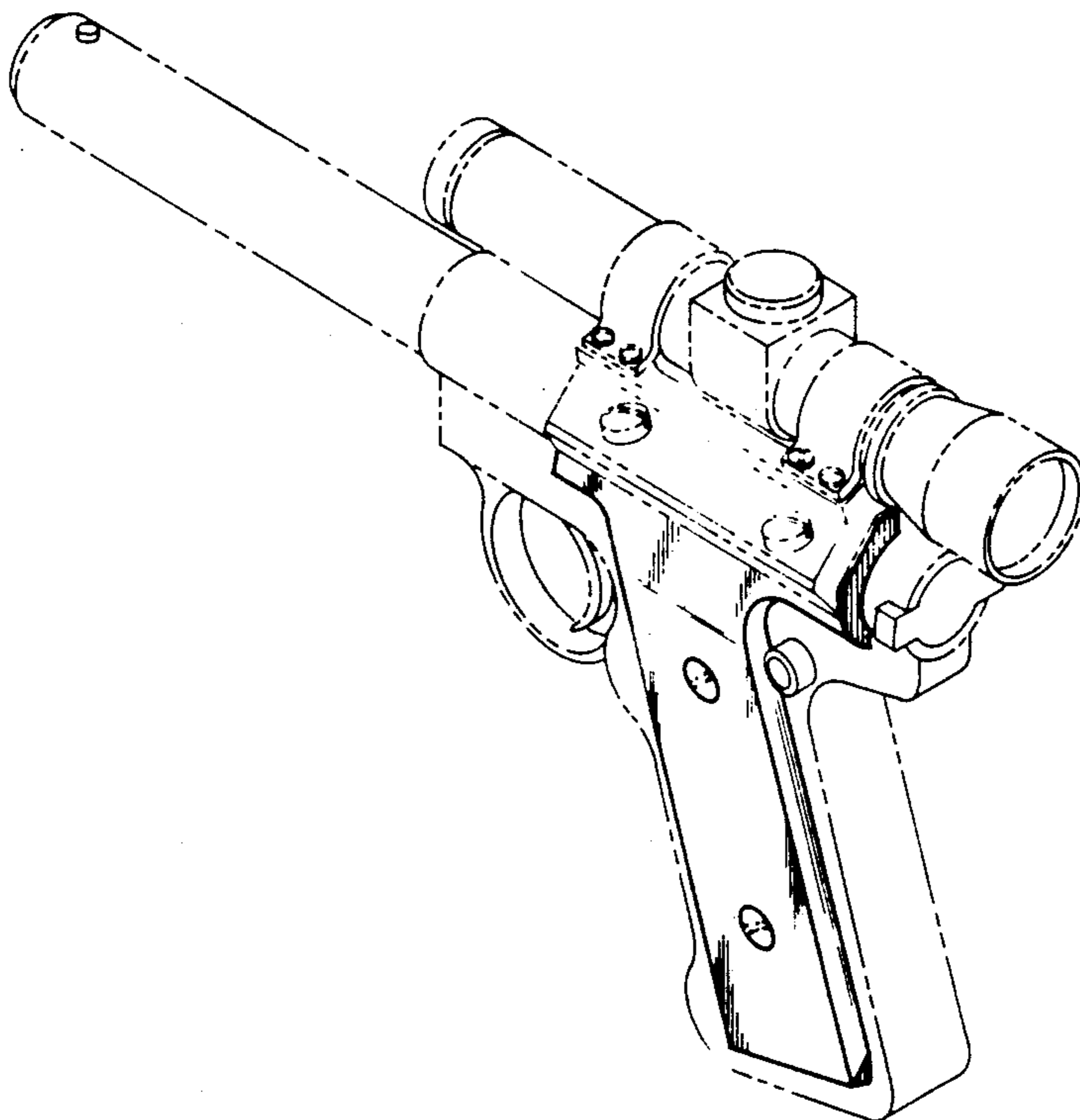
FIG. 4 is a rear elevational view of the optical sight mount;

FIG. 5 is a right side view thereof;

FIG. 6 is a top plan view thereof;

FIG. 7 is a bottom plan view thereof; and

FIG. 8 is a perspective view of the optical sight mount.



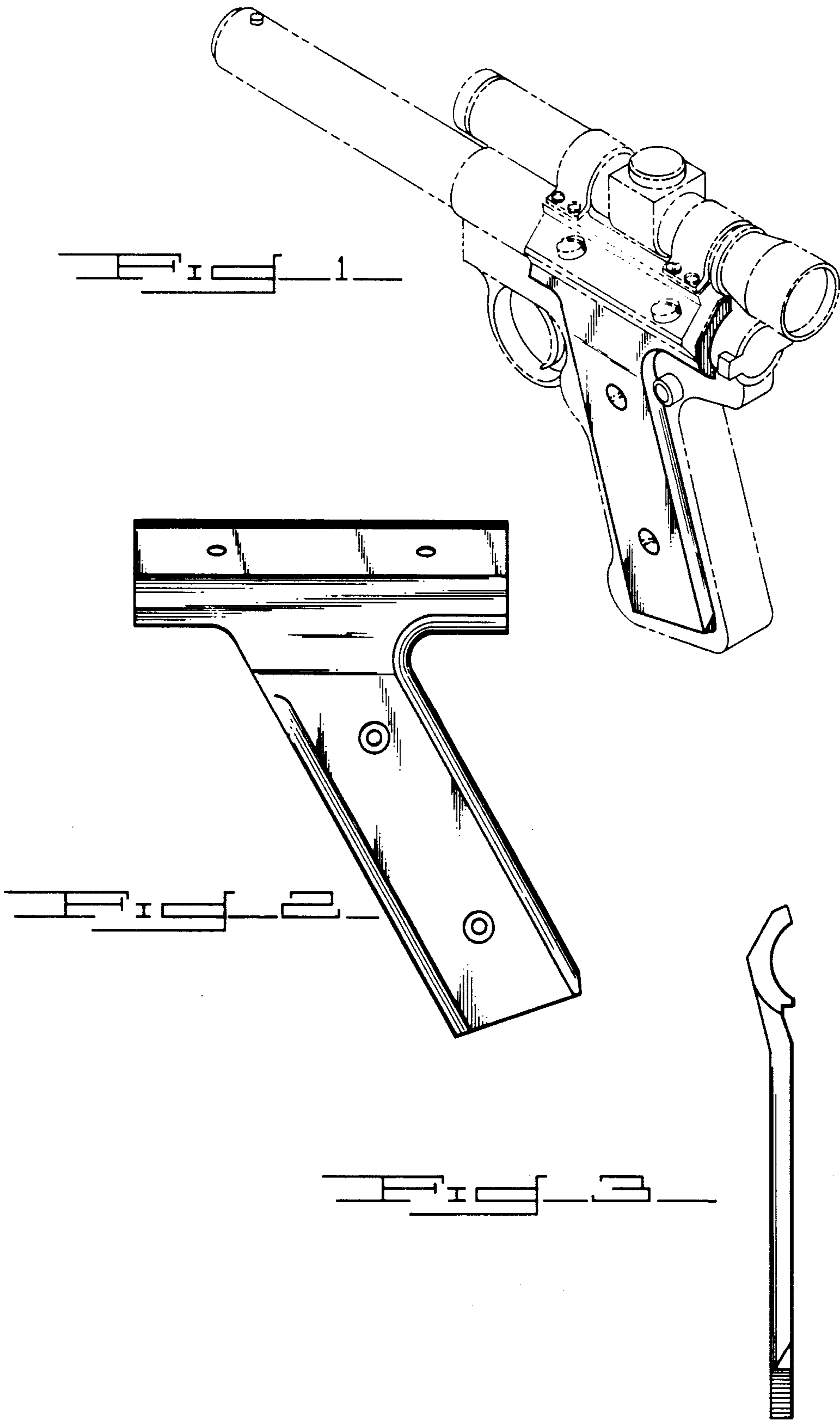




Fig. 3

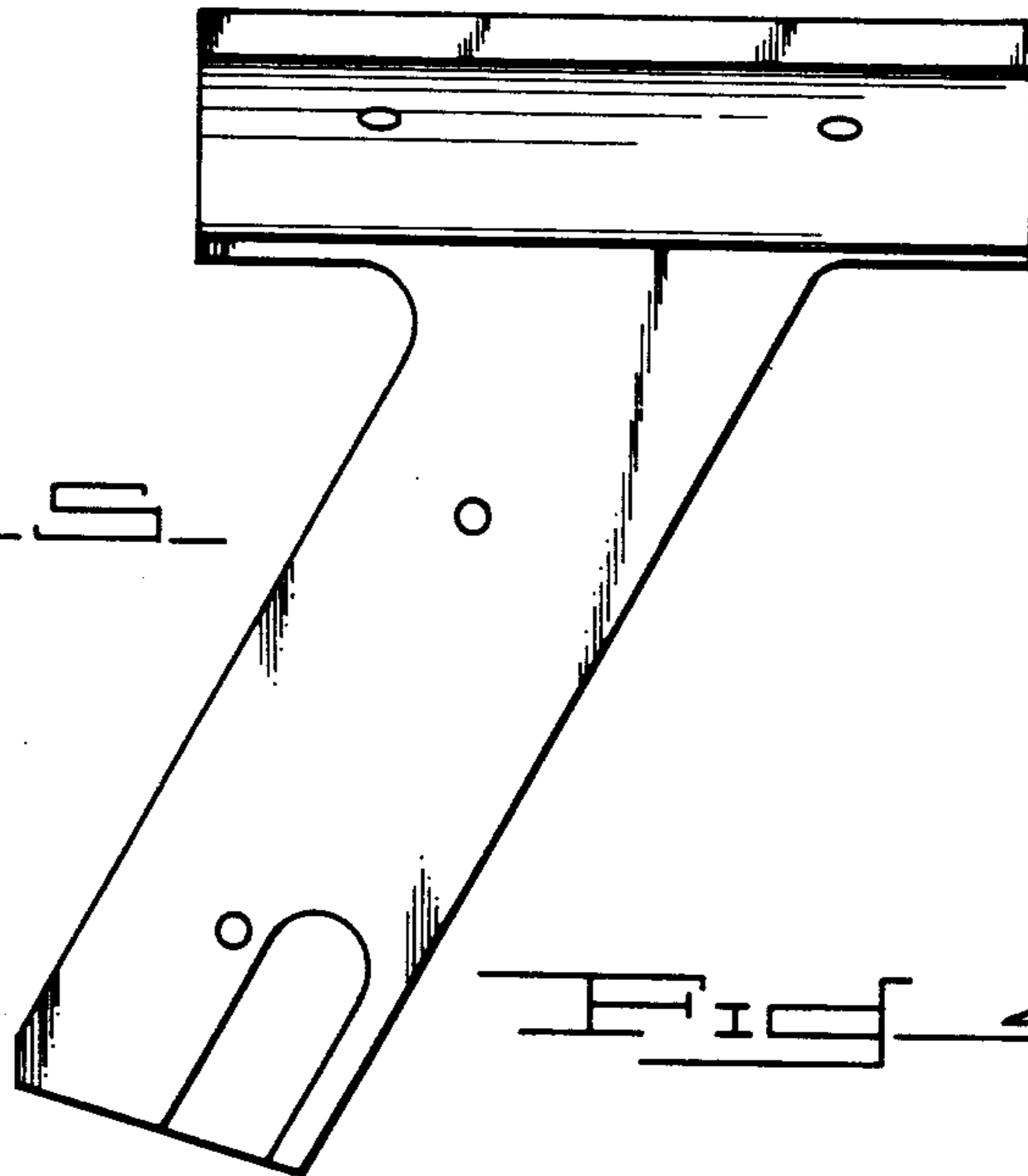


Fig. 4

Fig. 6

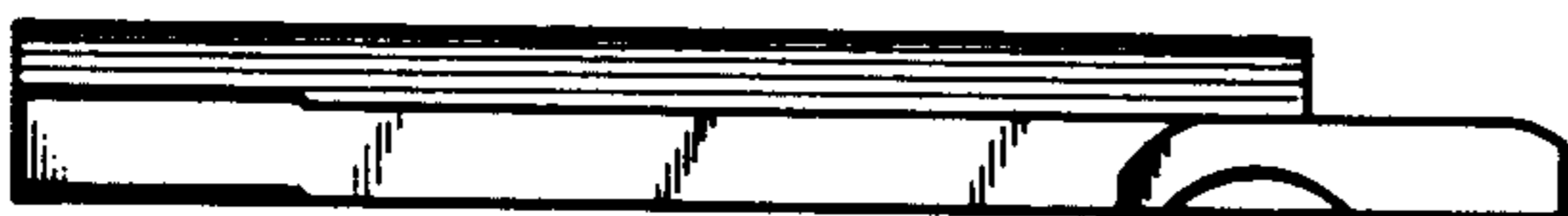
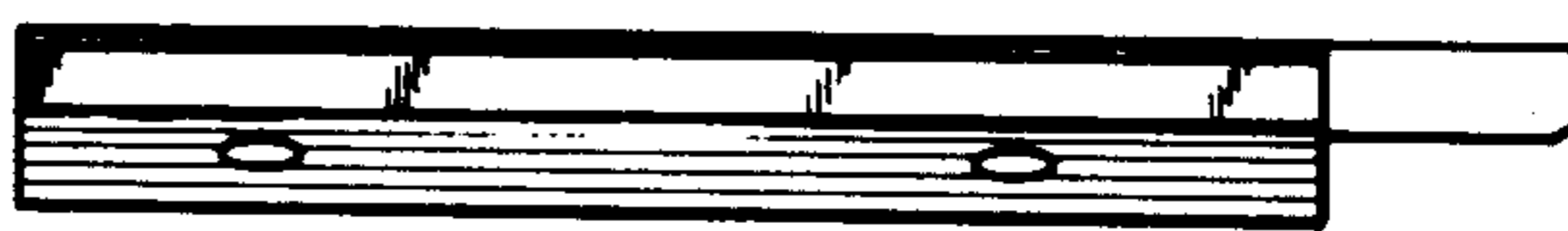


Fig. 7

Fig. 8

