

[54] TOY JET

[75] Inventor: Iwakichi Ogawa, Kashiwa, Japan

[73] Assignee: Takara Co., Ltd., Tokyo, Japan

[**] Term: 14 Years

[21] Appl. No.: 899,094

[22] Filed: Apr. 21, 1978

Related U.S. Application Data

[63] Continuation-in-part of Ser. No. 694,138, Jun. 9, 1976, abandoned.

[51] Int. Cl. D21-01

[52] U.S. Cl. D21/87

[58] Field of Search D34/15 HH; D12/71, 73, D12/77, 78, 80; 46/76 R, 77, 78, 79, 80, 81, 89, 76 A

[56] References Cited

U.S. PATENT DOCUMENTS

2,396,886 3/1946 Rossiter 46/76 R
3,860,200 1/1975 Petrushka D12/71

OTHER PUBLICATIONS

Popular Science, 3-1949, p. 116, Jet.
Sears Wishbook, 1975, p. 584, Toy Jet, near center of page.

Primary Examiner—Joel Stearman
Assistant Examiner—Charles A. Rademaker
Attorney, Agent, or Firm—Harold L. Jackson

[57] CLAIM

The ornamental design for a toy jet, substantially as shown and described.

DESCRIPTION

FIG. 1 is a front perspective view of a toy jet showing my new design;
FIG. 2 is a side elevational view thereof;
FIG. 3 is a top plan view thereof;
FIG. 4 is a bottom plan view thereof;
FIG. 5 is a front elevational view thereof; and,
FIG. 6 is a rear elevational view thereof.

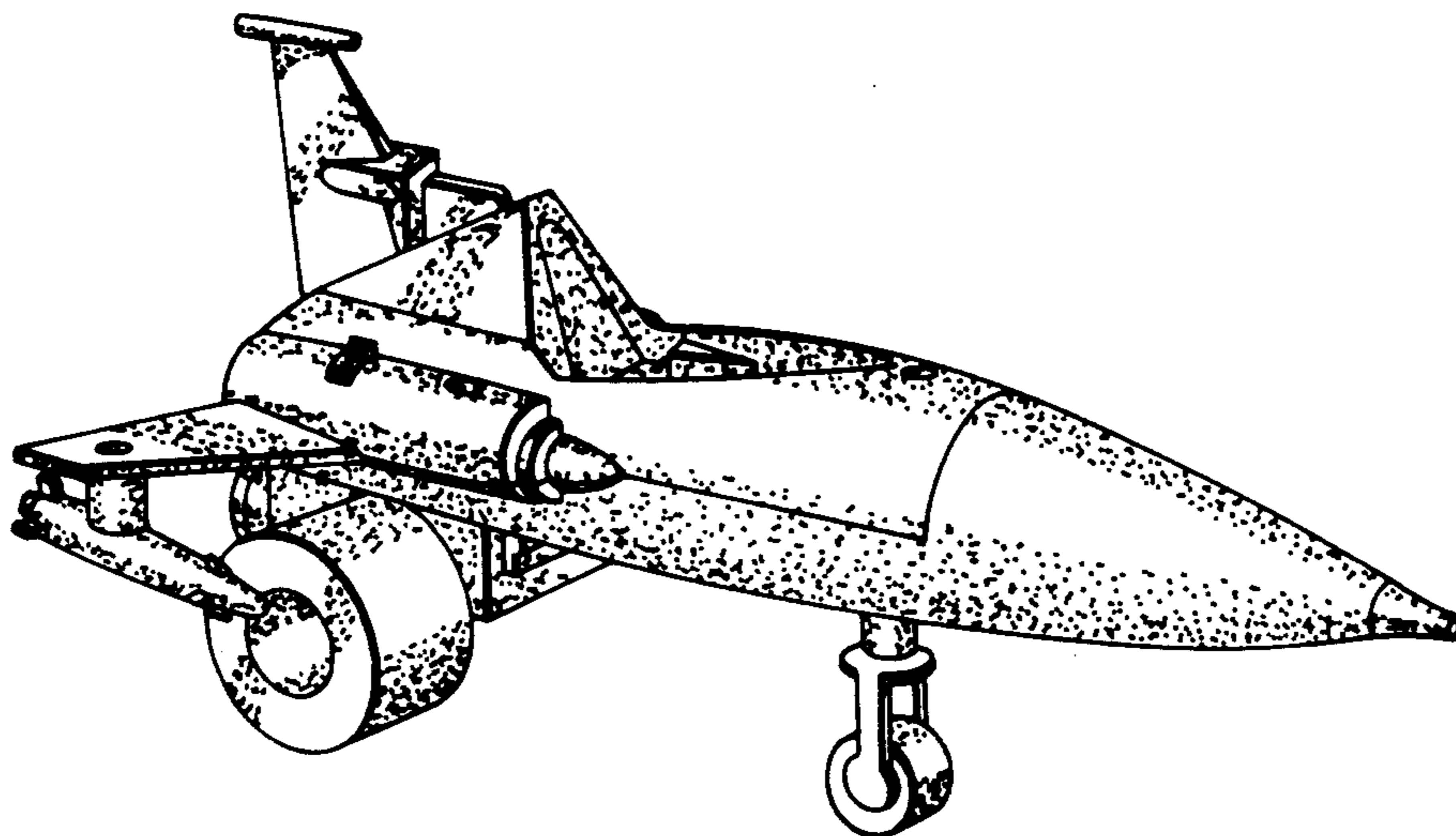


FIG. 1

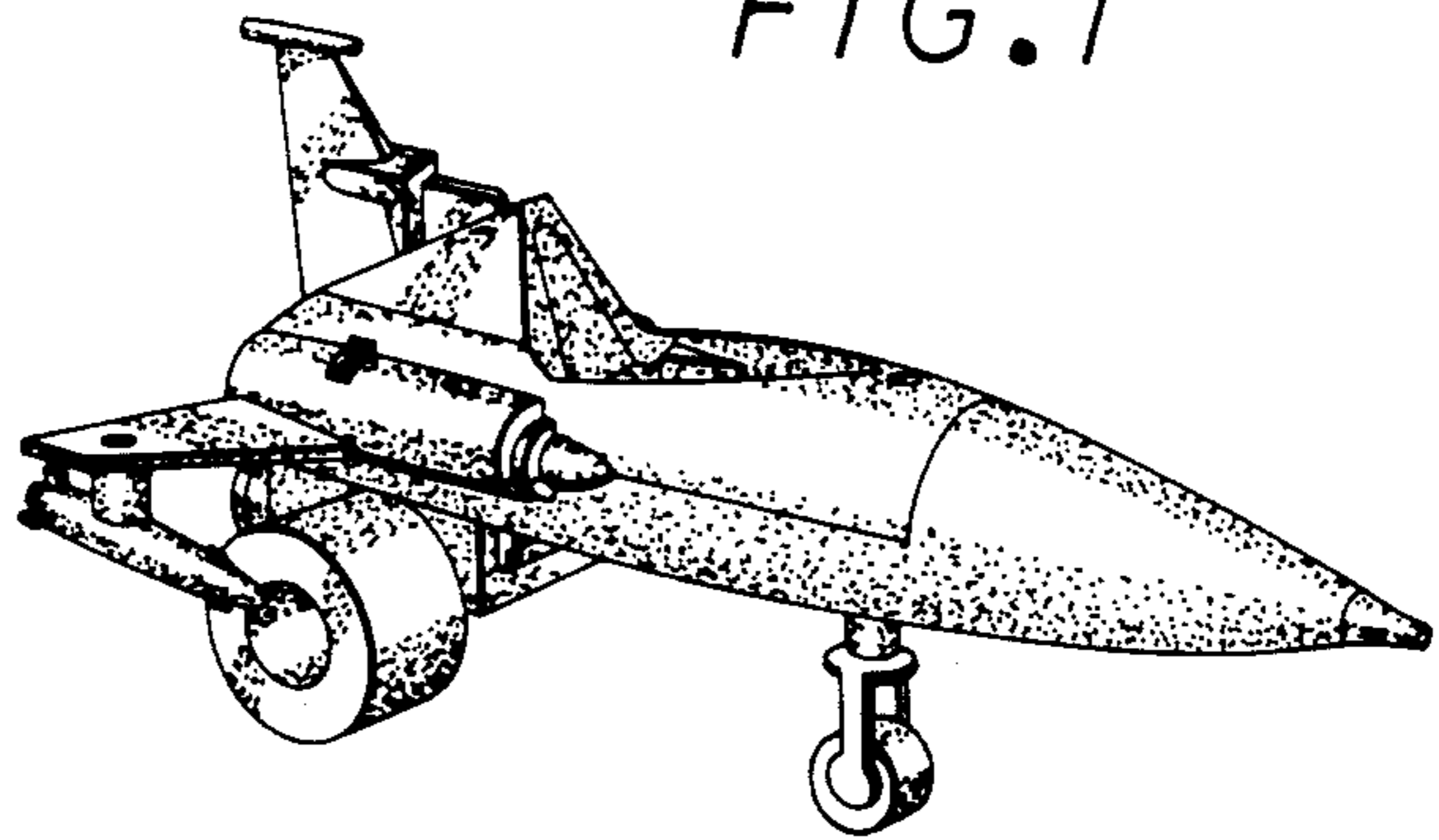


FIG. 2

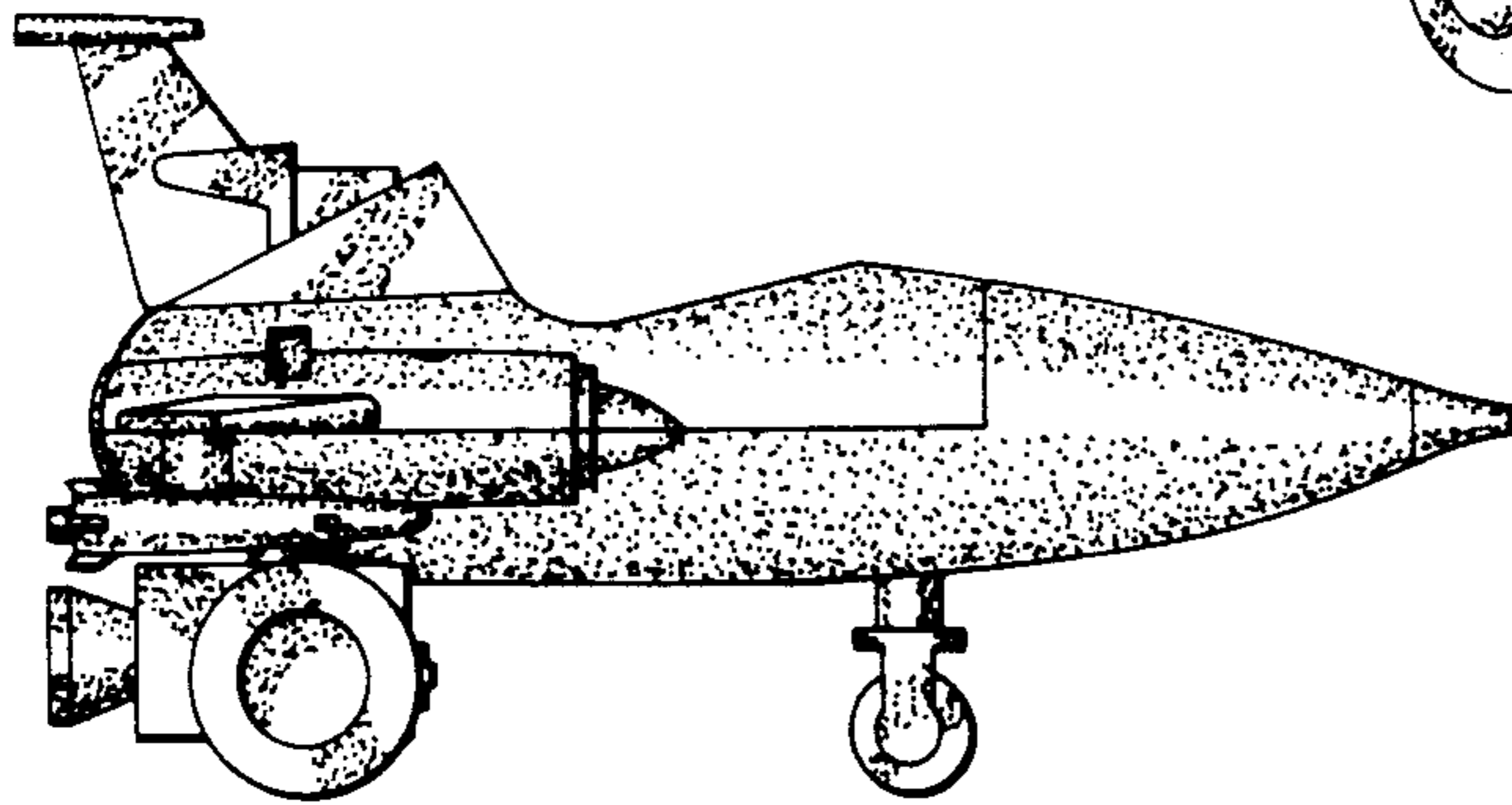


FIG. 3

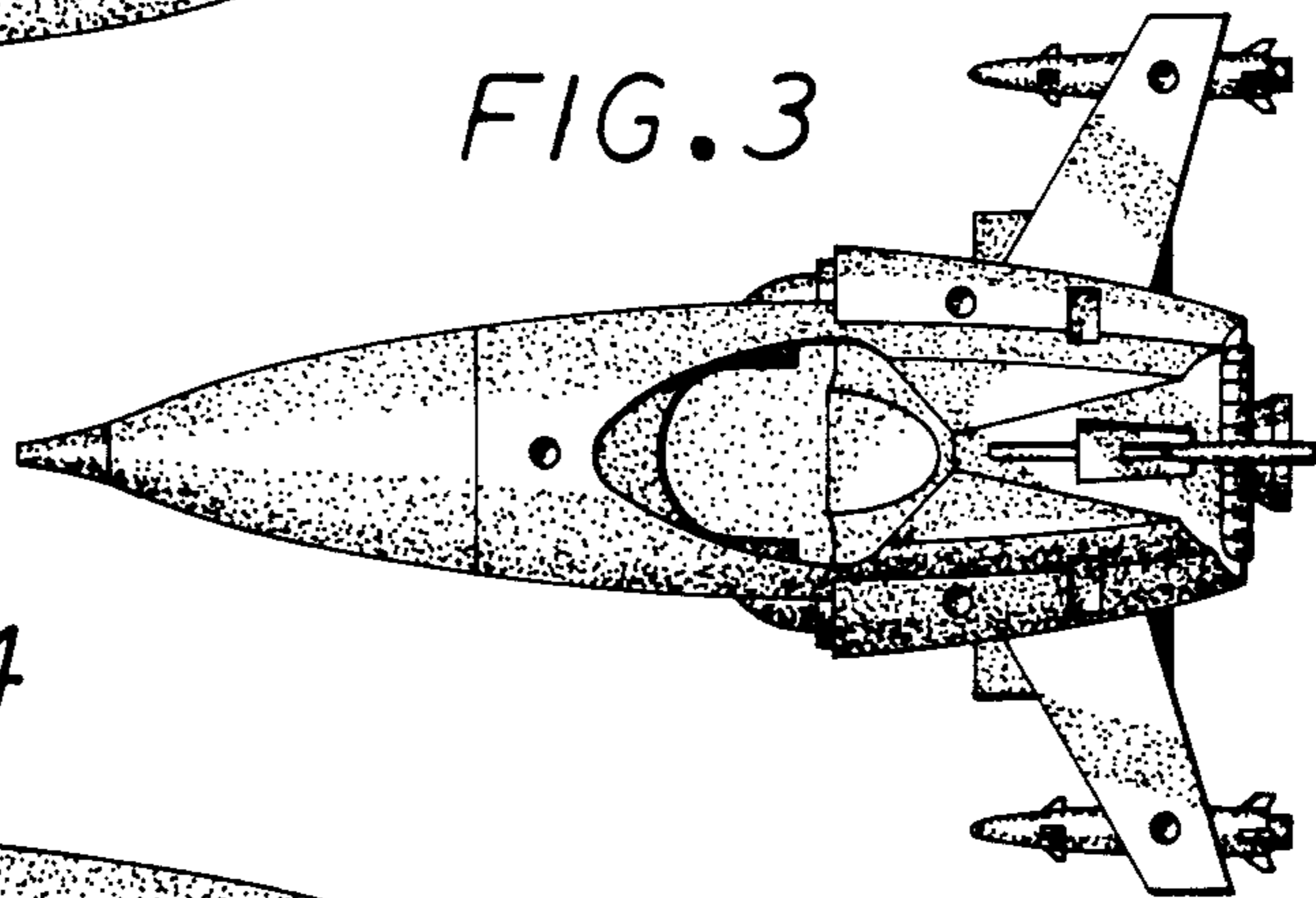


FIG. 4

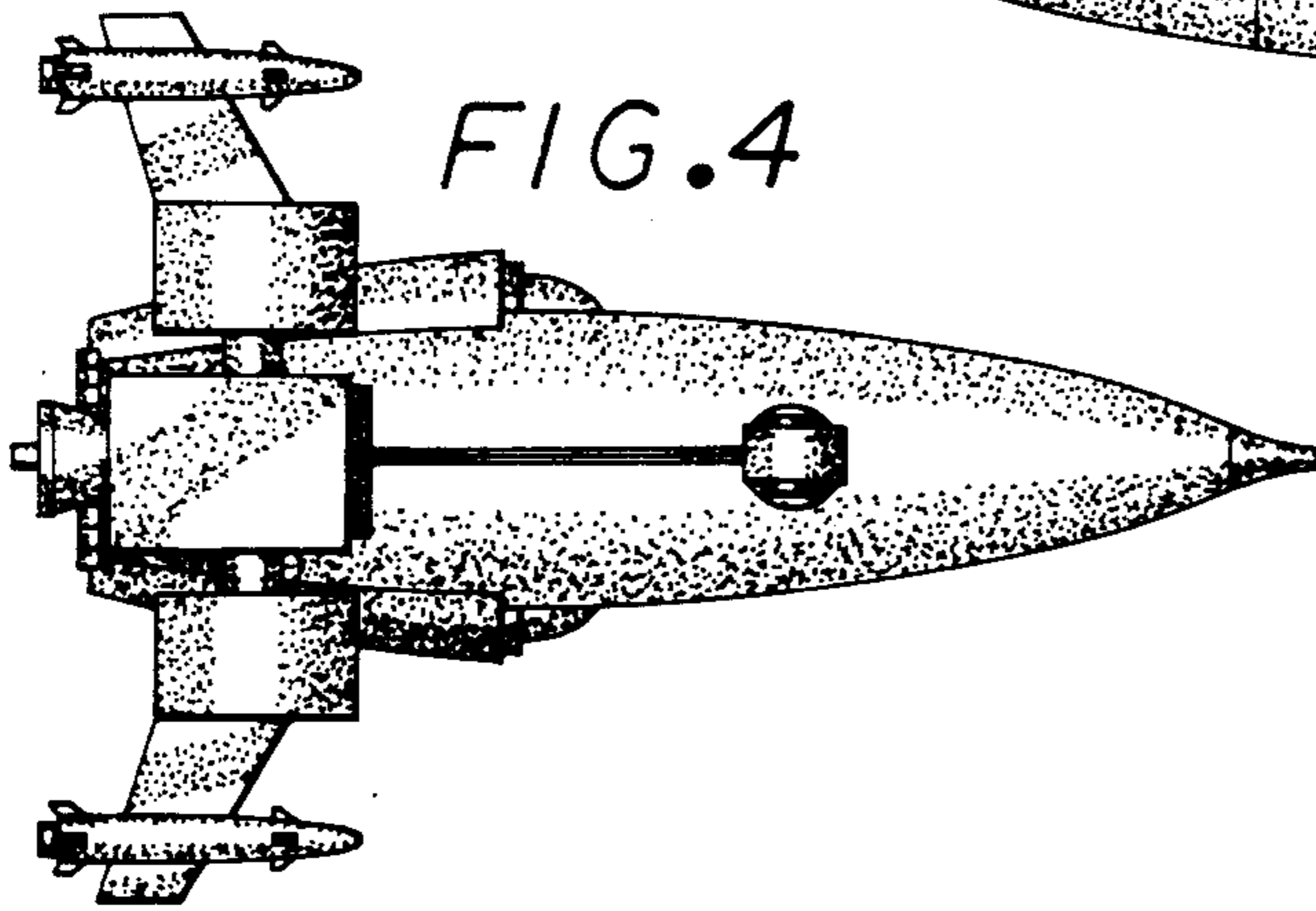


FIG. 5

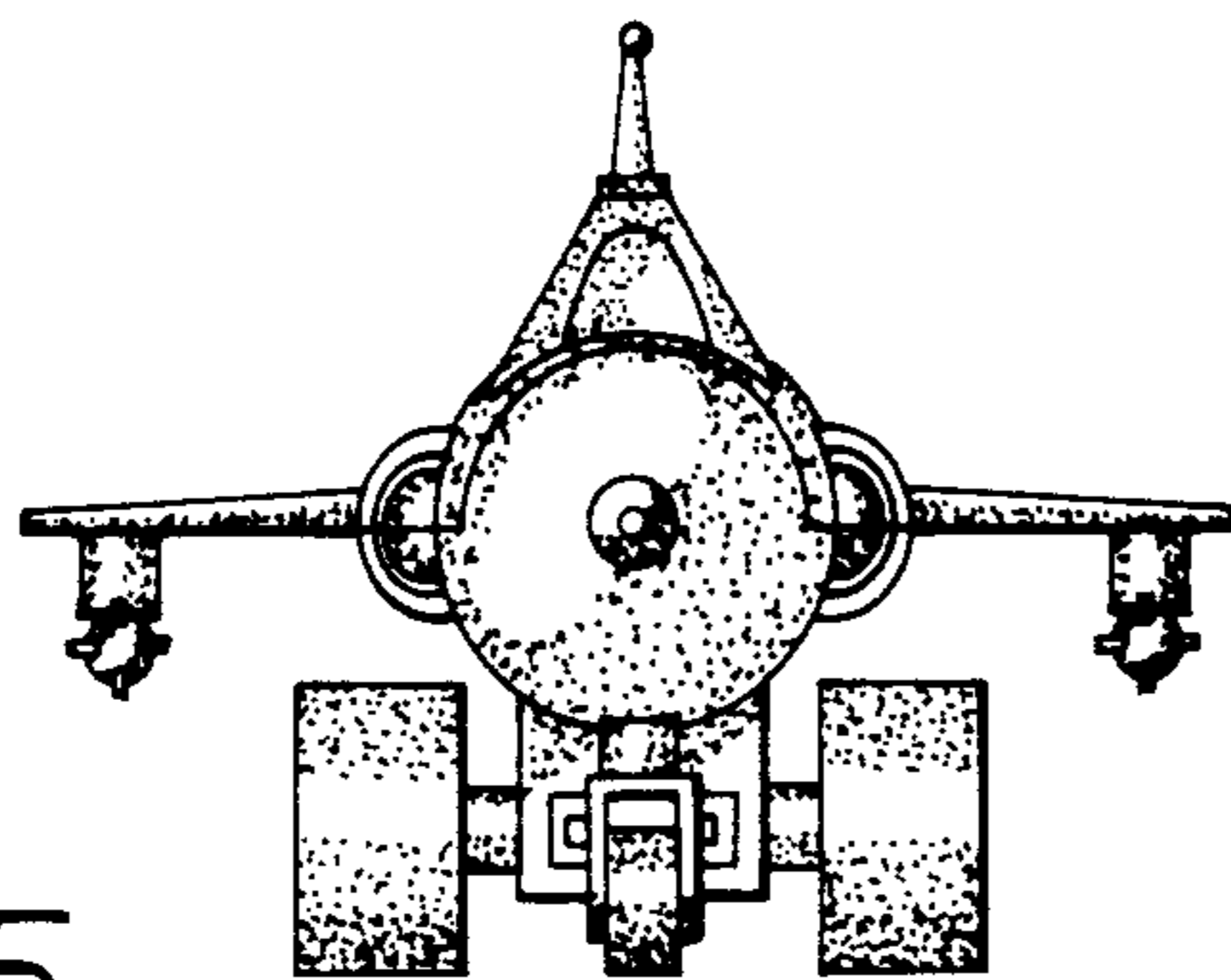


FIG. 6

