

[54] PUMP DISPENSER FOR SODA FOUNTAINS

[75] Inventor: James W. Brutsman, Cheyenne, Wyo.

[73] Assignee: Wyott Corporation, Cheyenne, Wyo.

[**] Term: 14 Years

[21] Appl. No.: 807,541

[22] Filed: Jun. 17, 1977

[51] Int. Cl. D15-08

[52] U.S. Cl. D15/120

[58] Field of Search 222/340; D15/111, 120, D15/116, 119, 115, 121

[56] References Cited

U.S. PATENT DOCUMENTS

D. 249,948	10/1978	Brutsman	D15/111
2,710,119	6/1955	Steele	222/340
2,797,849	7/1957	Steele	222/340

OTHER PUBLICATIONS

Institutions/Volume Feeding, Jul. 15, 1975, p. 26, Wyott Dispensers-(SFL7 or SFL10), bottom row-Soda Fountain Dispenser.

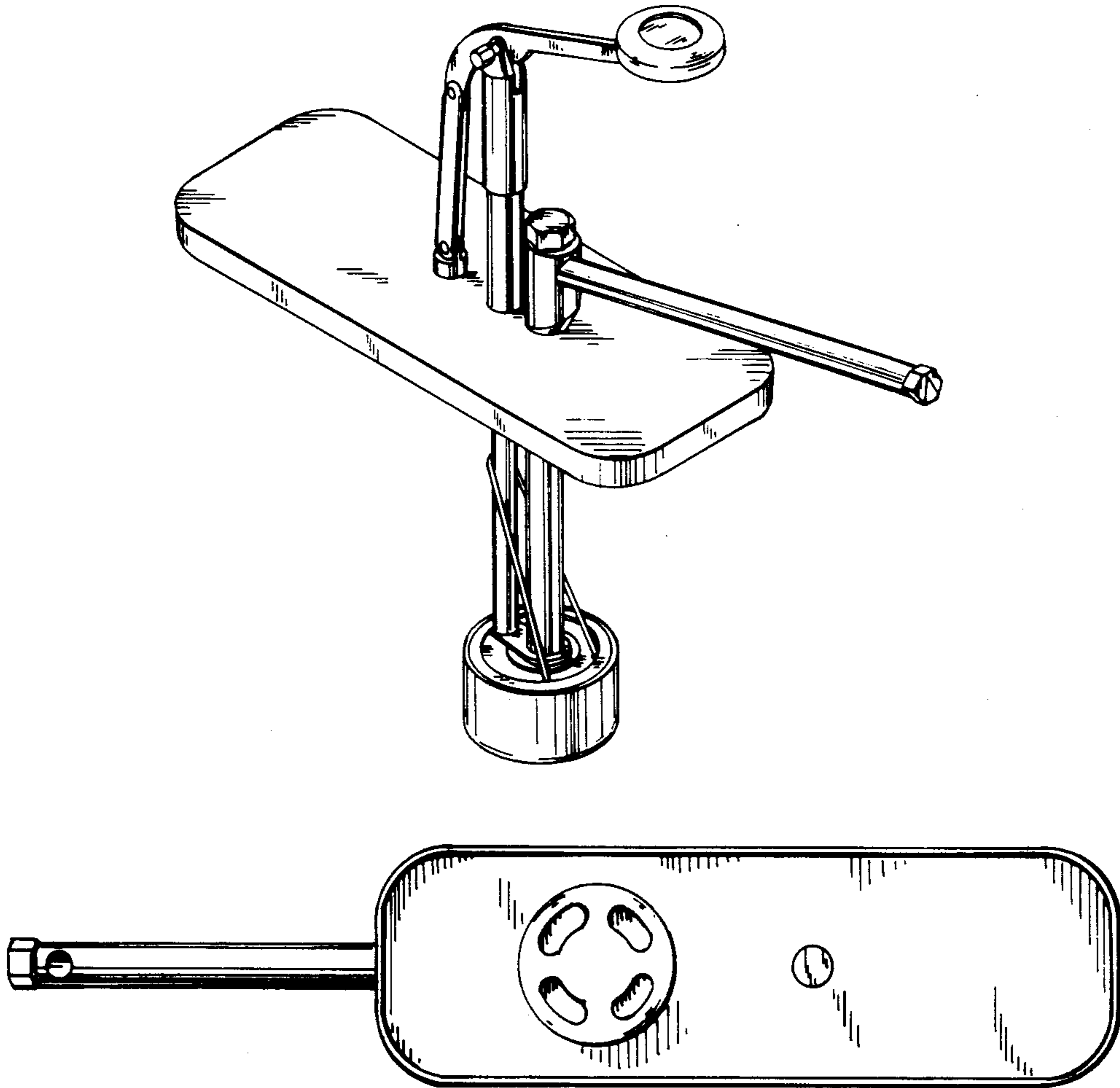
Primary Examiner—Winifred E. Herrmann
Attorney, Agent, or Firm—Edwin L. Spangler, Jr.

[57] CLAIM

The ornamental design for a pump dispenser for soda fountains, as shown.

DESCRIPTION

FIG. 1 is a perspective view of a pump dispenser for soda fountains showing my new design; FIG. 2 is a right side elevation thereof; FIG. 3 is a top plan view thereof; FIG. 4 is a front elevation thereof; FIG. 5 is a rear elevation thereof; and, FIG. 6 is a bottom plan view thereof.



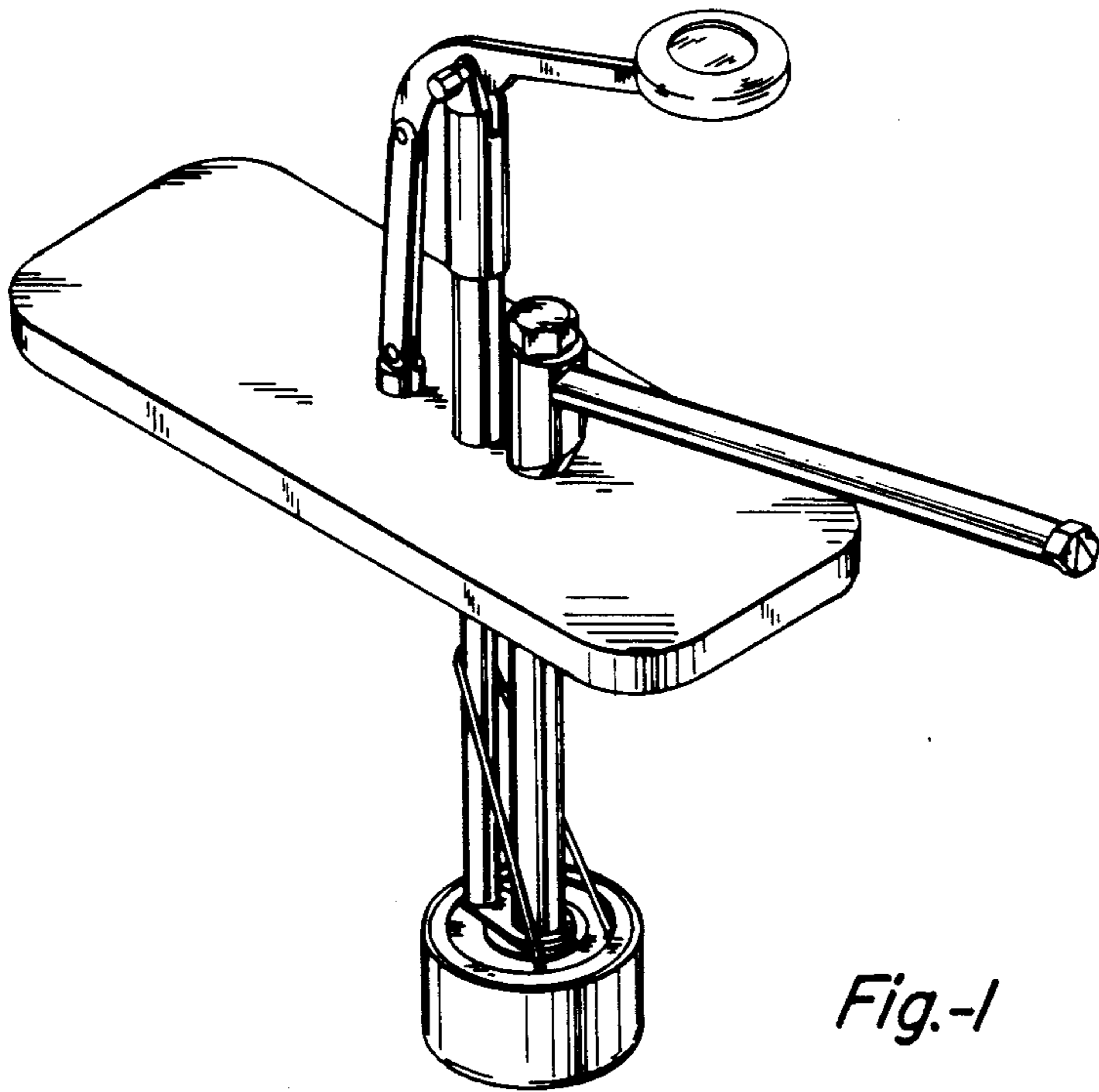


Fig.-1

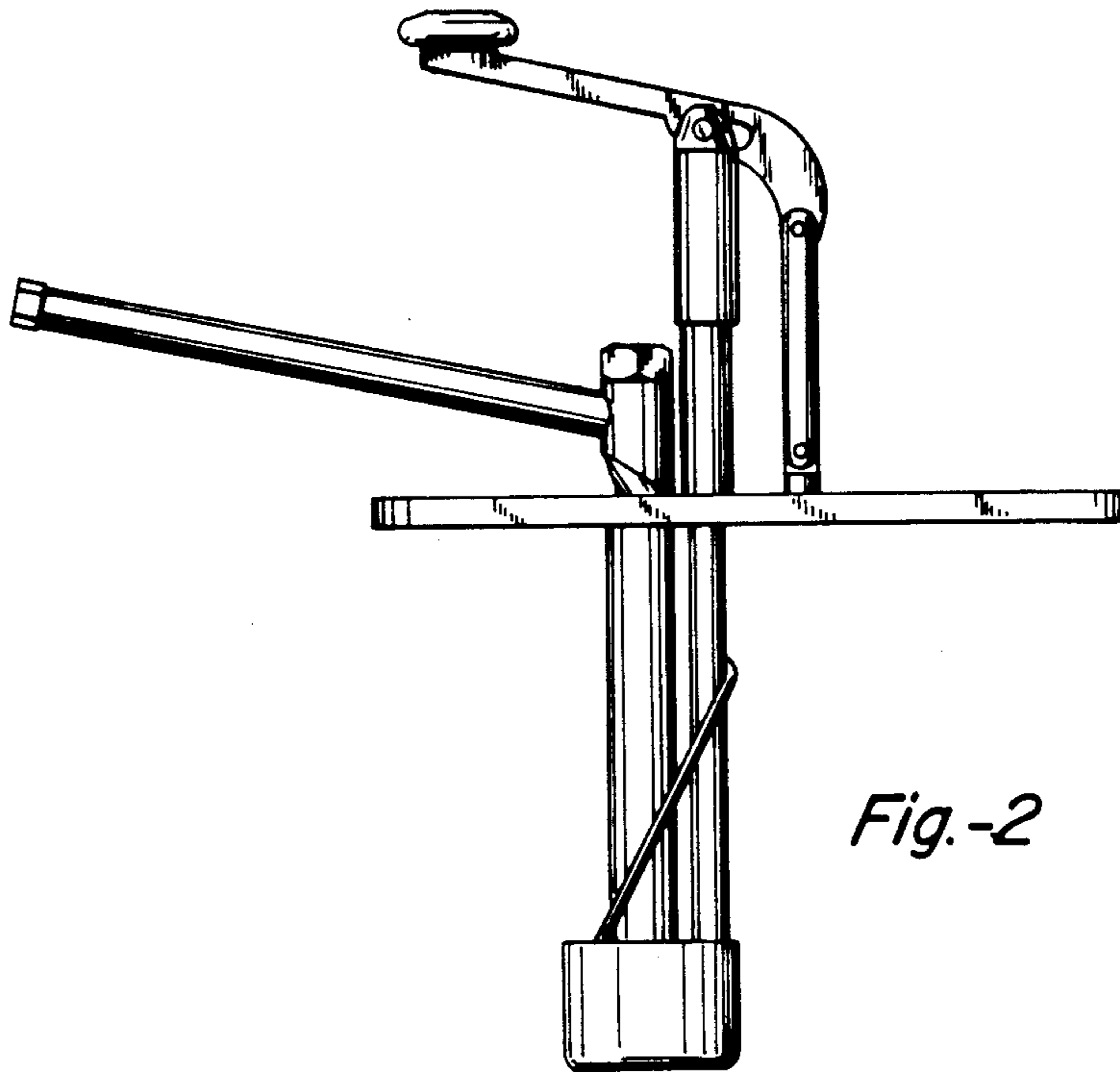
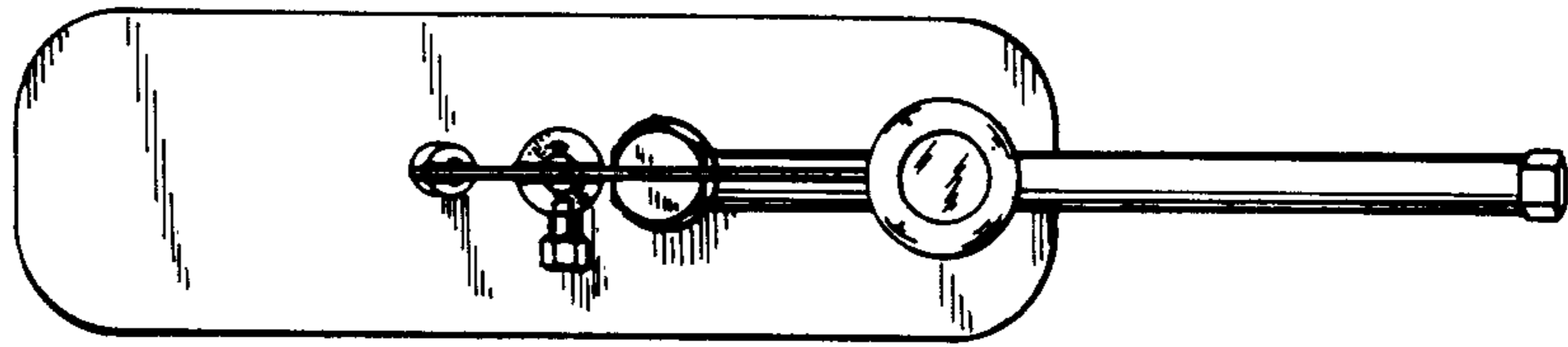
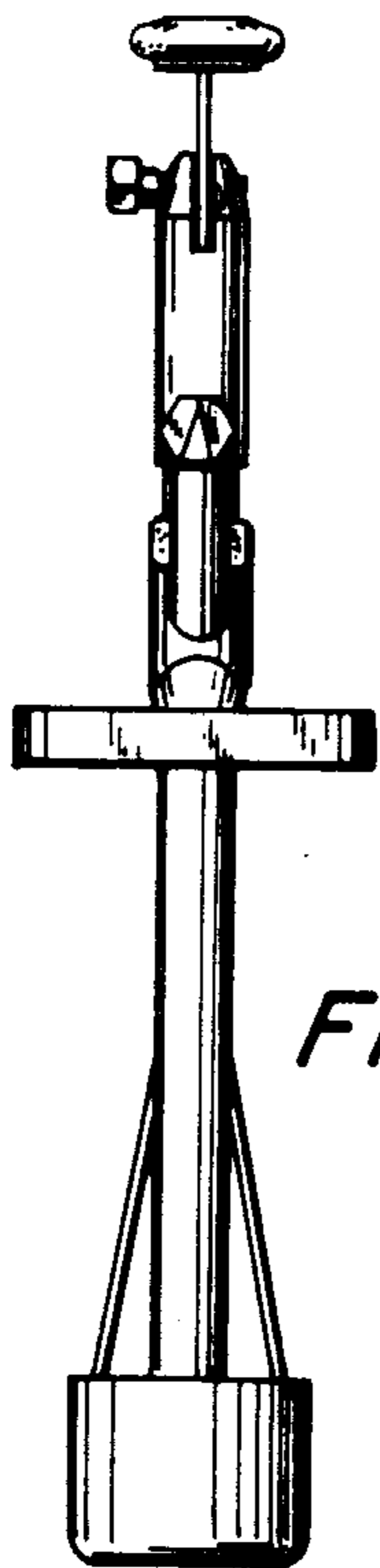


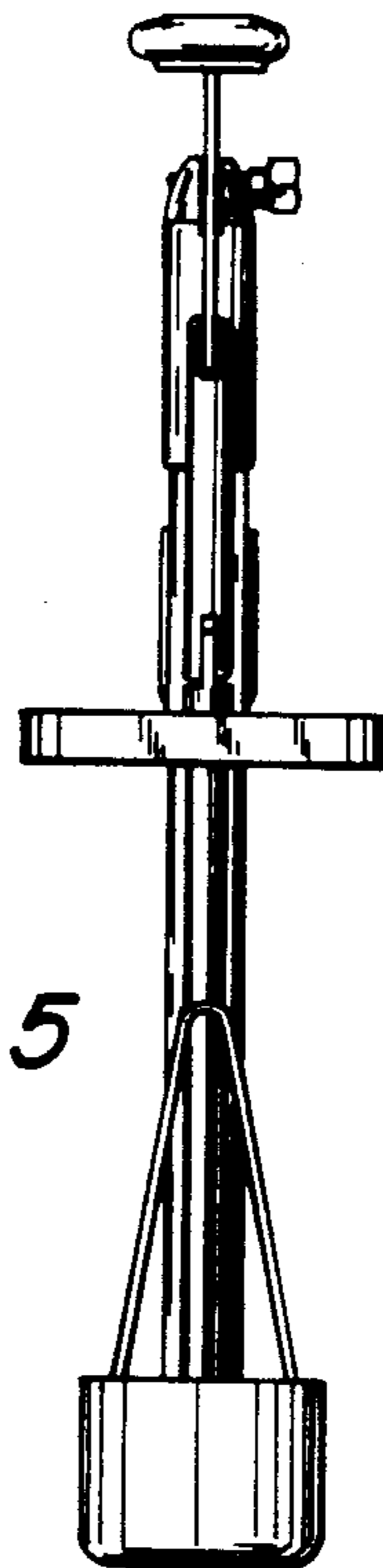
Fig.-2



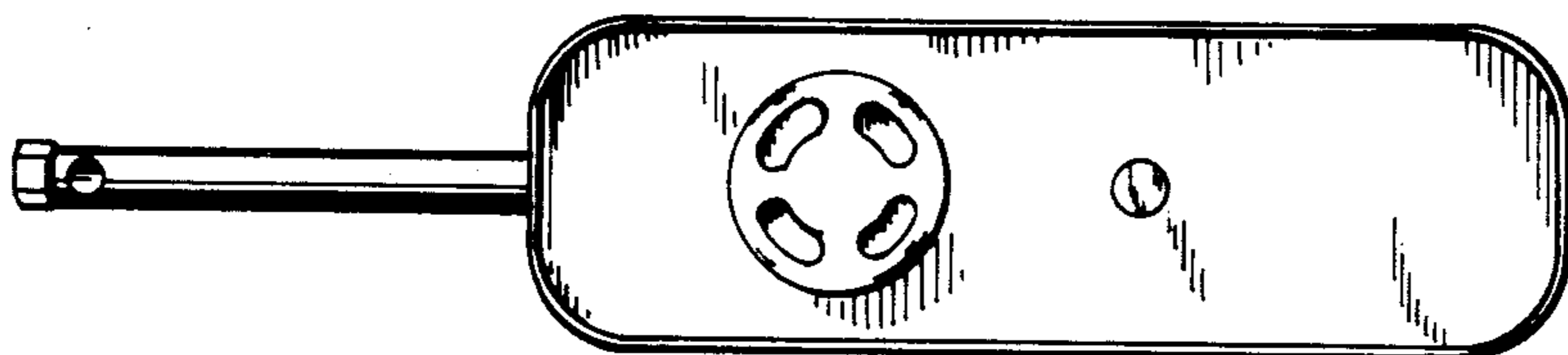
Fig_3



Fig_4



Fig_5



Fig_6