

[54] REFRIGERATOR

[75] Inventors: Motonari Shibata; Yuichi Hirayama, both of Osaka, Japan

[73] Assignees: Matsushita Electric Industrial Co., Ltd., Kadoma; Matsushita Reiki Co., Ltd., Osaka, both of Japan

[**] Term: 14 Years

[21] Appl. No.: 841,852

[22] Filed: Oct. 13, 1977

[30] Foreign Application Priority Data

May 20, 1977 [JP] Japan 52-19543

[51] Int. Cl. D15-07

[52] U.S. Cl. D15/88

[58] Field of Search D15/81, 88; 312/236; 62/440, 457

[56]

References Cited

PUBLICATIONS

Evans Catalog, P320-X, Refrigerator [G], bottom left side of page.

1977 J. C. Penny Fall & Winter Catalog, ©1977, p. 996, Refrigerator [2], bottom left side of page.

Primary Examiner—James M. Gandy

Attorney, Agent, or Firm—Richard C. Sughrue

[57]

CLAIM

The ornamental design for a refrigerator, as shown and described.

DESCRIPTION

FIG. 1 is a front, top and right side perspective view of a refrigerator showing our new design, with the refrigerator door fully closed;

FIG. 2 is a bottom plan view thereof;

FIG. 3 is a rear elevational view thereof;

FIG. 4 is a right side elevational view thereof;

FIG. 5 is front, top and left side perspective view thereof, with the refrigerator door partially open; and

FIG. 6 is a front elevational view thereof with the refrigerator door fully open.

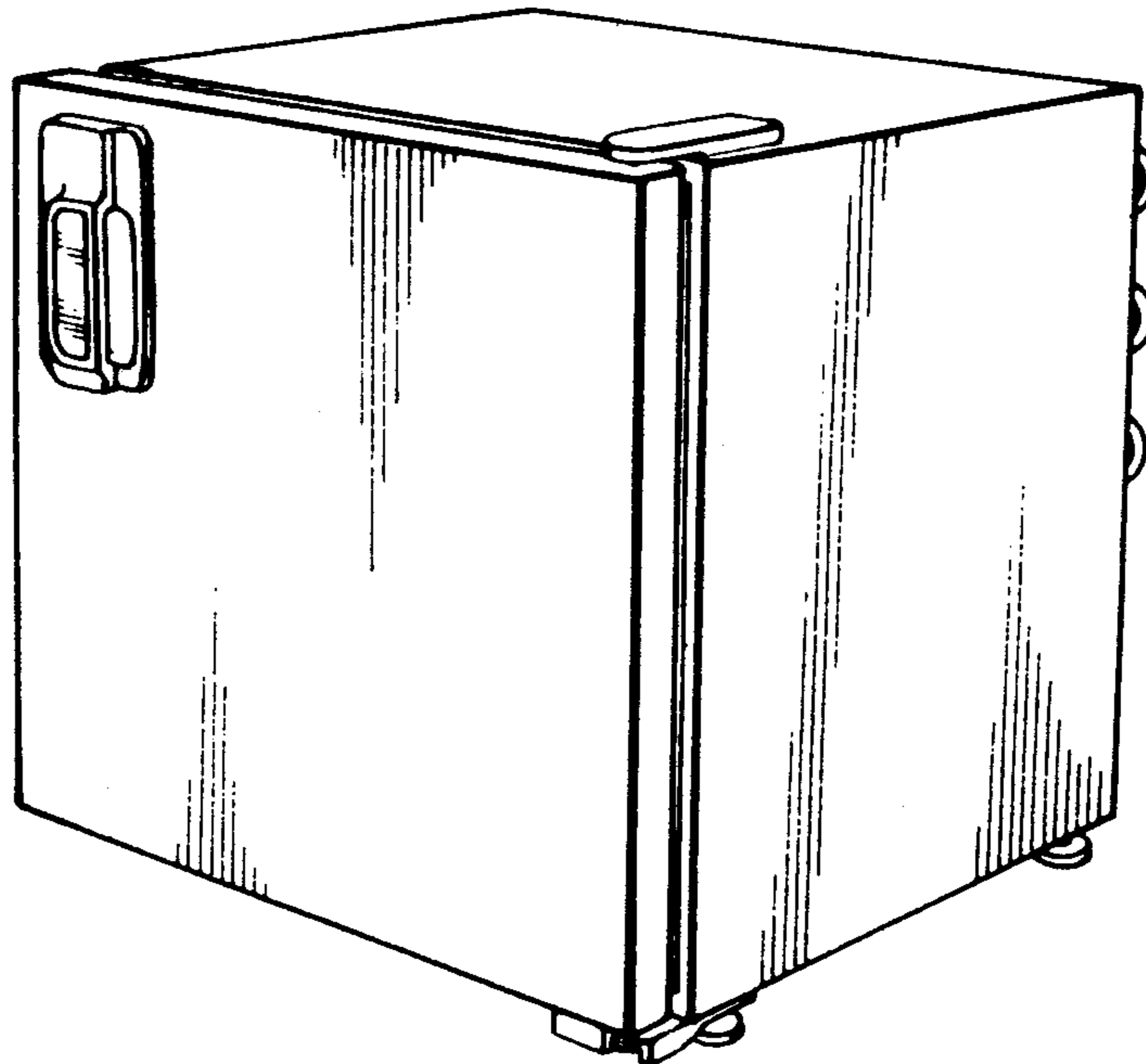


FIG. 1

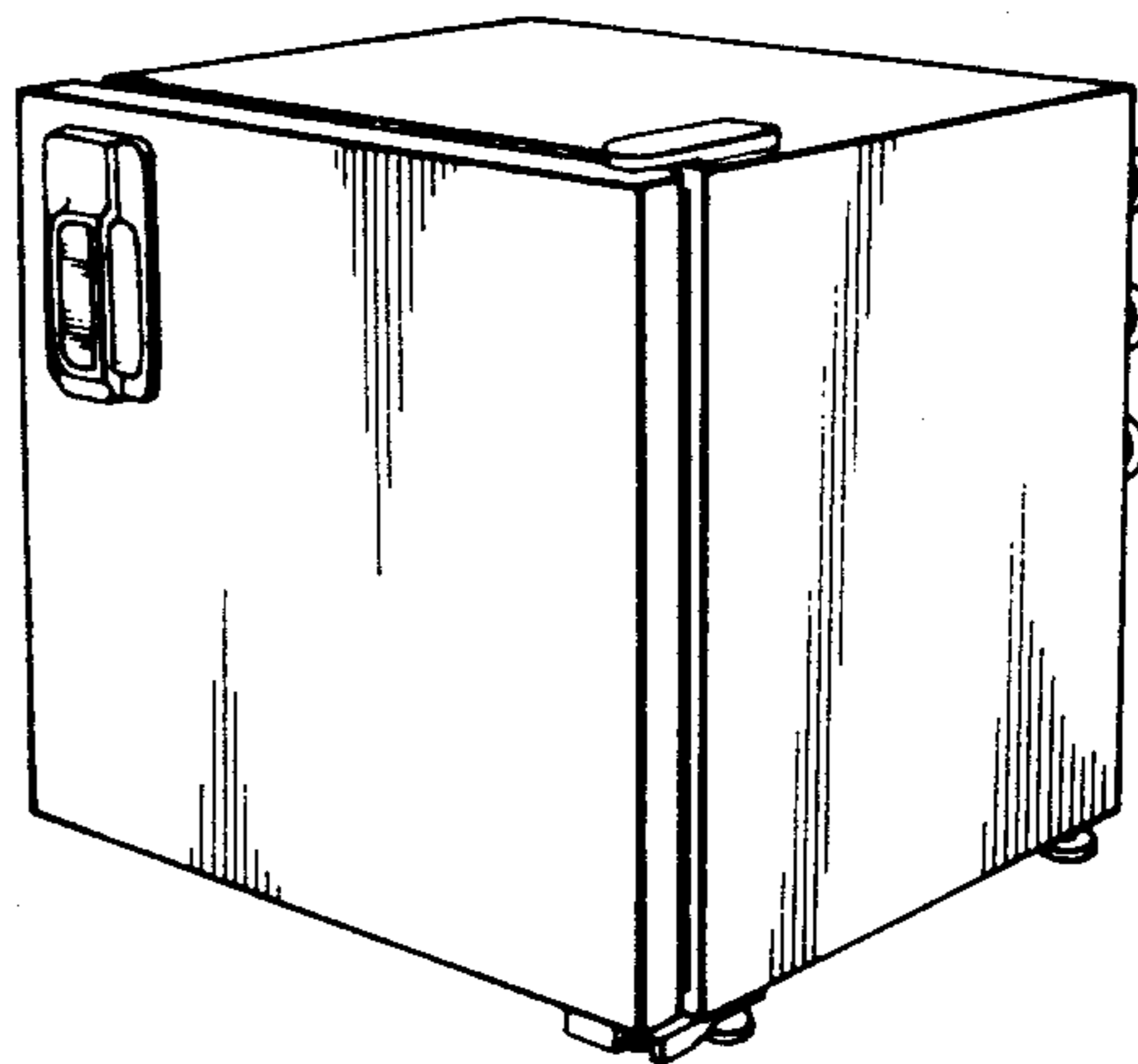


FIG. 2

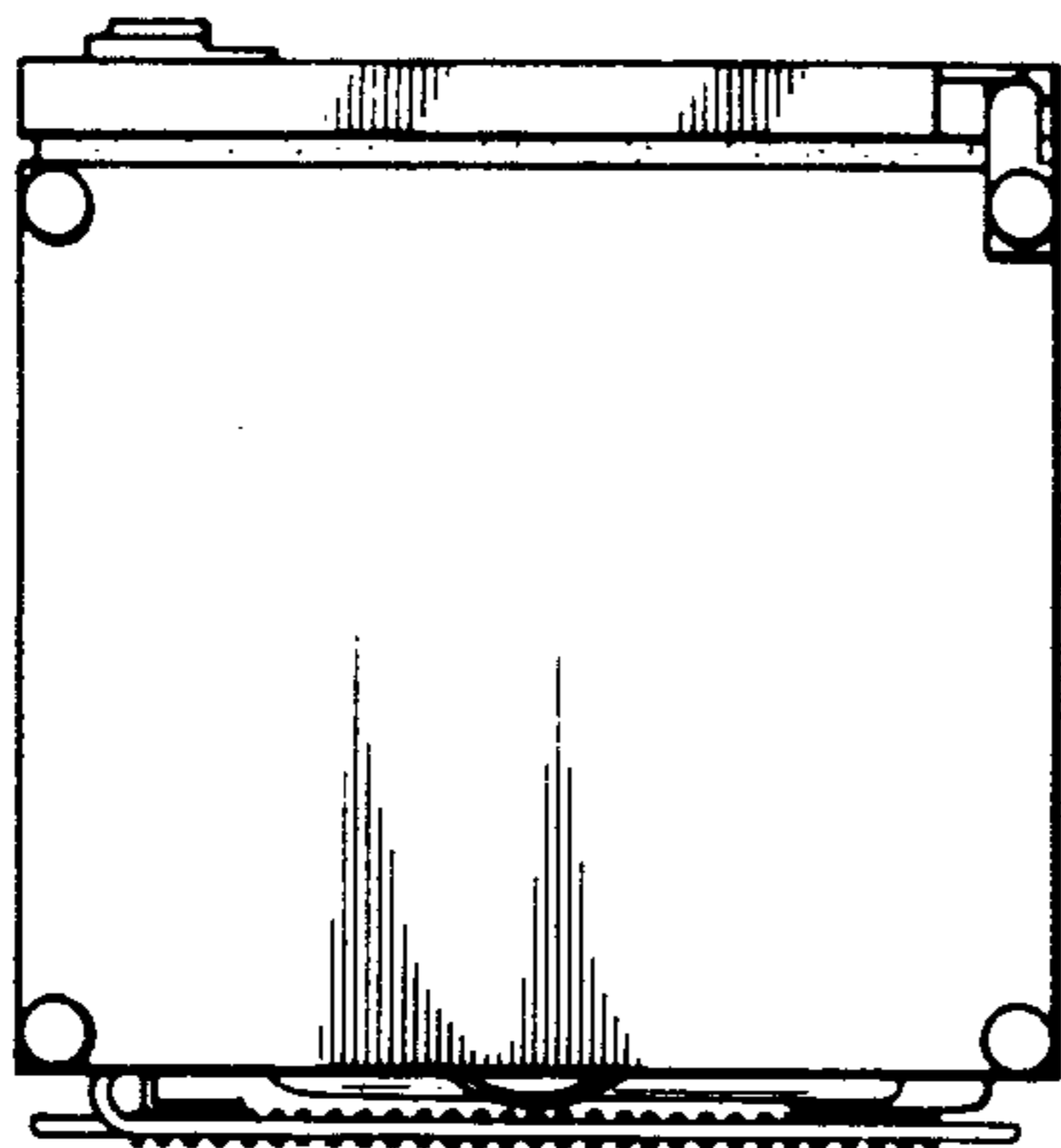


FIG. 3

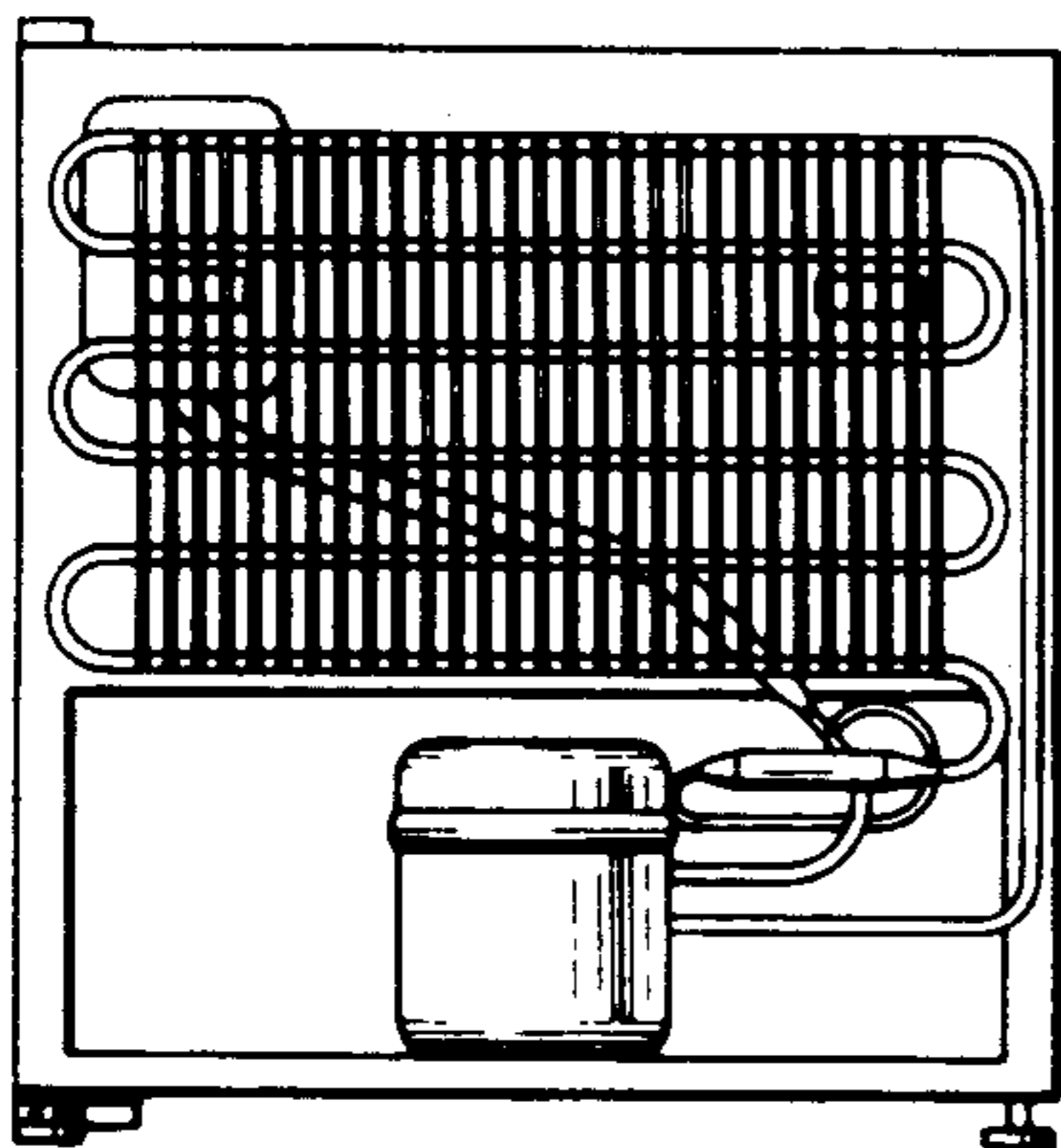


FIG. 4

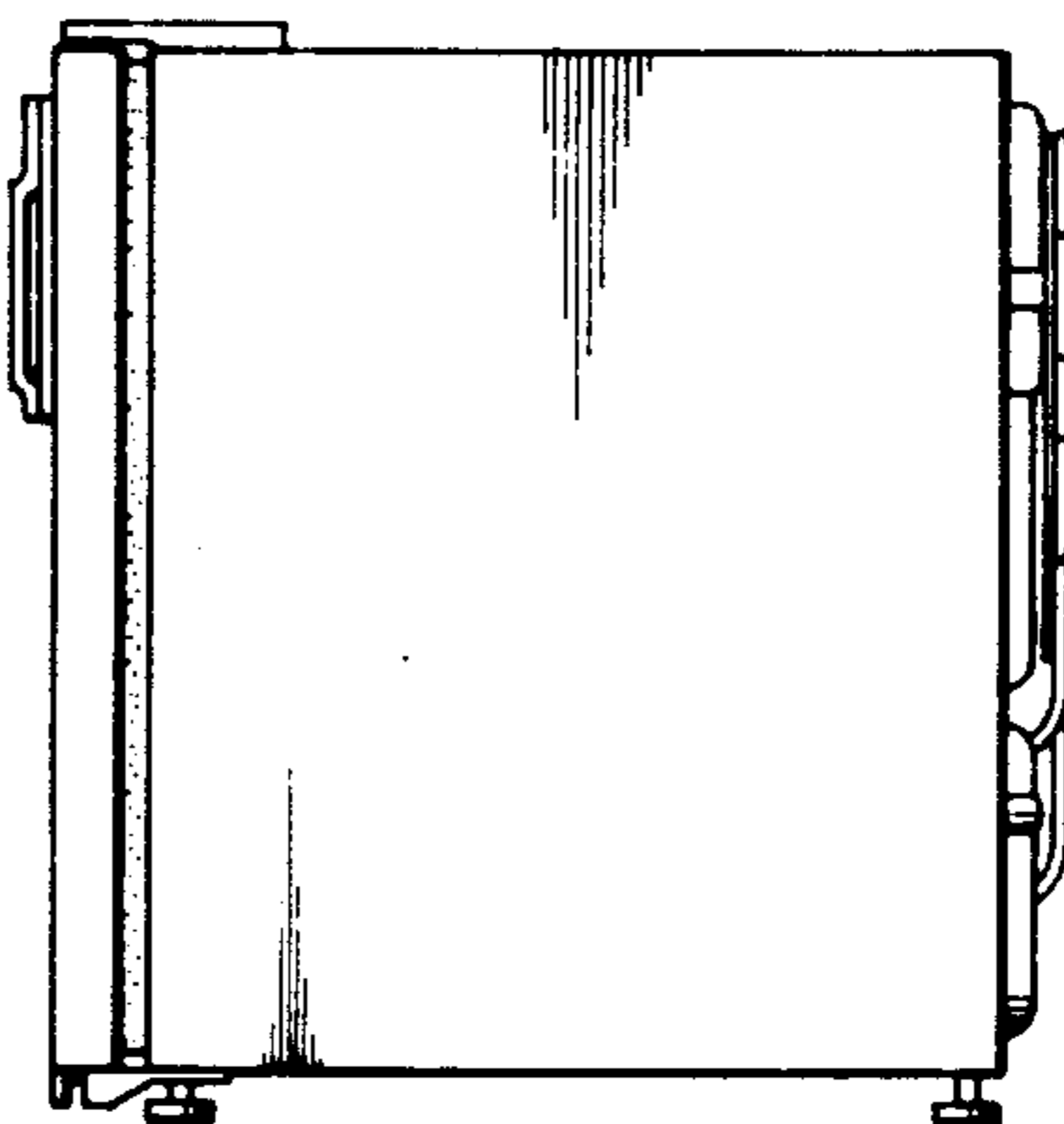


FIG. 5

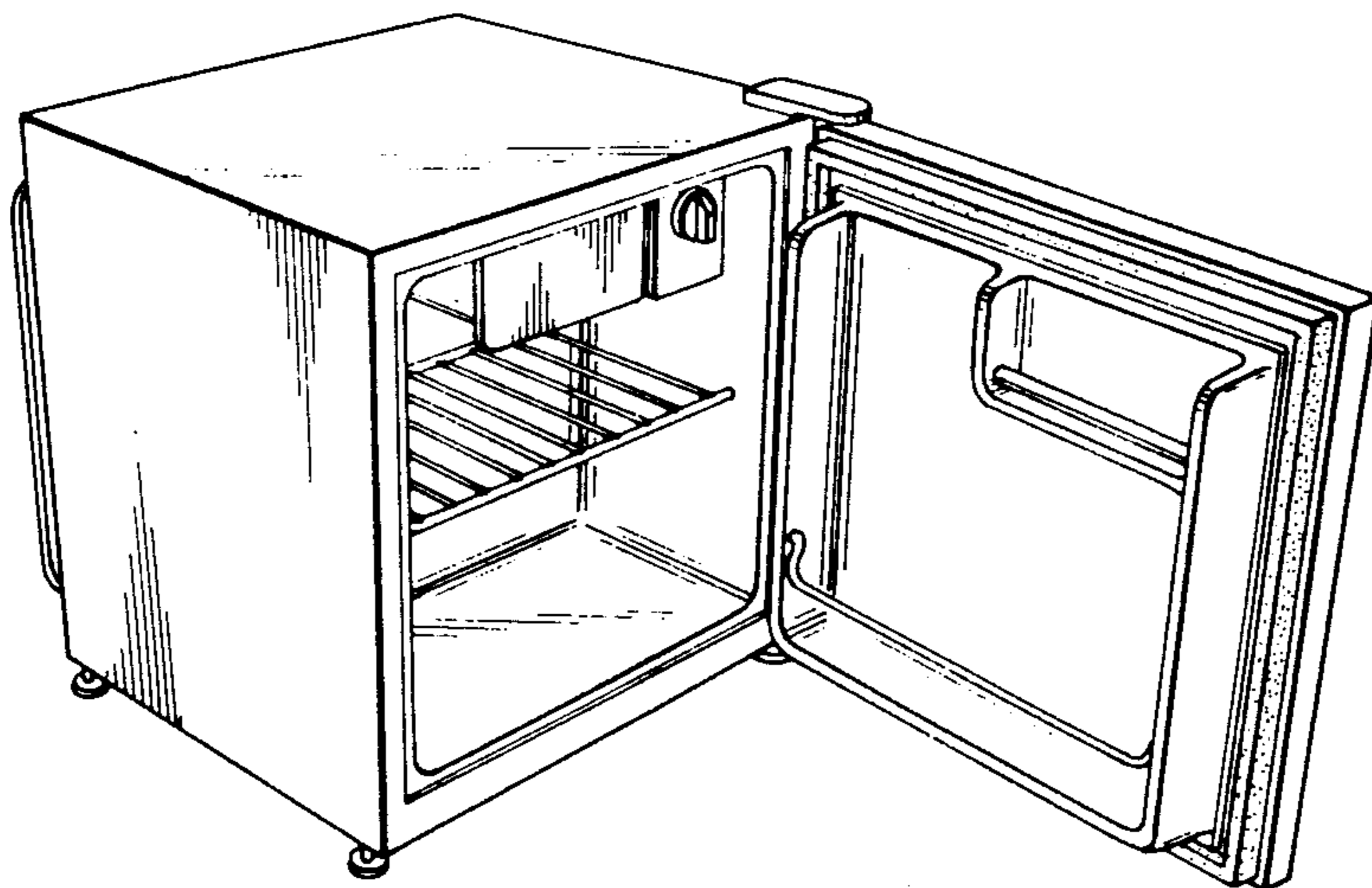


FIG. 6

