

- [54] **DOOR-ACTUATED ACTIVATOR FOR FLASHLAMP ARTICLE**
- [75] Inventors: **Andre C. Bouchard, Peabody; Harold H. Hall, Jr., Marblehead, both of Mass.**
- [73] Assignee: **GTE Sylvania Incorporated, Stamford, Conn.**
- [\*\*] Term: **14 Years**
- [21] Appl. No.: **839,429**
- [22] Filed: **Oct. 5, 1977**
- [51] Int. Cl. .... **D10-06; D13-03**
- [52] U.S. Cl. .... **D10/121; D10/106; D13/32; D13/36**
- [58] Field of Search ..... **D16/10, 38; D10/104, D10/106, 109, 111, 121; 116/2, 4, 5, 7, 15, 85, 86, 87, 89, 101, 104, 105; 431/357-365; 362/11, 13, 14, 15; 340/531; D8/402; D13/36, 32**

[56] **References Cited**

**U.S. PATENT DOCUMENTS**

428,693	5/1890	Reiff .....	116/87 X
488,162	12/1892	Climenson .....	116/87 X
680,190	8/1901	Britton .....	116/87 X
1,016,034	1/1912	Reiff .....	116/87 X
4,116,615	9/1978	Hall, Jr. et al. ....	116/7 X

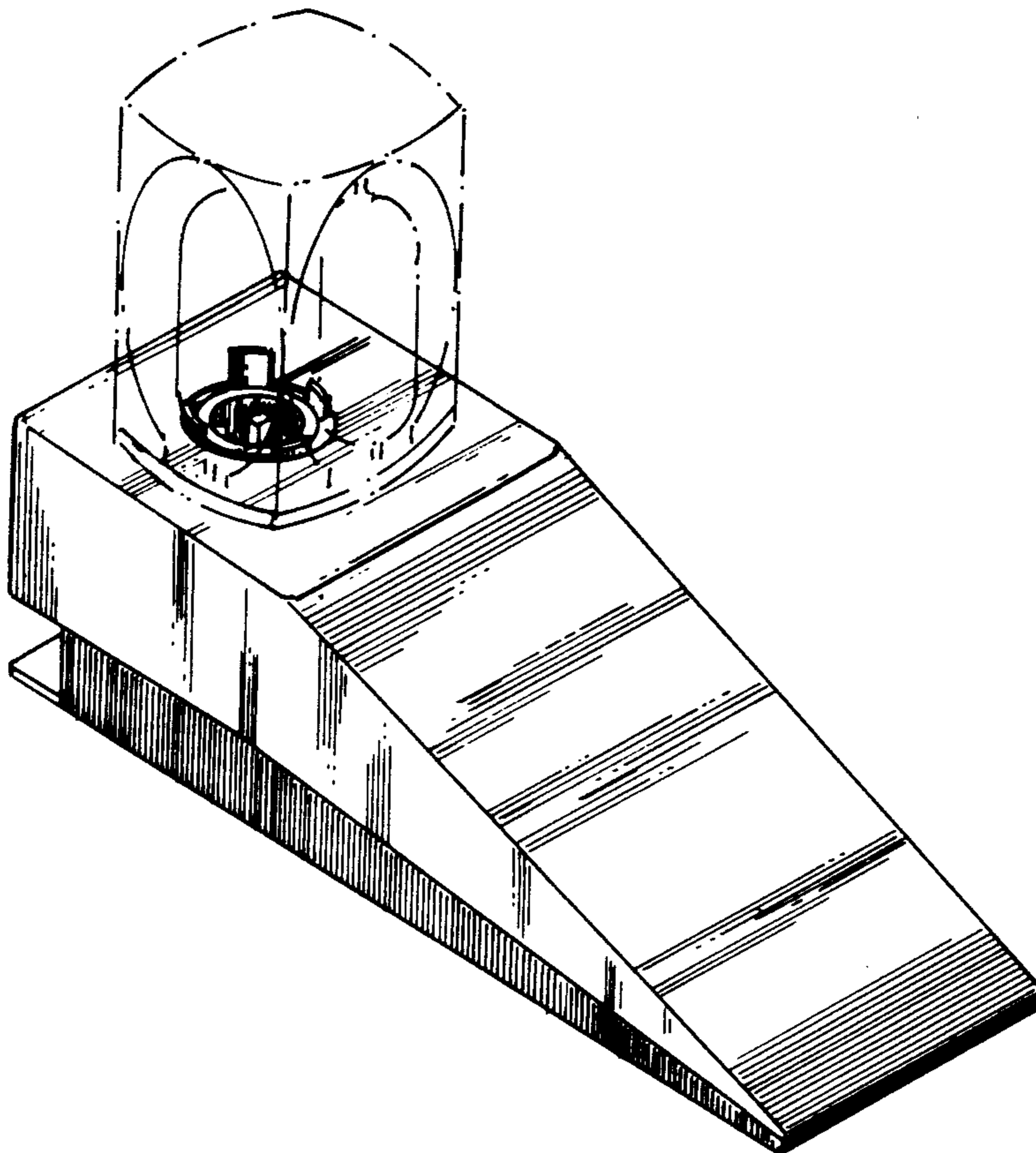
*Primary Examiner*—Susan J. Lucas  
*Assistant Examiner*—Catherine Kemper  
*Attorney, Agent, or Firm*—Lawrence R. Fraley

[57] **CLAIM**

The ornamental design for a door-actuated activator for flashlamp article, as shown and described.

**DESCRIPTION**

FIG. 1 is an isometric view of a door-actuated activator for flashlamp article in accordance with our design;  
 FIG. 2 is a top view thereof;  
 FIG. 3 is a side elevational view thereof;  
 FIG. 4 is a bottom view thereof;  
 FIG. 5 is a front elevational view thereof; and  
 FIG. 6 is a rear elevational view thereof.  
 The broken line disclosure of a flashlamp article in FIG. 1 is for illustrative purposes only and forms no part of the claimed design.



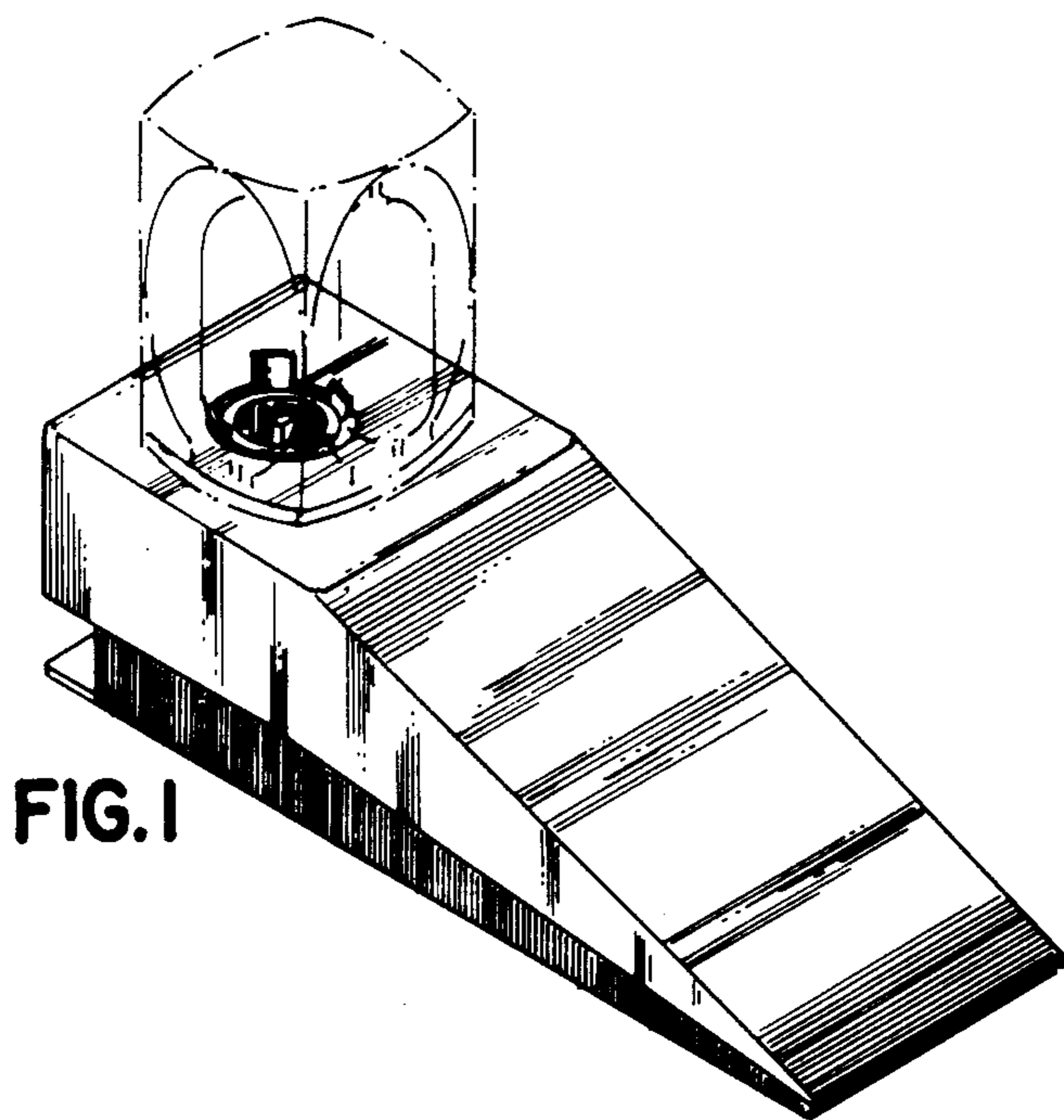


FIG. 1

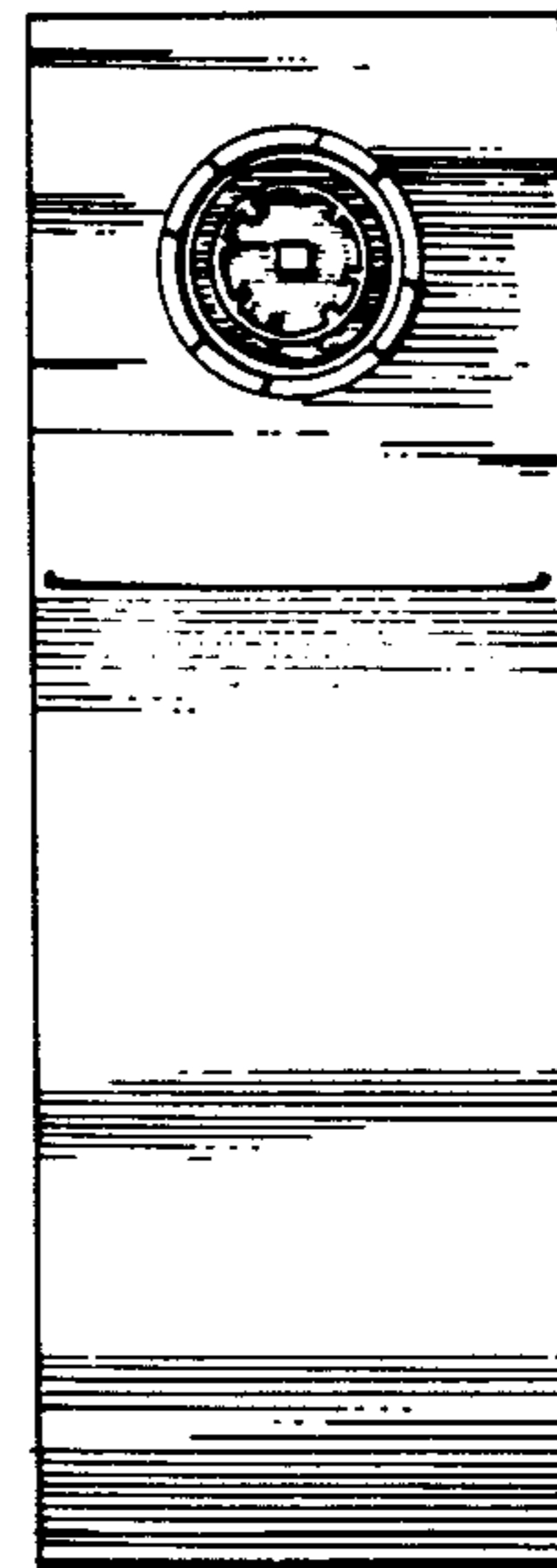


FIG. 2

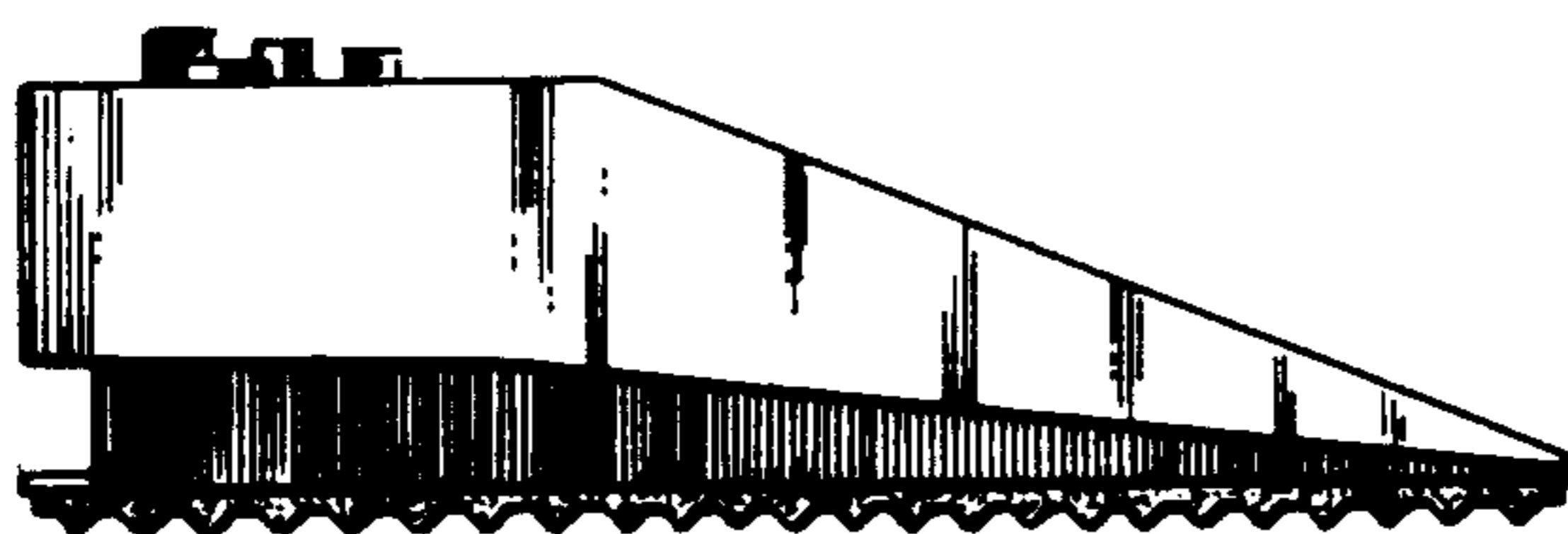


FIG. 3

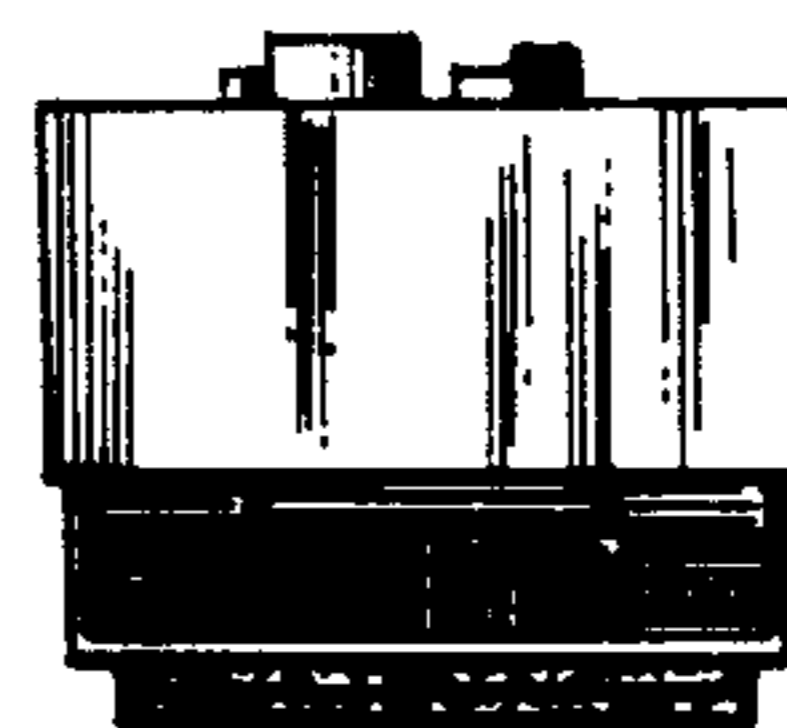


FIG. 5

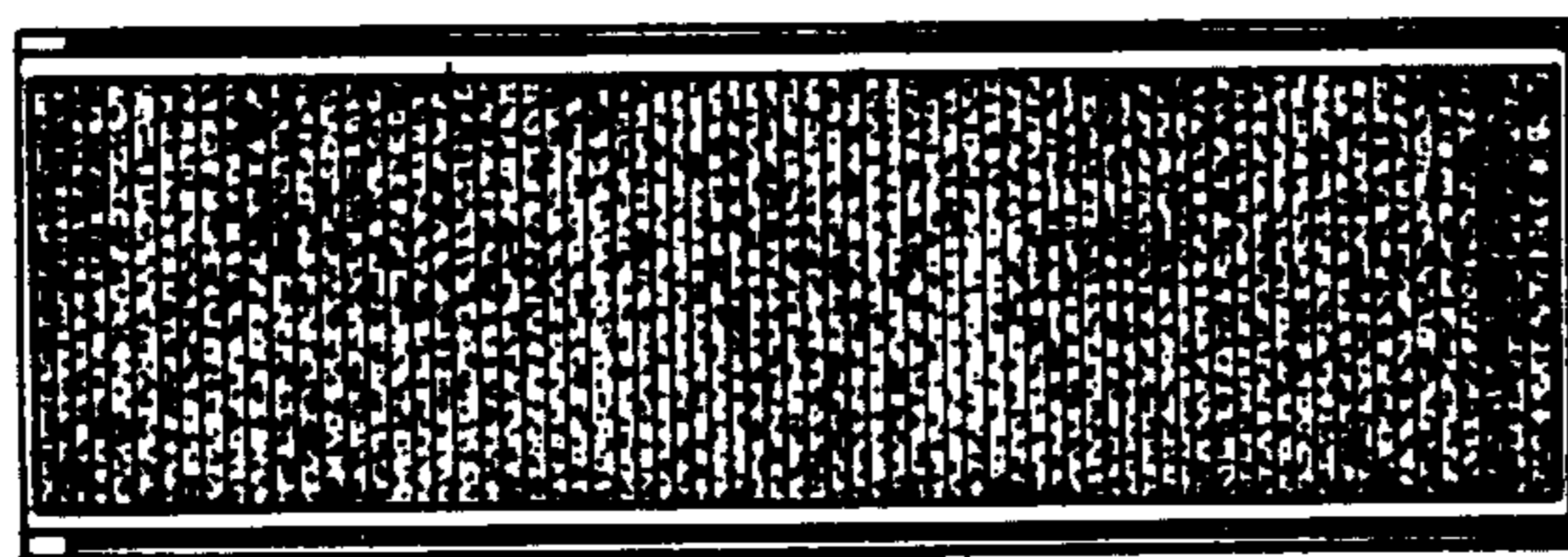


FIG. 4

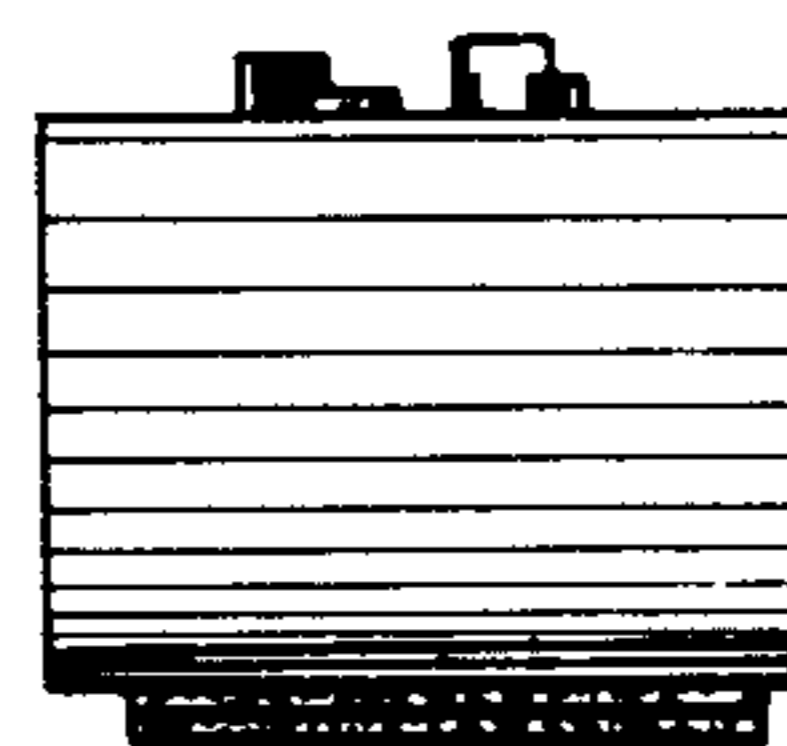


FIG. 6