

[54] SCALE

3,838,744 10/1974 Tanji 177/210 R X
4,082,153 4/1978 Provi 177/DIG. 3 X

[75] Inventor: Peter Ackeret, Küssnacht,
Switzerland

Primary Examiner—Nelson C. Holtje
Attorney, Agent, or Firm—H. Dale Palmatier

[73] Assignee: Ackeret Design & Engineering,
Ebmingen, Switzerland

[57] CLAIM

[**] Term: 14 Years

The ornamental design for a scale, as shown and de-
scribed.

[21] Appl. No.: 847,944

DESCRIPTION

[22] Filed: Nov. 2, 1977

[51] Int. Cl. D10-04

FIG. 1 is a top and right front isometric view of a scale
showing my new design;

[52] U.S. Cl. D10/92

FIG. 2 is a top plan view thereof;

[58] Field of Search D10/87, 88, 89, 90,
D10/91, 92, 93, 94; 177/DIG. 3, 239, 210 R

FIG. 3 is a right side elevational view thereof as taken
from arrow III of FIG. 2;

FIG. 4 is a left side elevational view thereof as taken
from arrow IV of FIG. 2;

[56] References Cited

U.S. PATENT DOCUMENTS

2,039,527	5/1936	Garbell	177/239 X
3,154,159	10/1964	Gardner	177/239 X
3,167,144	1/1965	Jacobs	177/239 X

FIG. 5 is a bottom plan view thereof;

FIG. 6 is a rear elevational view thereof as taken from
arrow VI of FIG. 2;

FIG. 7 is a front elevational view thereof as taken from
arrow VII of FIG. 2.

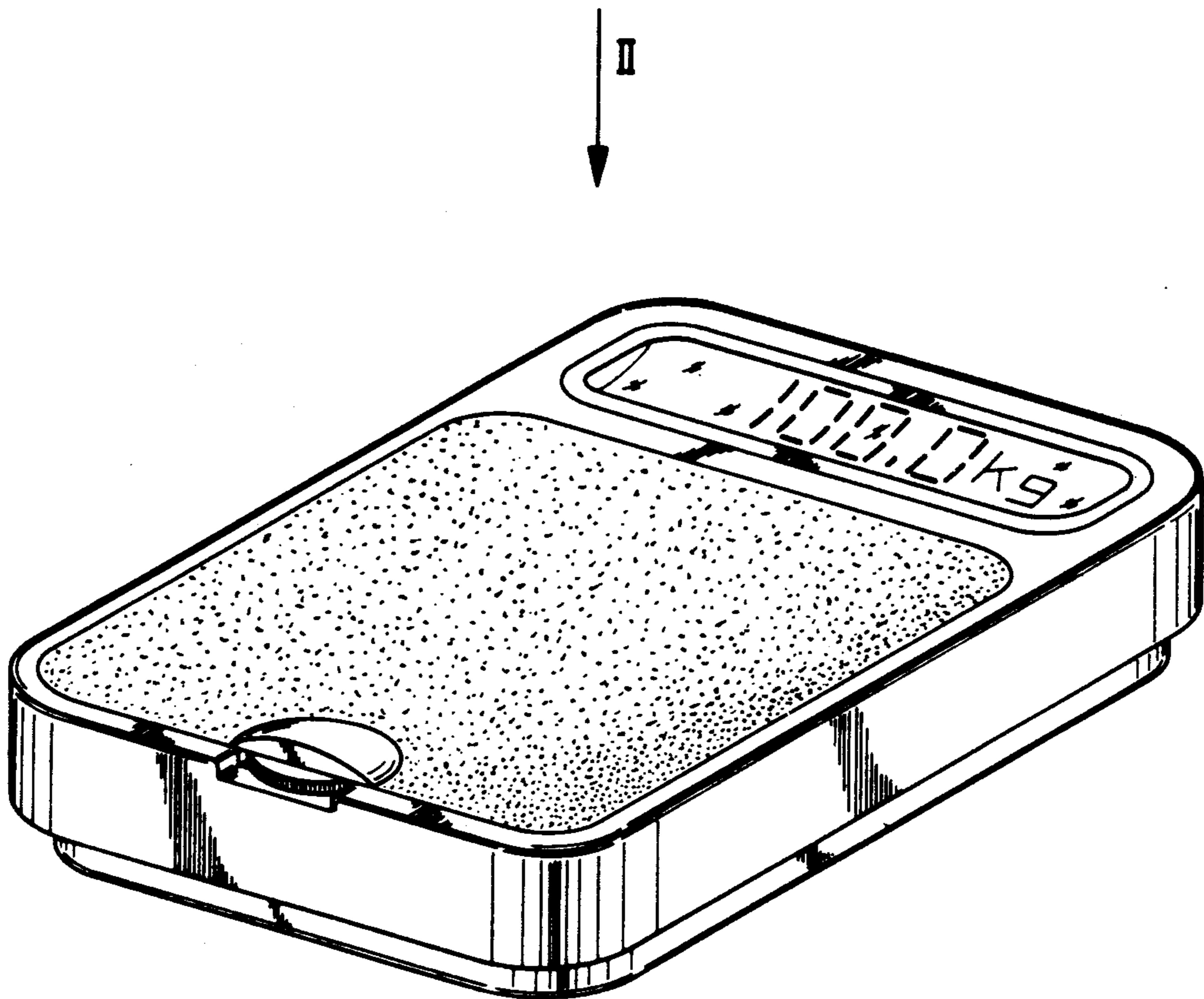


Fig. 1

